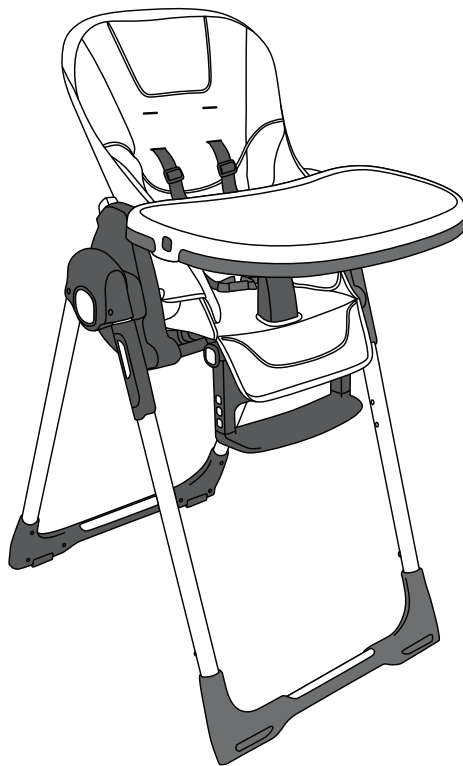


# montana

## highchair

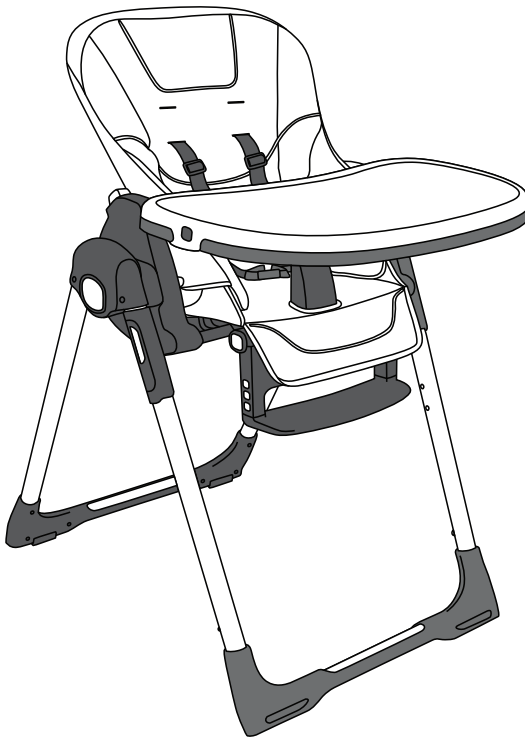


**IMPORTANT!**

BEFORE ASSEMBLING THIS COT, READ AND UNDERSTAND THE INSTRUCTIONS. KEEP THESE INSTRUCTIONS IN A SAFE PLACE FOR FUTURE REFERENCE.

# love<sup>n</sup>care™

Congratulations on purchasing your new Love N Care Montana Highchair. In under an hour you should be able to have this one of kind highchair ready to meet your beautiful child :)





# WARNING!



Before assembling this highchair read and understand the instructions. Incorrect assembly may make the highchair unsafe. Do not use this highchair if any part is broken, torn or missing. Keep these instructions in a safe place for future reference.



## WARNING! FALL HAZARD

- Follow the manufacturer's instructions.
- Never leave the child unattended.
- Hold the child securely at all times when putting the child into the chair or taking him or her out of it. Make sure that the food tray is in the locked position before you let go of the child.
- Always adjust the safety table snugly against the child to prevent the child from climbing out of the high chair.
- The child must not sit in the high chair when the safety tray is in the open position.
- The high chair is not a toy. Never let children play with the chair or use it by themselves.
- Never attempt to move the high chair while the child is still in the chair.
- The high chair should be placed on a level, horizontal floor. To avoid the risk of the high chair tipping over, make sure that the chair's feet can slide on the floor.
- Do not use the high chair unless all components are correctly fitted and adjusted.
- Be aware of the risk of open fire and other sources of strong heat, such as electric bar fires, gas fires etc., in the vicinity of the high chair.
- To avoid the risk of pinching, ensure that the child is wearing – at a minimum – a diaper or trousers when sitting in the high chair.
- Never push down on the safety table - doing so risks pinching the knees of larger children.
- Do not use the high chair until the child can sit up unaided.
- Do not use the high chair if any component is broken or missing. Contact Love N Care for repair advice.
- A child's safety is your responsibility
- The child should be secured in the baby chair at all times by the 5-point safety harness in the upright position.

- Keep the highchair away from open fire, heaters and other source strong heat.  
Always use the safety harness.
- Always be sure your child is clear of the highchair's moving parts before making adjustments.
- Check the highchair regularly for damage and to ensure that the harness is secure and performs correctly.
- Always check the tray is securely locked in place by attempting to pull it free of the highchair.
- **IMPORTANT:** Every time you place your child in the highchair or whenever you alter the position of the seat, always check that the harness is correctly fitted. Tighten the harness until it fits snugly around your child.
- Check that all safety locks are engaged before placing a child in the highchair
- This highchair is not recommended for a child under 6 months old.
- Do not allow children to stand on the seat or footrest or climb into or out of the highchair.
- The weight of the child using this highchair should not exceed 18kg and up to 36 months.  
To reduce the risk of injury, position the highchair away from furniture, walls, hot surfaces, liquids, window covering cords and electricals cords.

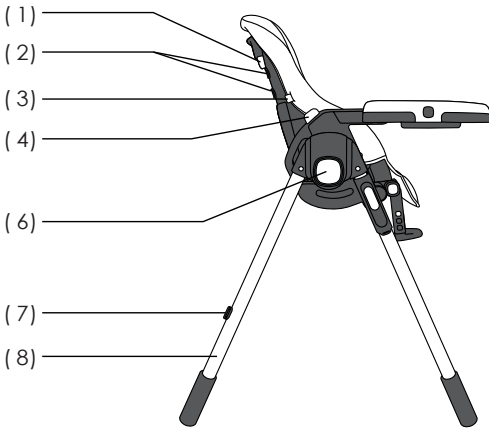
## CARE AND MAINTENANCE



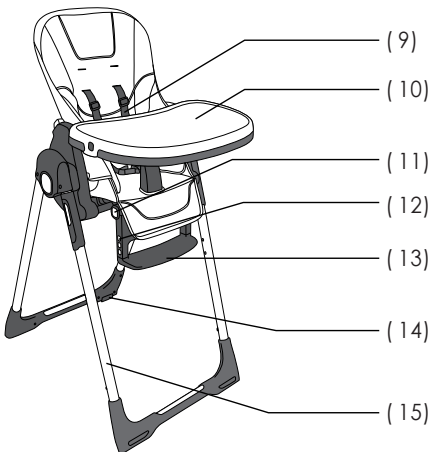
**WARNINGS:** Using an effective disinfectant, for examples cleaners with alcohol or chlorine content, may cause bleaching and discoloration, it is recommended to use cleaners specifically designed for colored fabrics to spot clean the Love N Care seat pad.

The Highchair can be cleaned with a sponge using likewarm water and a light detergent. Strong stains can be removed using non-abrasive cleaning cream. Moving parts can be lubricated with some light silicon oil.

# Parts



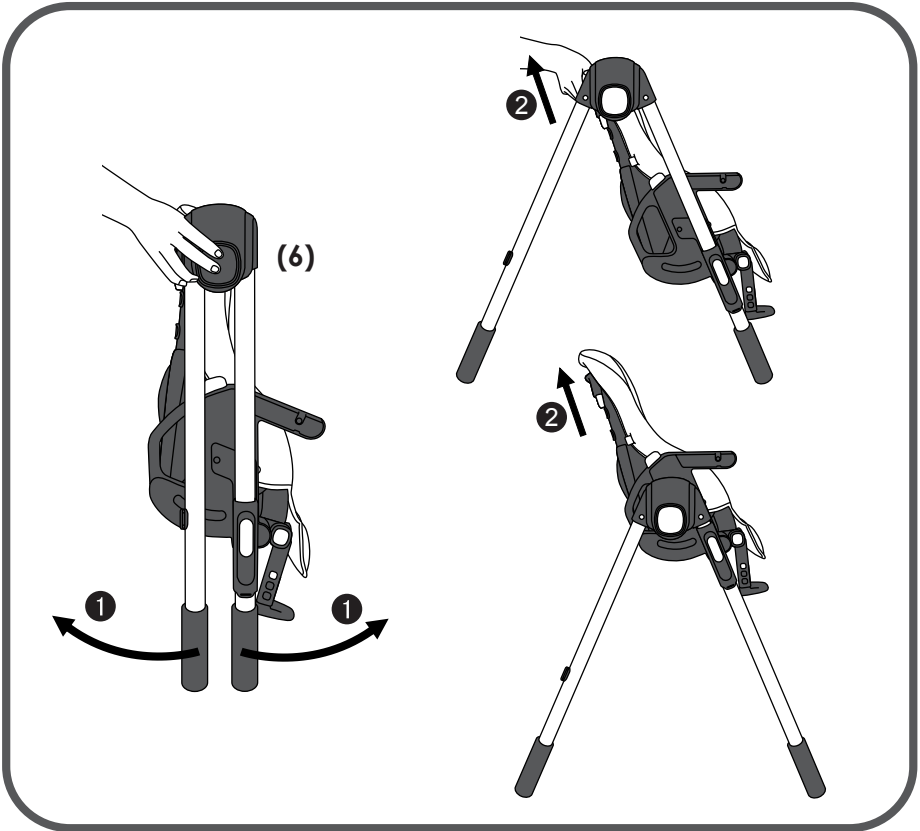
- 1. Backrest adjuster
- 2. Shoulder strap holes
- 3. Seat pad hook
- 4. Height adjuster button
  
- 6. Folding button
- 7. Tray hooks
- 8. Rear Legs



- 9. 5-Point safety harness
- 10. Tray
- 11. Footrest adjuster button
- 12. Footrest height adjuster
- 13. Footrest
- 14. Wheels
- 15. front legs

# Assembly

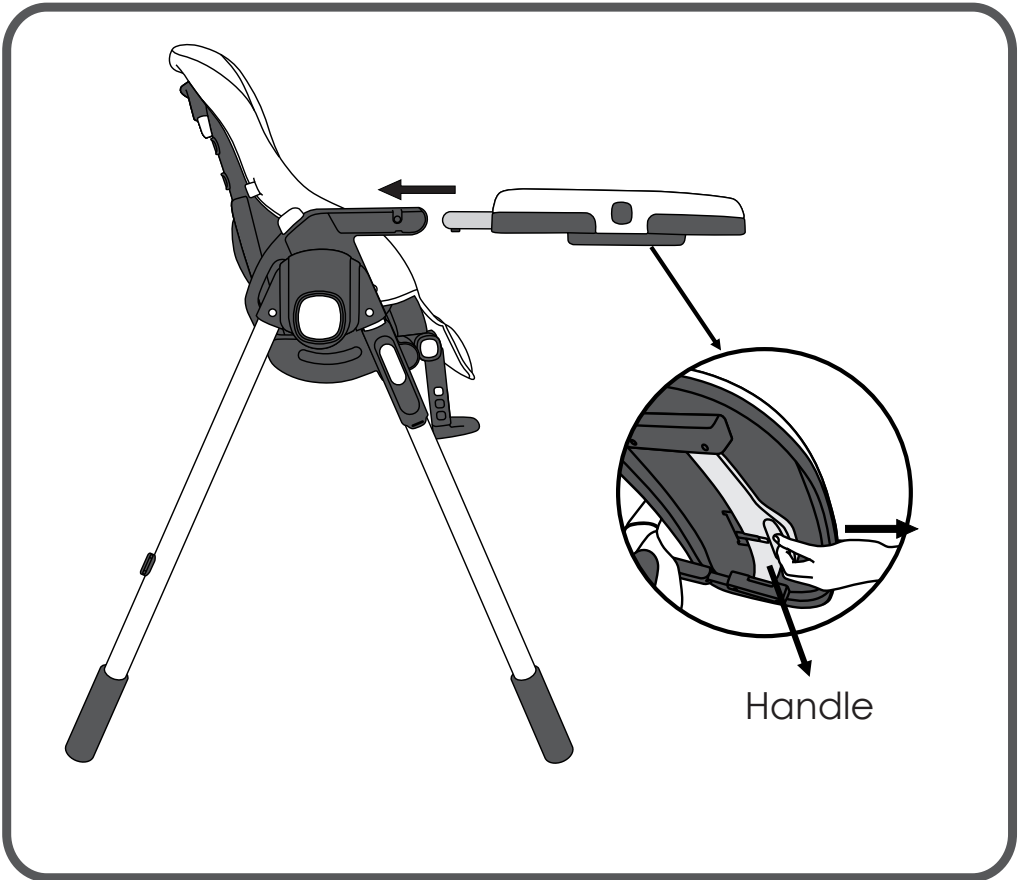
## Opening the Highchair



Press on the Folding buttons (6) whilst at the same time you pull the front legs (15) and rear legs (8). Then pull the back of the seat to the required position.

# Assembly

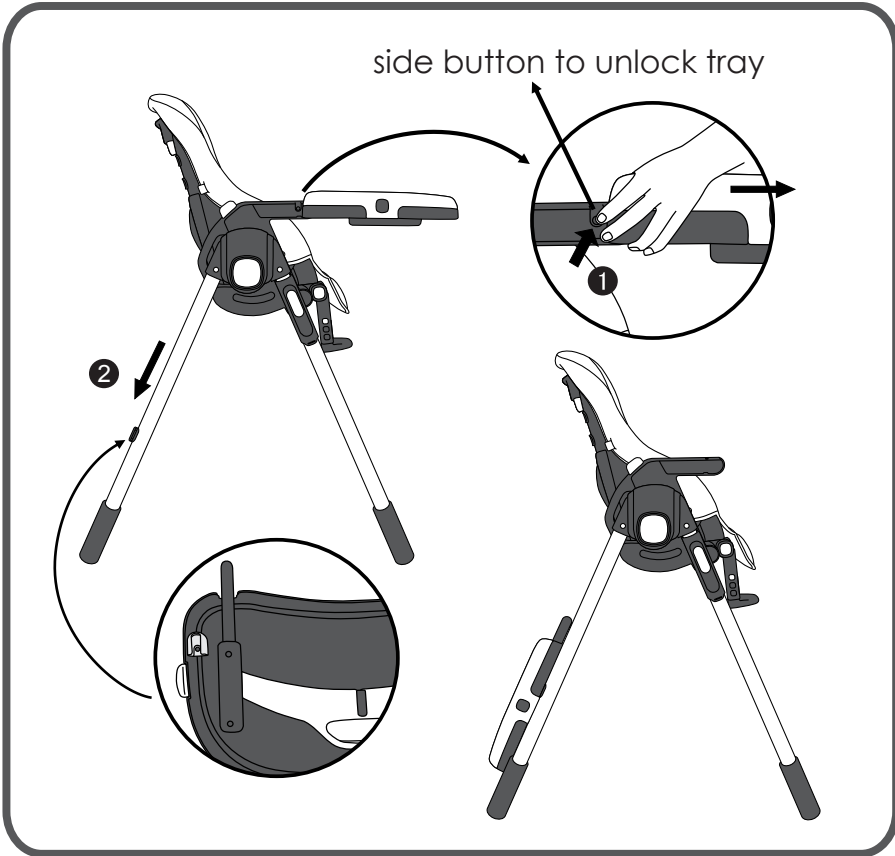
## Assembling the tray



Pull the handle located under the tray shelf, then insert the tubes on the ends of the tray into the housing ends. Slide the tray forwards and backwards to ensure that the tray is installed correctly.

# Assembly

## Remove/unlocking the tray

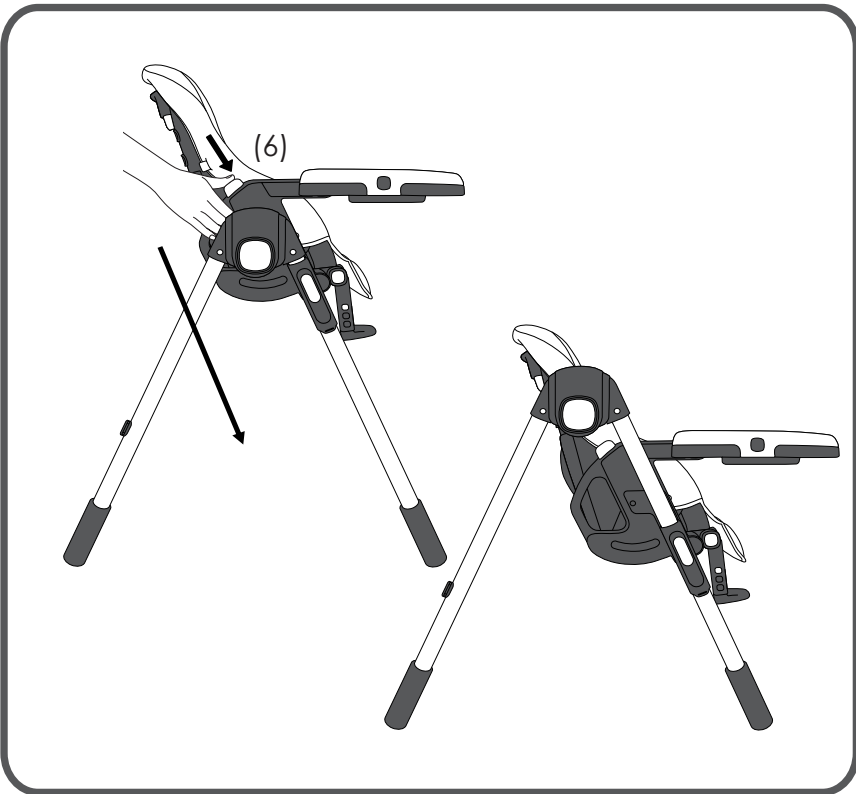


Slide the tray to the last position (with the red mark) and press the side button to unlock the safety catch, then slide the tube out completely. Repeat for the other side.

The tray can be placed on the back legs of the high chair by attaching them on the hooks.

# Assembly

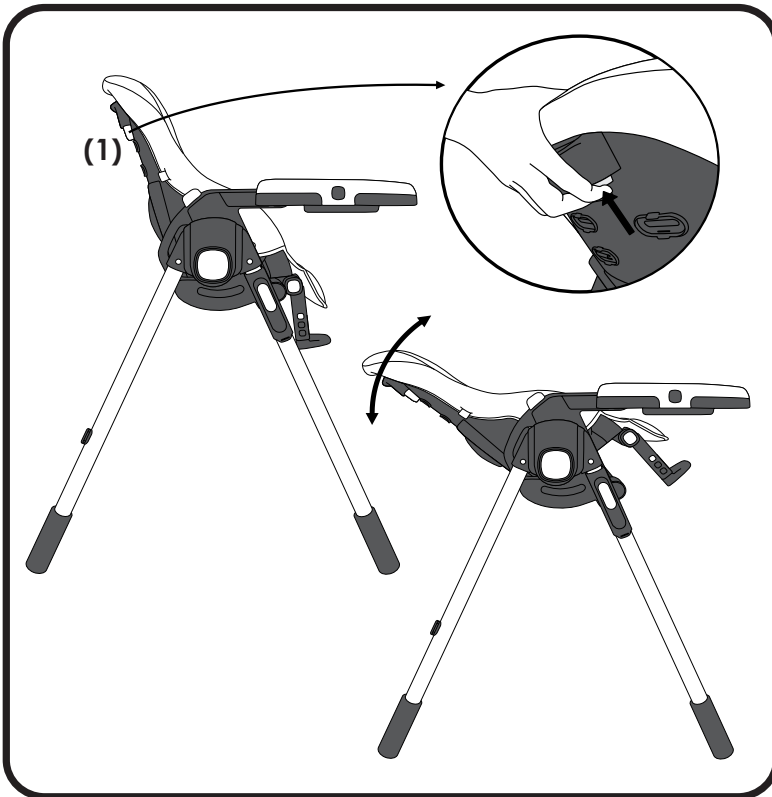
## Seat Height Adjustment



Whilst holding the 2 handles, press the height adjuster button (4) to lower the seat. The seat has 6 different positions.

# Assembly

## Backrest Adjustment

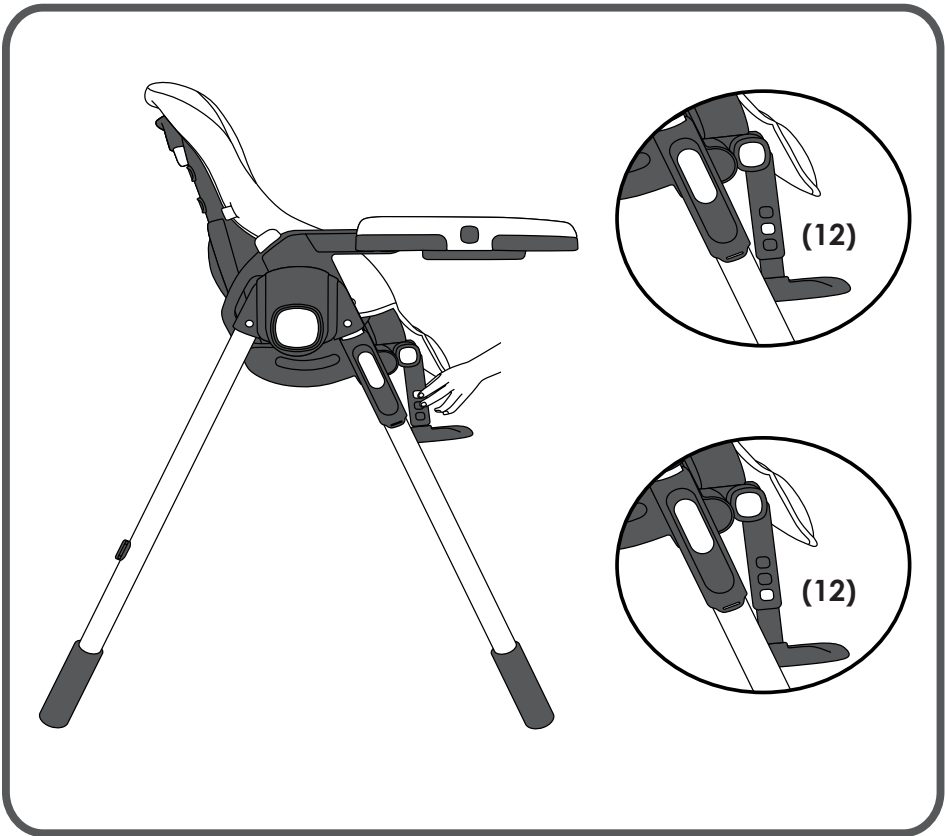


**WARNING:** The upright position is suitable for children from 6 months

Press the backrest adjuster button (1) to recline the seat up or down. This seat has 5 positions for backrest recline.

# Assembly

## Footrest Adjustment (length)

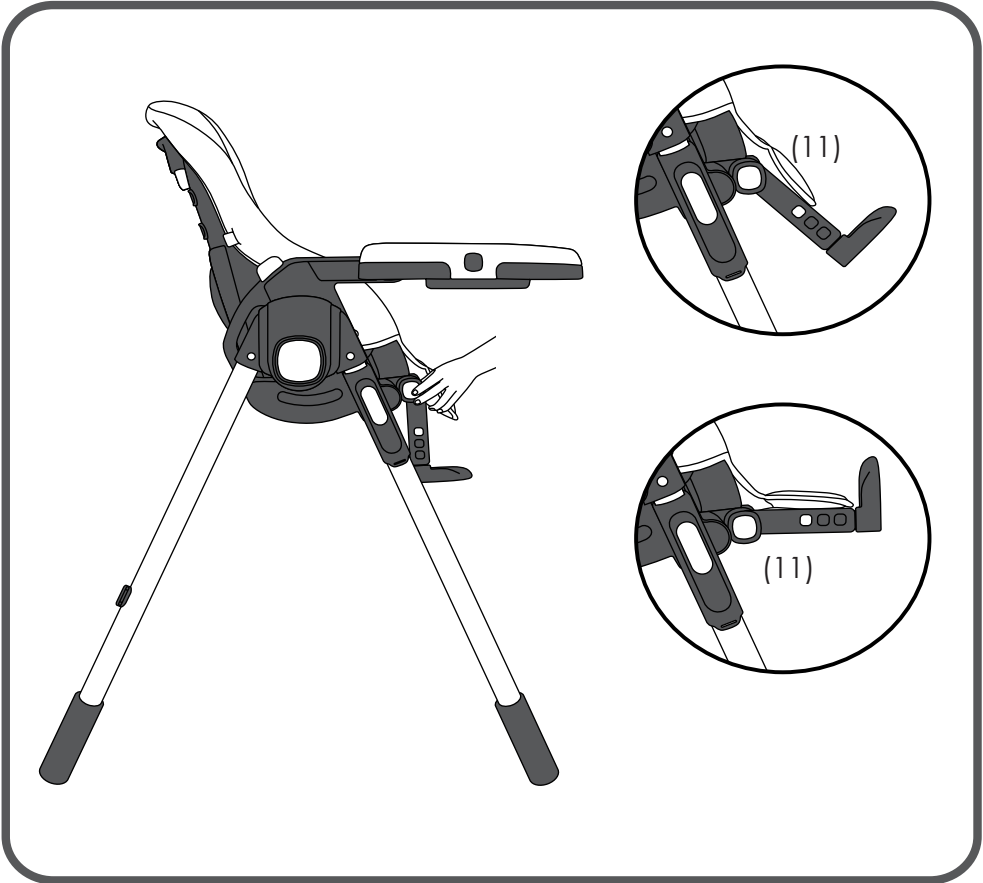


Press the small buttons (12) on the footrest sides and pull the footrest to the desired position.

The footrest has 3 positions.

# Assembly

## Footrest Adjustment



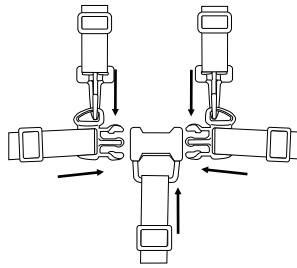
Press the large buttons (11) on both sides of the footrest and pull the footrest up or down.

The footrest has 3 positions of adjustment.

# Assembly

## Harness Assembly

**WARNING: USE THE HARNESS AT ALL TIMES**



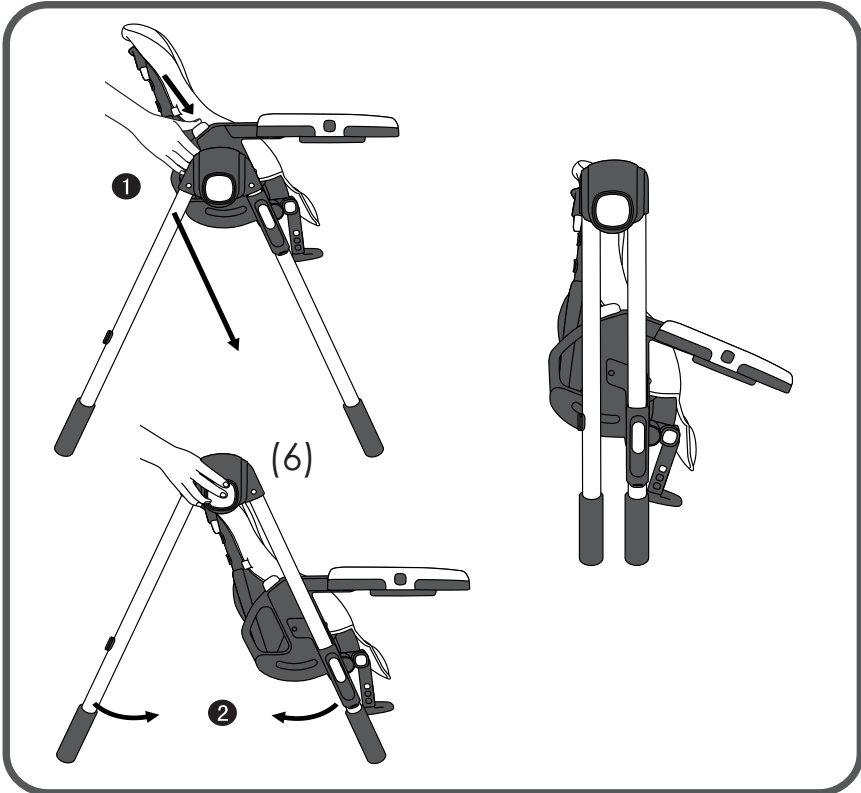
Familiarise yourself with all components of the 5 point harness. Place the child into the highchair and place the shoulder straps over the child's shoulders. Adjust the sliders until they are tight enough to keep the child in the seat. Repeat for both shoulder straps.

For children from 6 months you should use the lower height position on the seat unit. You can change the position of the height of the harness by threading the harness through the seat. As the child gets taller you should use the top position.

1. Carefully place your child into the seat and bring the waist straps around the child's waist and the shoulder harness over the child's shoulders. Attach each of the shoulder straps to the waist strap buckle with each end. The shoulder harness should connect to the circle on the end of the waist strap buckle. Repeat this for both sides. The buckles should click onto each other.
2. Adjust the sliders from the waist harness and shoulder harness until they are tight enough to keep the child in the seat. Repeat this for both sides.
3. Once each shoulder harness is attached on the waist harness insert the connected straps into crotch harness.
4. Repeat on both sides.
5. Cover the buckles and sliders with the shoulder harness pads and crotch harness pad for comfort.

You can then adjust the straps further if required by using the sliders. To release the harness squeeze the centre of the crotch strap buckle to release one side of the shoulder and waist harness then you should squeeze the other side to release the other side.

# Assembly



1. Place the seat into the lower position
2. Press on the main folding button (6) then close the 2 legs.
3. place the tray on the rear legs.

# Warranty Against Defects

ALL LOVE N CARE PRODUCTS ARE GUARANTEED FOR TWELVE MONTHS FROM THE DATE OF PURCHASE.

OUR GOODS COME WITH GUARANTEES THAT CANNOT BE EXCLUDED UNDER THE AUSTRALIAN CONSUMER LAW. YOU ARE ENTITLED TO A REPLACEMENT OR REFUND FOR A MAJOR FAILURE AND FOR COMPENSATION FOR ANY OTHER REASONABLY FORSEEABLE LOSS OR DAMAGE. YOU ARE ALSO ENTITLED TO HAVE THE GOODS REPAIRED OR REPLACED IF THE GOODS FAIL TO BE OF ACCEPTABLE QUALITY AND THE FAILURE DOES NOT AMOUNT TO A MAJOR FAILURE.

THIS COVERS AGAINST FAULTS WHICH DEVELOP THROUGH FAULTY MATERIALS AND WORKMANSHIP. MISUSE, ACCIDENTAL DAMAGES, NORMAL WEAR AND TEAR OR NEGLIGENCE ARE NOT COVERED.

IF A FAULT BECOMES APPARENT, PLEASE RETURN THE ITEM TO THE STORE OF PURCHASE WITH YOUR RECEIPT. YOU MUST INFORM THE STORE WHAT THE DEFECT IS. WE WILL THEN ARRANGE FOR ITS REPAIR OR IT WILL BE ASSESSED FOR REPLACEMENT AS EXPEDITIOUSLY AS POSSIBLE. THE BENEFITS OF THIS WARRANTY ARE IN ADDITION TO OTHER RIGHTS AND REMEDIES UNDER THE LAW IN RELATION TO THE GOODS AND SERVICES TO WHICH THIS WARRANTY RELATES.

IF YOU ARE UNABLE TO RETURN THE ITEM TO THE STORE OF PURCHASE, YOU CAN CONTACT LOVE N CARE ON FREECALL 1300732599. WE WILL THEN ORGANISE FOR EITHER SOMEBODY TO INSPECT THE ITEM OR ARRANGE FOR A COURIER TO PICK IT UP AND RETURN IT BACK TO YOU.



## 12 MONTH WARRANTY

## BP 894 MONTANA HIGHCHAIR

Please fill in this section to validate your warranty and send to: **297 Canterbury Rd Revesby NSW 2212**

Name: \_\_\_\_\_ Store Purchased: \_\_\_\_\_

Address: \_\_\_\_\_ Date Purchased: \_\_\_\_\_

Product Name/No. \_\_\_\_\_

# Contact Us

## Head Office:

Love N Care Pty Ltd.  
297-299 Canterbury Rd, Revesby  
NSW 2212 Australia  
Contact No: 02 9774 4655  
Fax: 02 9774 4633  
Email: [info@lovencare.com.au](mailto:info@lovencare.com.au)  
Website: [www.lovencare.com.au](http://www.lovencare.com.au)

**love<sup>n</sup>care**  
[lovencare.com.au](http://lovencare.com.au)

Let's be friends!

 <http://www.facebook.com/lovencare1>

 100% AUSTRALIAN OWNED SINCE 1984