

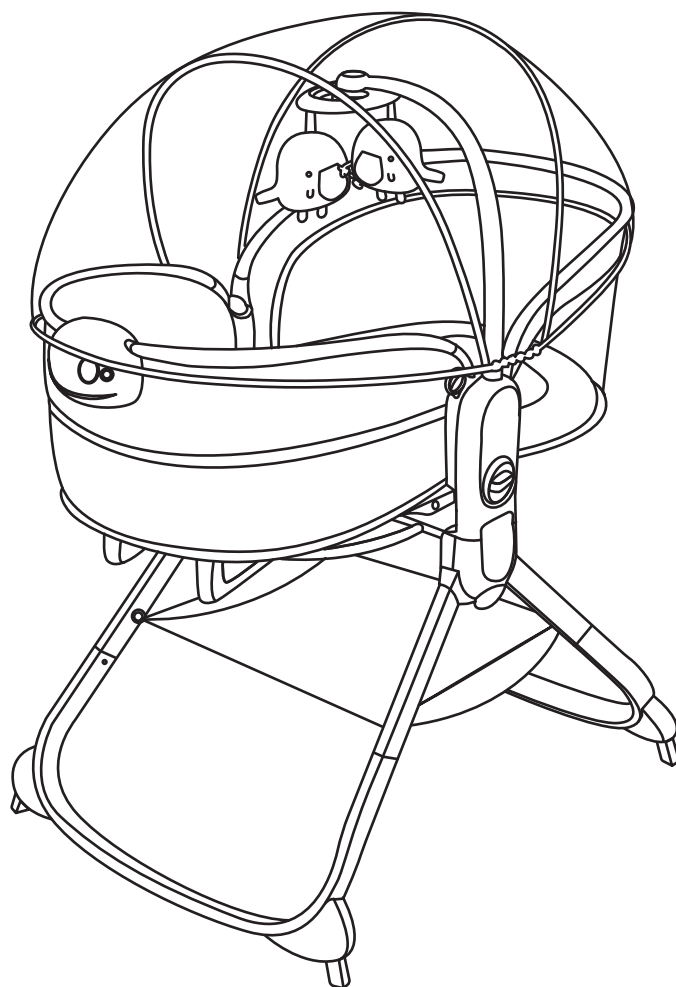
love<sup>h</sup>care™

Newborn - 18kg

BP 6691



# ETERNITY BASSINET



## Instruction Manual

Please keep these instructions for future reference

# love<sup>h</sup>care™

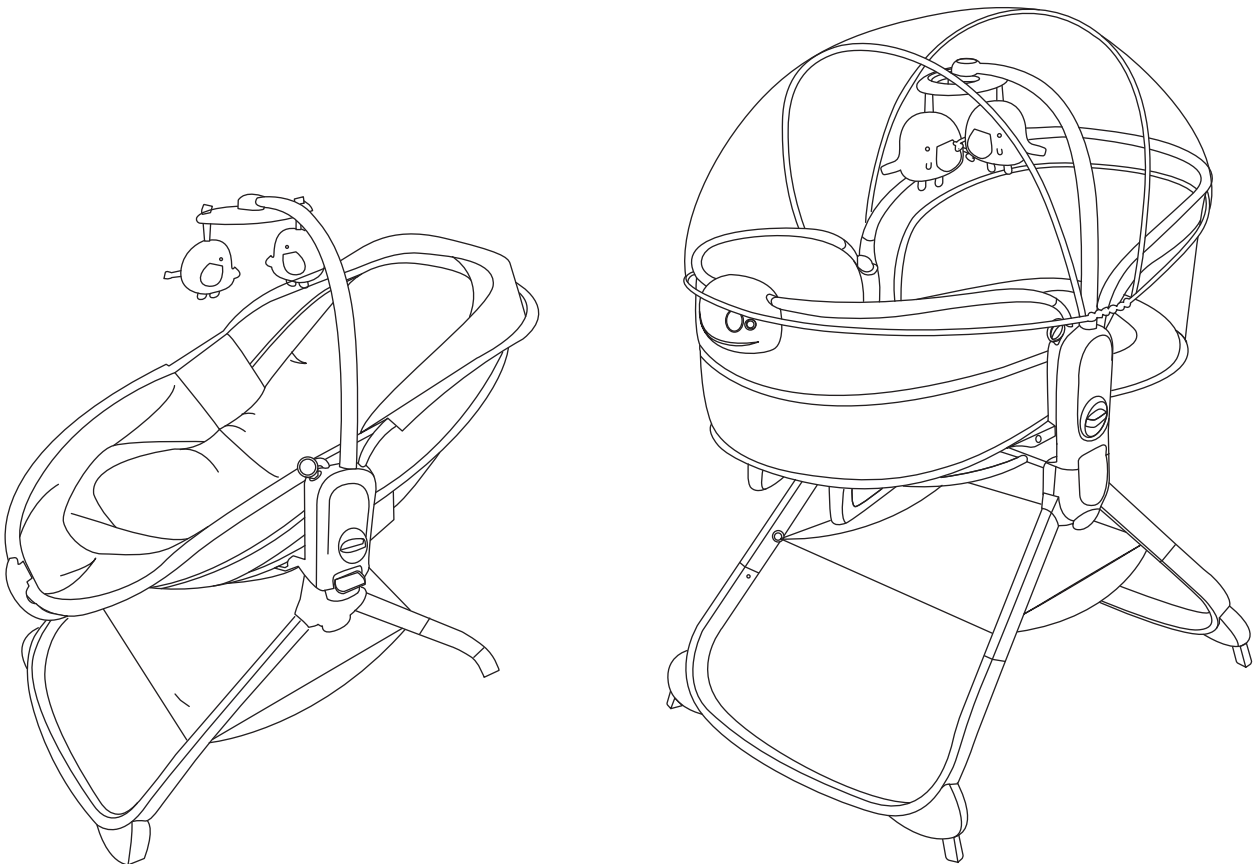
Congratulations on purchasing your new Bassinet.

In almost no time you should be able to have this one of a kind bassinet ready to meet your beautiful child :)

Please take a few moments to read this instruction manual on how to assemble and use your bassinet correctly so you can rest assured that your little one is swinging safe and Secure.

There are 15 different melodies and volume control.

The bassinet has 6 modes. Napper and Rock N Play modes, cozy seat mode, travel bassinet mode, rocking sleeper mode, dream centre mode and bedside bassinet mode. It has sturdy construction AND Provides the safety AND COMFORT WE ALL WANT!





## Failure to follow these warnings and the instructions could result in serious injury or death.

Napper and "Rock & Play" modes(Max weight 9kg):

- Never leave the child unattended.
- NEVER use this recline cradle in a motor vehicle.
- Do not move this recline cradle with child inside.
- Do not use the reclined cradle once your child can sit unaided. (approximately 6 months).
- This reclined cradle is not intended for prolonged periods of sleeping.
- This reclined cradle does not replace a cot or a bed. Should your child need to sleep, then it should be placed in a suitable cot or bed.
- It is dangerous to use the reclined cradle on an elevated surface, e.g. a table.
- Always use the restraint system.
- Never use the toy bar to carry the recline cradle.
- Never change backrest position or product height when baby in reclined cradle.
- Never place product on countertops, tables, steps or other elevated surfaces .
- ALWAYS use on the floor.

Rocking sleeper mode(max weight 9kg):

- DO NOT let other children play unattended near the sleeper.
- Always use the restraint system.
- To reduce the risk of SIDS (Sudden Infant Death Syndrome), pediatricians recommend healthy infants be placed on their back to sleep, unless otherwise advised by your physician.
- Never change backrest position or product height when baby in reclined cradle.

Travel Bassinet mode(max weight 6.8kg):

Stop using this mode when infant

- begins to push up hands and knees.
- when a child is able to sit up unaided, roll over or become too active to remain in product.

Dream centre mode(max weight 6.8kg): Stop using this mode when infant begins to roll over (approximately 6 months)

- Do not use this product if the adult mattress is not firm enough to allow the product to lie flat.
- NEVER place unit on an elevated surface other than bed.
- NEVER place the product within 40cm of the edge of the bed.
- NEVER allow infant to sleep in the product while sharing a bed with another toddler or child.
- NEVER allow infant to sleep in the product while sharing a bed with an adult who is under the influence of alcohol or medication. These substances increase the risk of rolling onto the infant and make it harder for the adult to wake up at the baby's distress.
- NEVER allow infant to co-sleep with an obese person.
- NEVER allow infant to sleep in the product while sharing a bed with an adult who has sleep disorders (i.e. sleepwalking, nightmares, fitful sleep).
- ALWAYS place the product against the headboard when co-sleeping.
- NEVER use more than one pillow per adult on each side of the product.

Bedside bassinet mode(Max weight 6.8kg):

- Stop using this mode when infant begins to roll over (approximately 6 months)
- Do not use this product if the adult mattress is not firm enough to allow the product to lie flat.
- Always use kickstand and set to a fixed position.
- NEVER allow infant to sleep in the product while sharing a bed with an adult who is under the influence of alcohol or medication.
- Never allow infant to sleep in the product while sharing a bed with an adult who has sleep disorders (i.e. sleepwalking, nightmares, fitful sleep).
- Never change backrest position or product height when baby in reclined cradle.
- Do not apply any external force to the product.

Cozy seat mode(Max weight 18kg,Max age-3years old):

- Always use the restraint system until the child is able to climb in and out of the product unassisted.
- Never change backrest position and product height when baby in reclined cradle.

STRANGULATION HAZARD:

- Toy Bar and toys – Possible entanglement or strangulation injury. Remove toy when baby begins to push up on hands and knees. Recommended use from birth to 6 months.
- Strings can cause strangulation! Never place items with a string around a child's neck such as hood strings or pacifier cords. Never suspend stringover product or attach strings to toys.
- Never place product near a window where cords from blinds or drapes can strangle a child.

CHOKING AND SUFFOCATION HAZARD –Infants have suffocated...

- On added pillows, blankets, and extra padding.
- NEVER add a mattress, pillow, comforter, or padding. Use ONLY the mattress provided by Mastela. Never place extra padding under or beside the infant.
- NEVER use plastic shipping bags or other plastic film as mattress covers not sold and intended for that purpose. They can cause suffocation.
- Keep small items that could choke a child away.

IMPORTANT

- Adult assembly required.
- Care should be taken in unpacking and assembly.
- Examine product frequently for damaged, missing, or loose parts.
- DO NOT use if any parts are missing, damaged, or broken.
- Contact Mastela for replacement parts and instructions if needed. Never substitute parts.

Backrest positions options:

- Dream centre, travel Bassinet and bedside bassinet modes : only can use Level 1.
- Napper and "Rock & Play" modes: Level 2 and Level 3 for selection.
- Rocking sleeper mode: Level 1, Level 2 and Level 3 for selection.
- Cozy seat mode: Level 3 can be used when fix the kickstand.

The music/vibration Unit requires(2)size AA/LR6(1.5V) batteries (not included).Please use alkaline batteries for better performance CAUTION:Follow the battery guidelines in this section.

- Otherwise,battery life may be shortend or the batteries may leak or rupture.
- Always keep batteries away from children.
  - Do not mix old and new batteries.
  - Do not mix alkaline, standard, or rechargeable batteries.
  - Only batteries of the same or equivalent type as recommended are to be used.
  - Install the batteries so that the polarity of each one matches the making in the battery om artment.
  - The supply terminals are not to be short-circuited.
  - Do not store batteries in areas that have extreme temperatures (such as attics, garages,or automobiles).
  - Remove exhausted batteries from the battery compartment.
  - Never attempt to recharge a battery unless it is specifically marked "rechargeable."
  - Rechargeable batteries are to be removed from the toy before being charged.
  - Rechargeable batteries are only to be charged under adult supervision.
  - Do not use rechargeable alkaline batteries in a Ni-Cad or Ni-MH battery charger.
  - Please use the correct disposal method for batteries.
  - Remove batteries before pting the product into storage for a prolonged period of time.

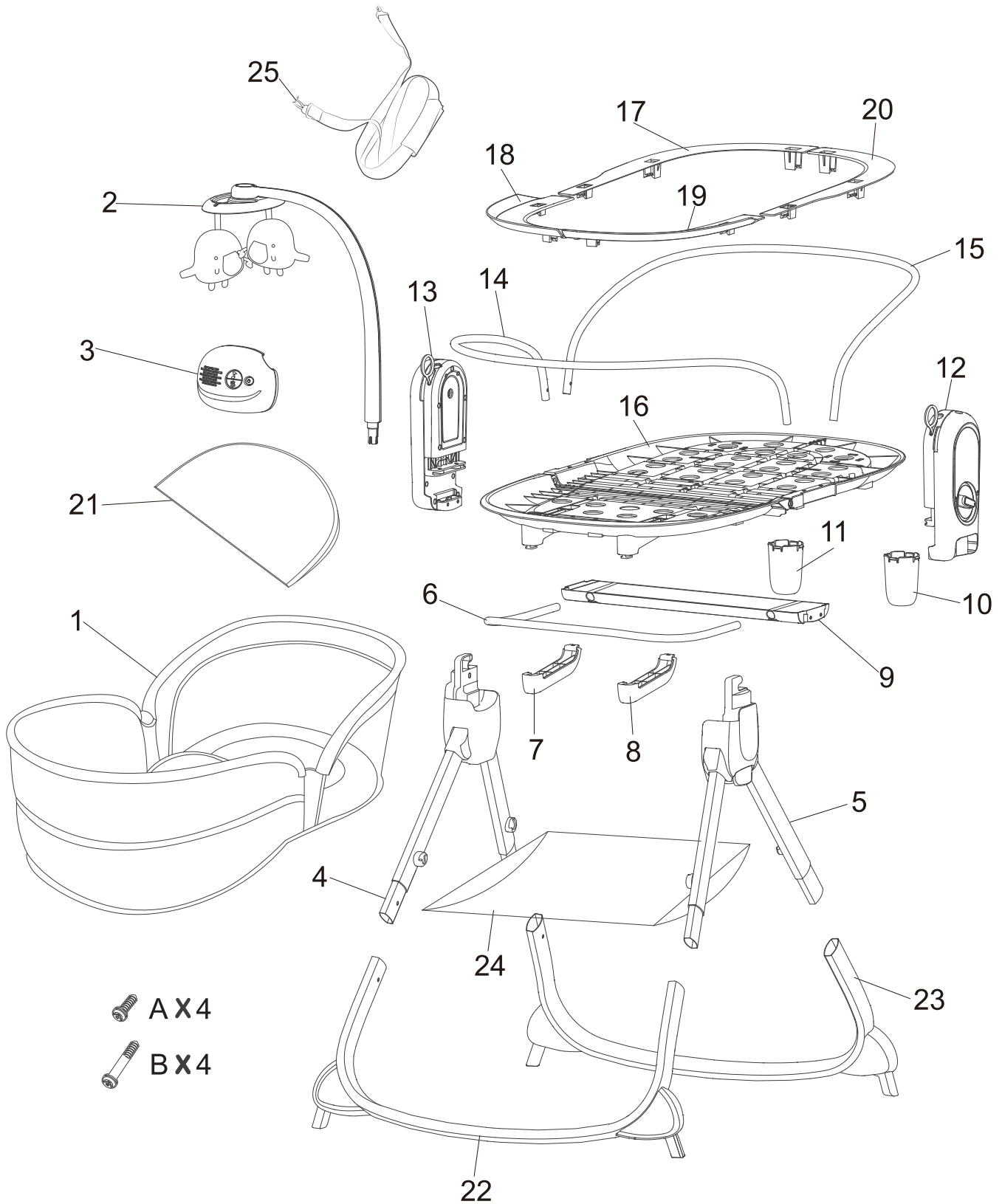
Care and storage:

1. Washing instructions: All fabrics are machine washable.



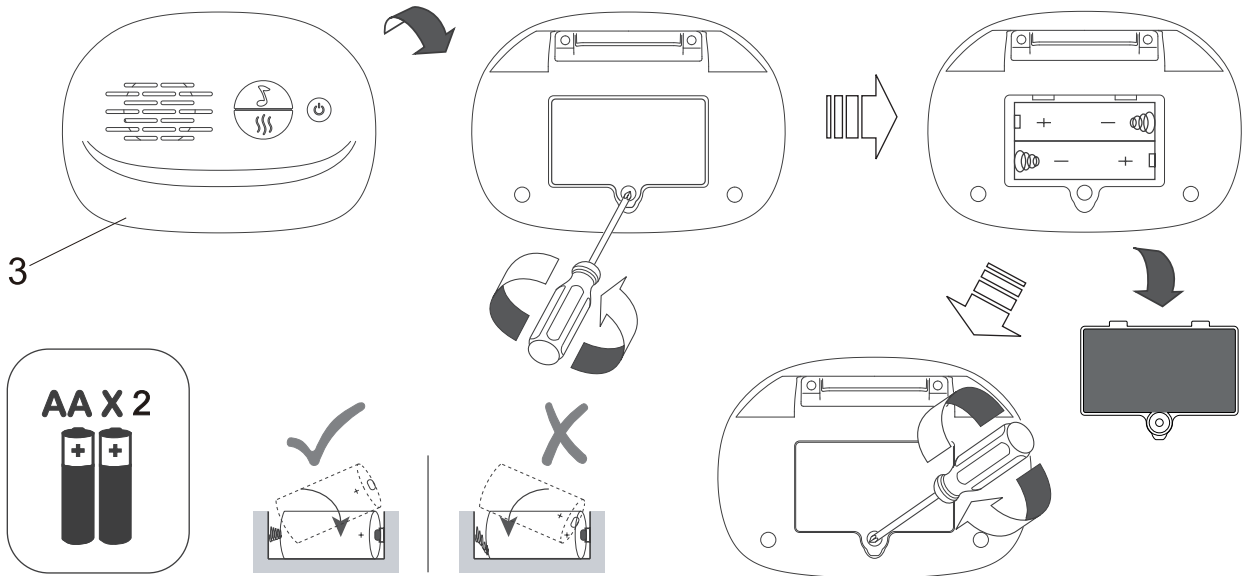
2. DO NOT submerge any part of the product in water.
3. After washing, make sure that mattress properly dry before reassembly.

# Parts List

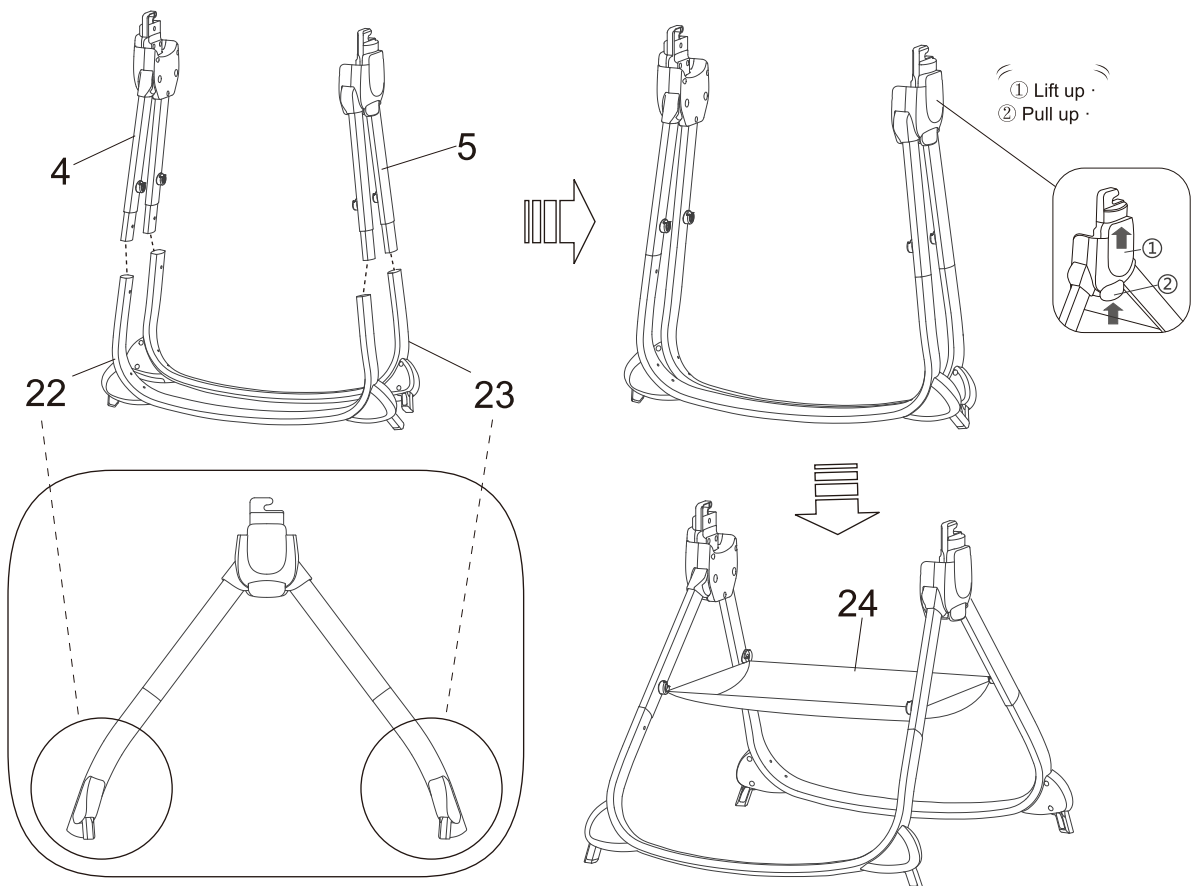


# Assembly Instructions

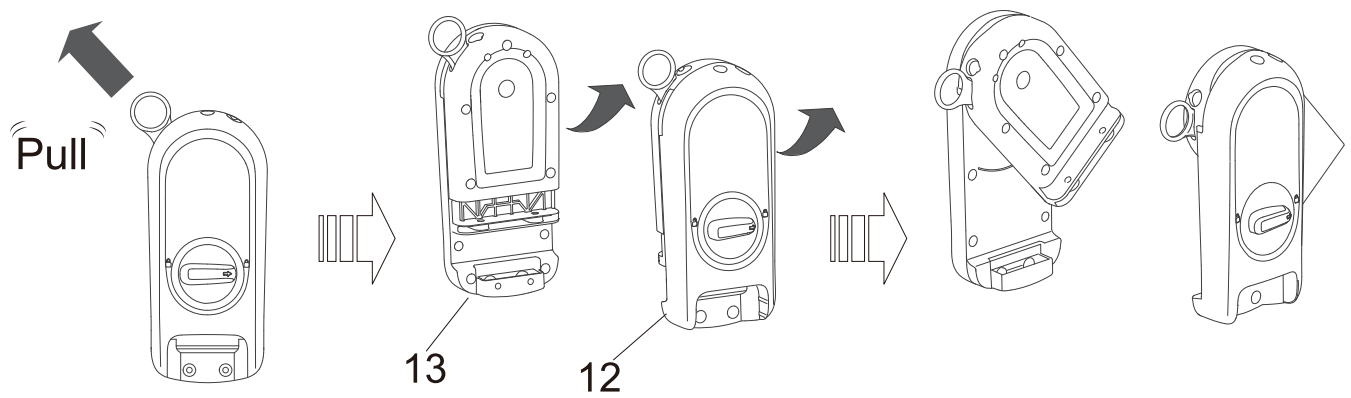
## Step 1



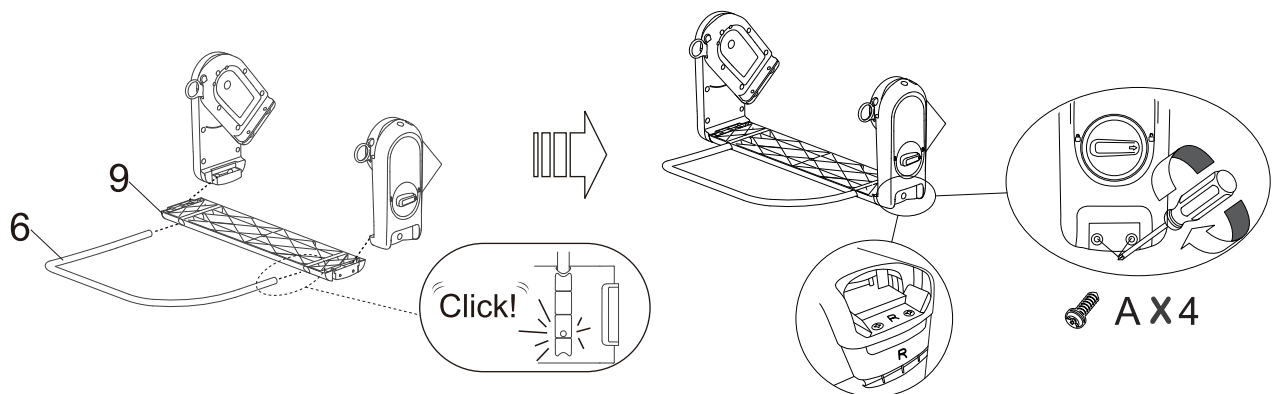
## Step 2



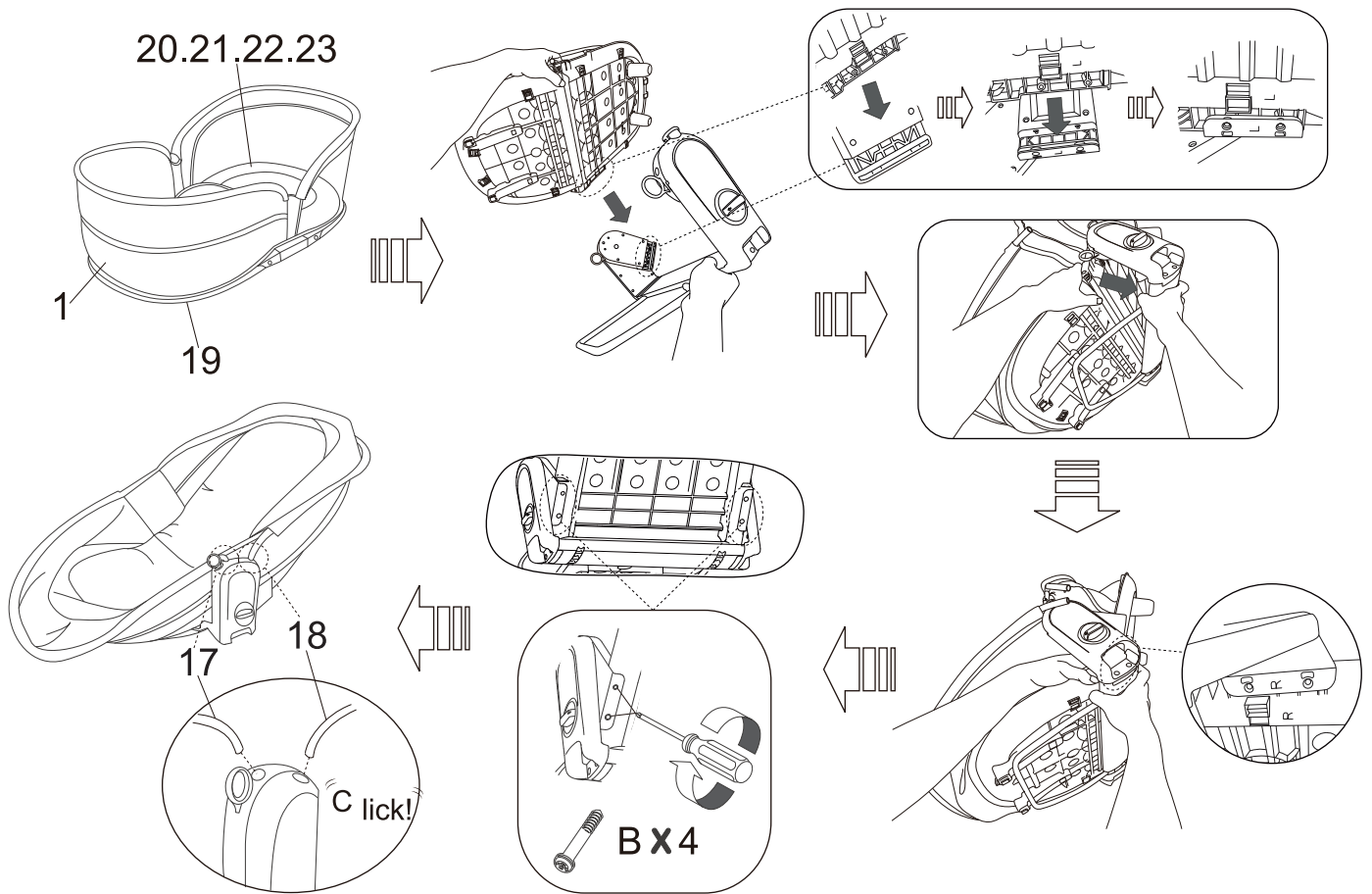
# Step 3



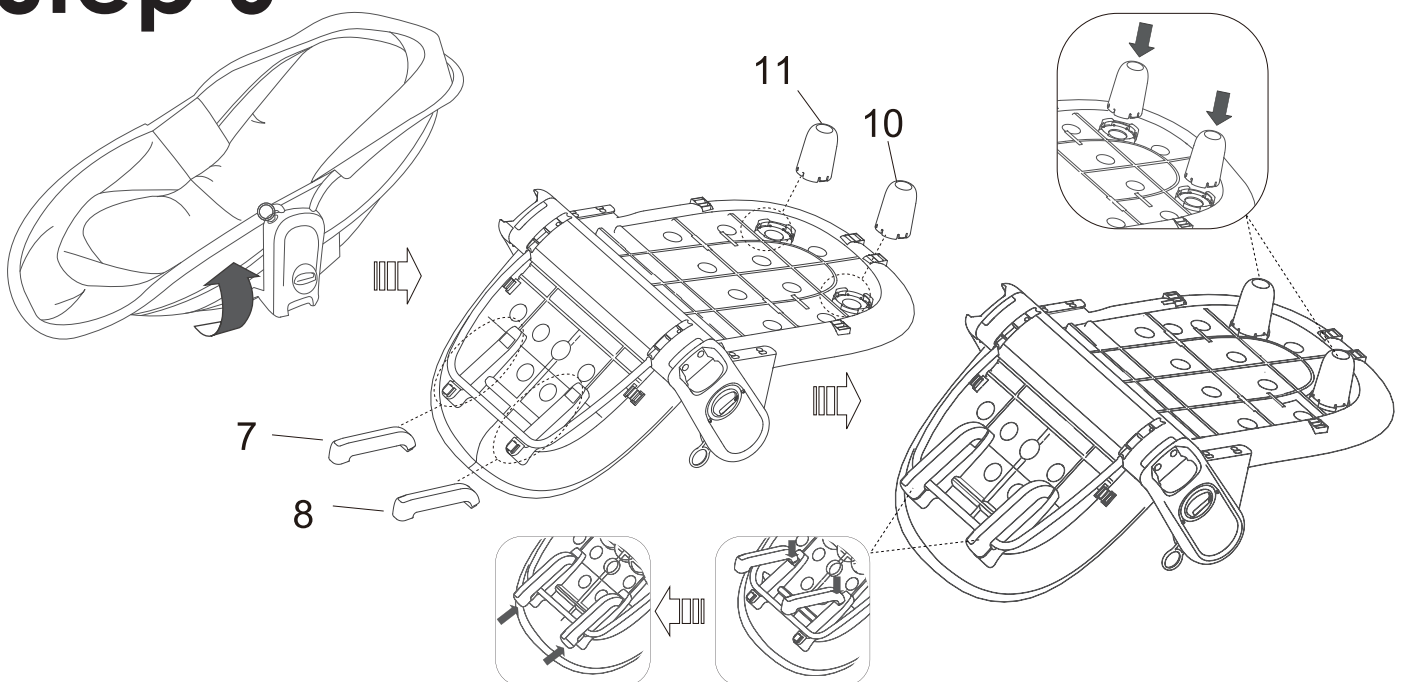
# Step 4



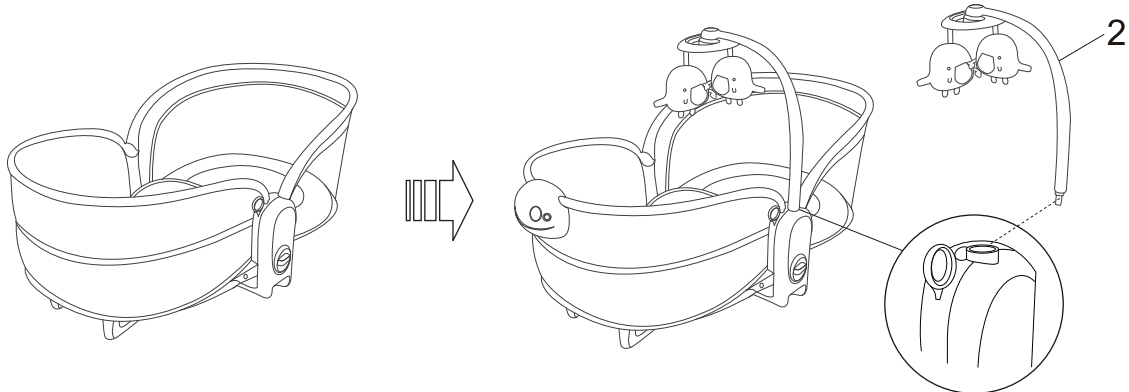
# Step 5



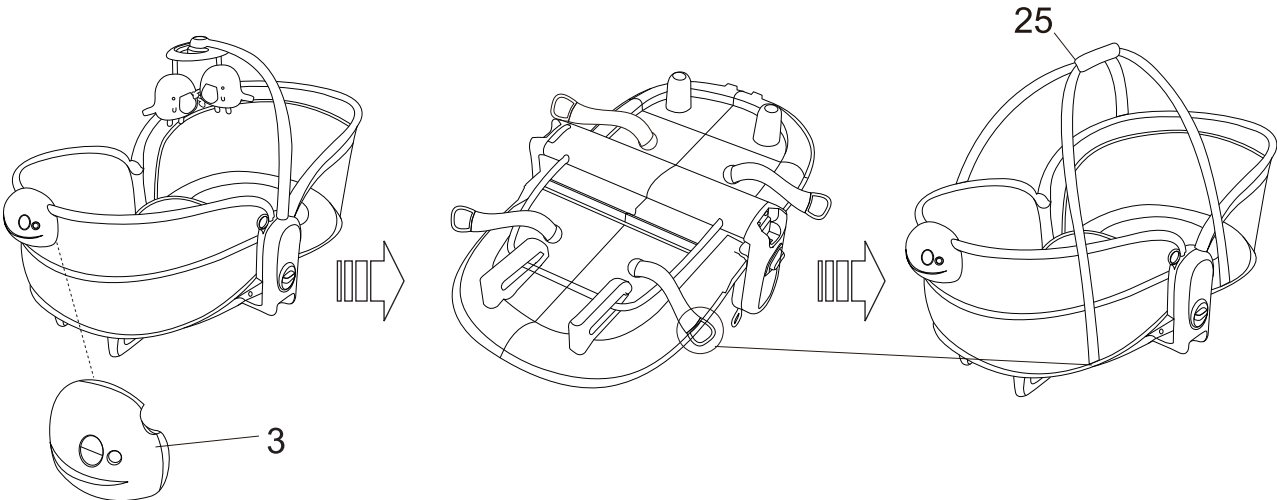
# Step 6



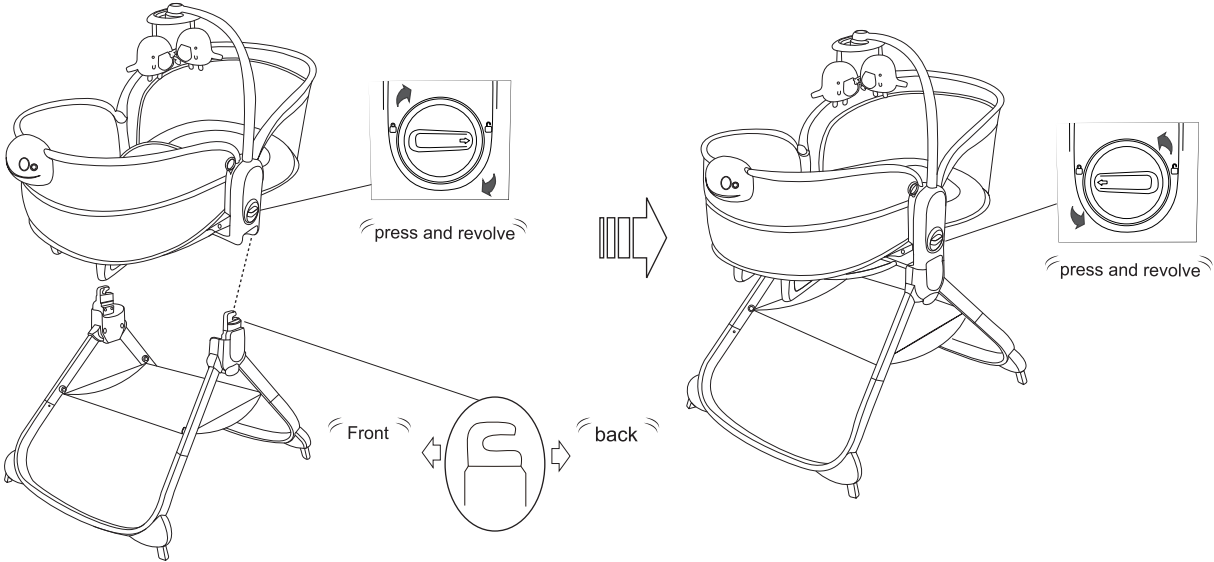
# Step 7



# Step 8



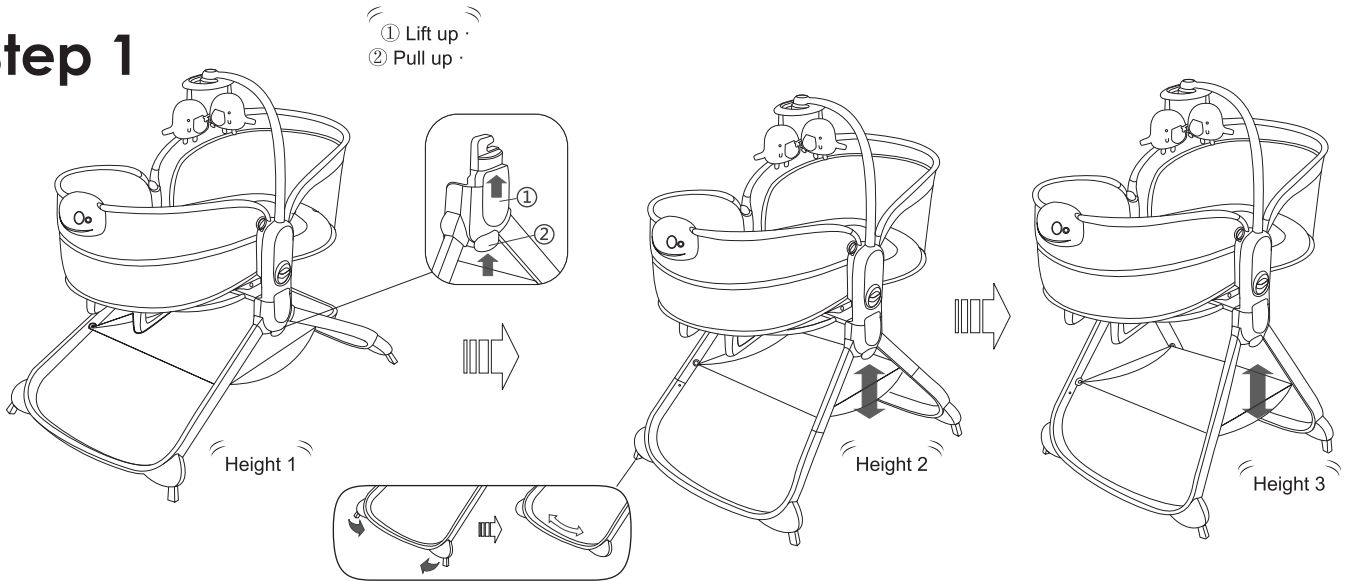
# Step 9





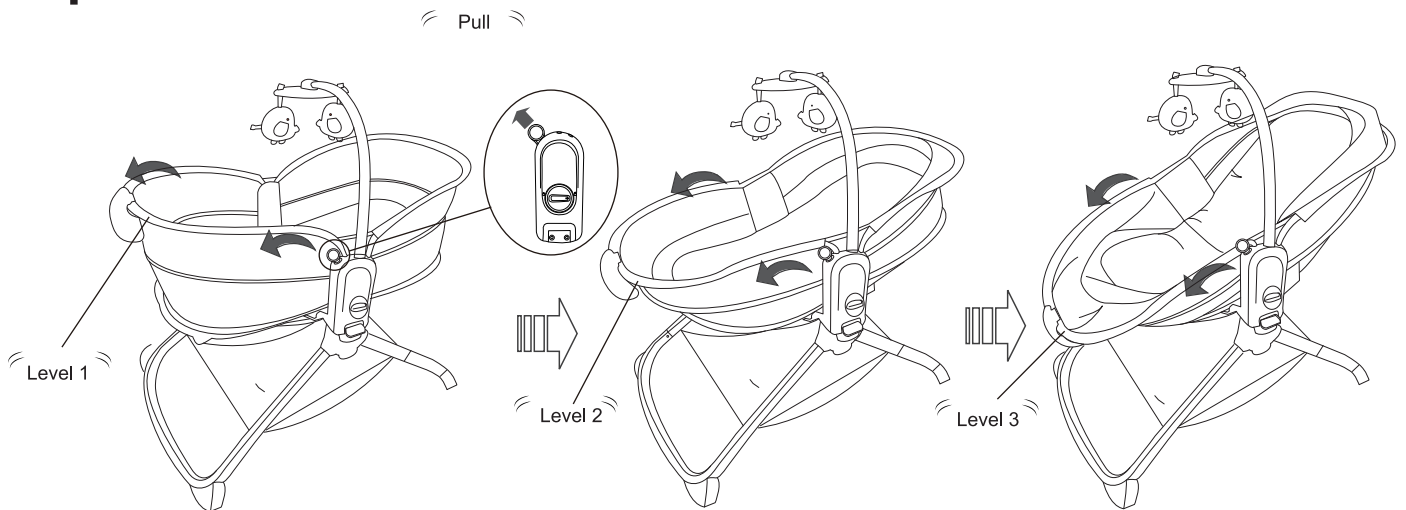
# Using the Recline Function

## Step 1



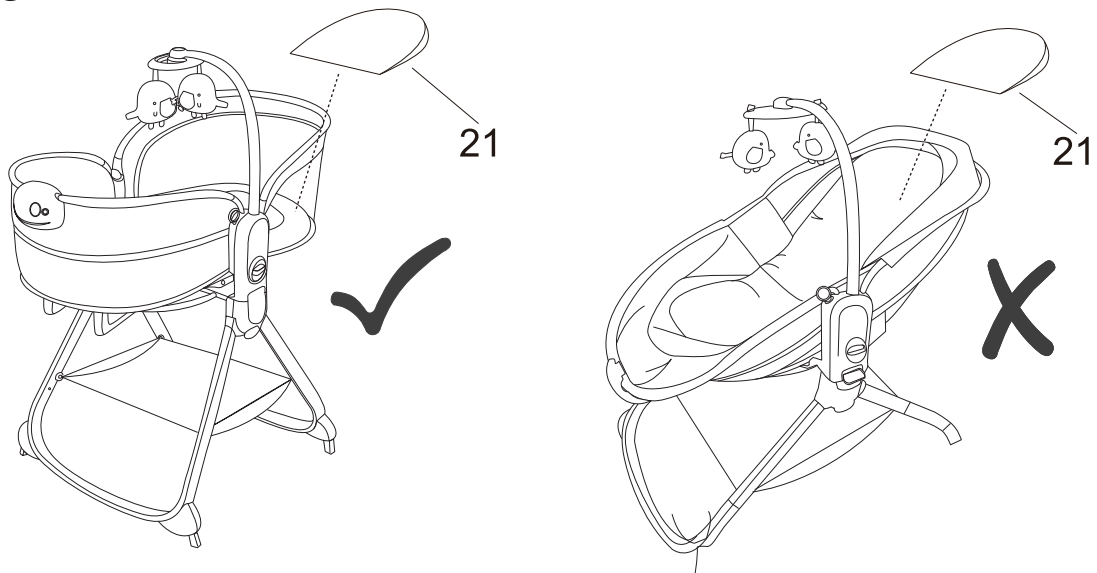
The Height can be adjusted by pulling the adjusting device

## Step 2



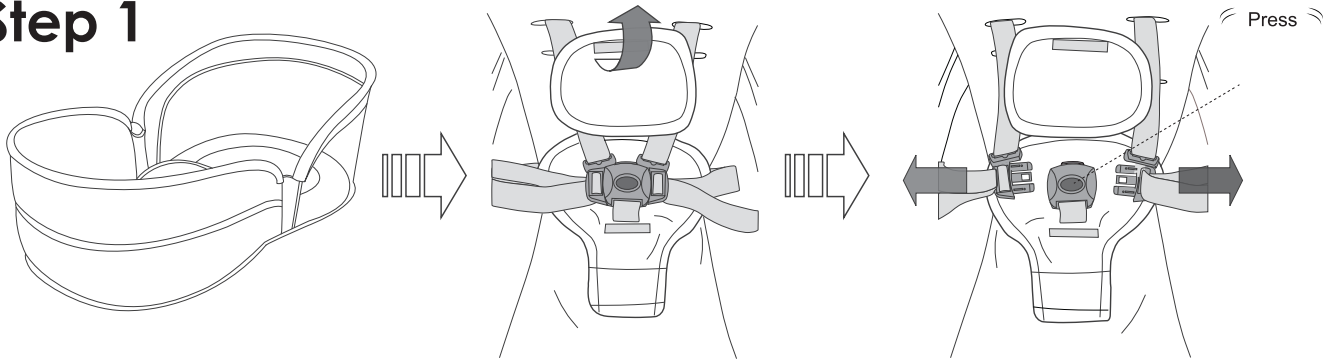
The angle can be adjusted by pulling the adjusting device

## Step 3

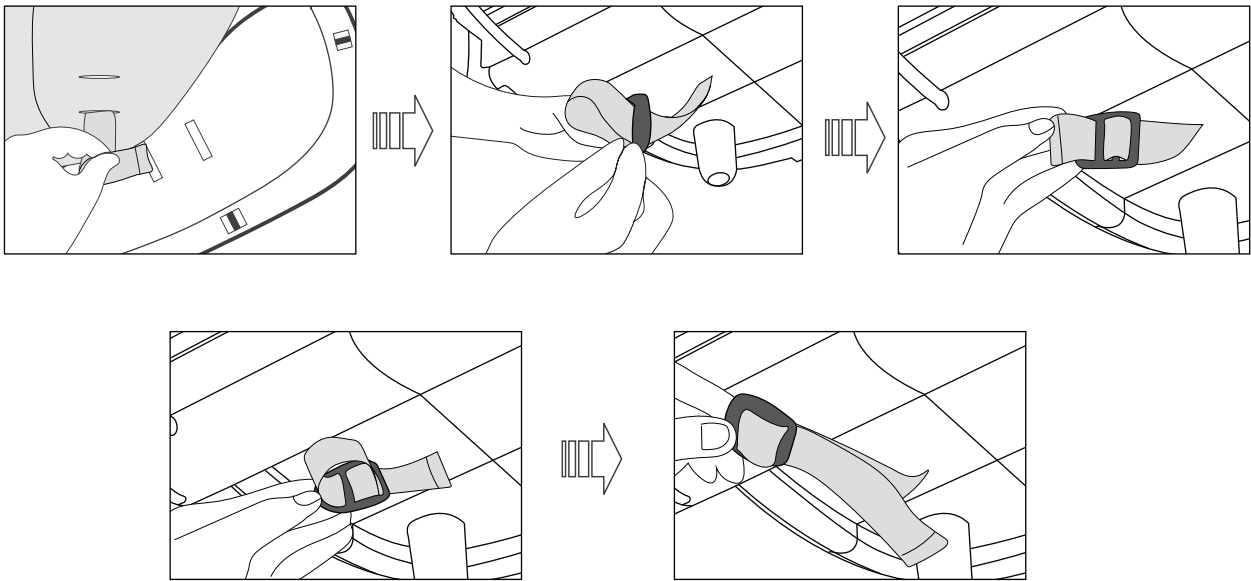


# Using the Seat restraint

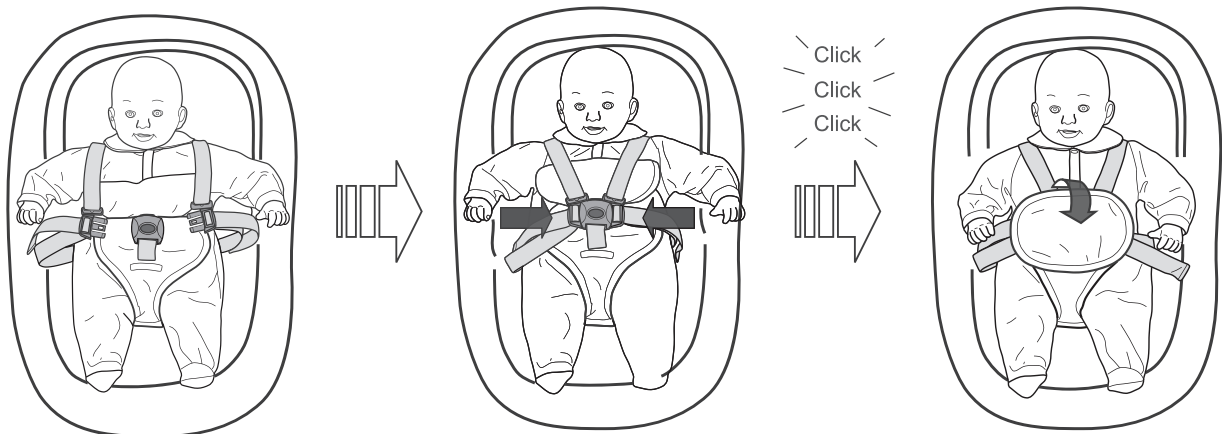
## Step 1



## Step 2



## Step 3



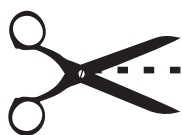
# WARRANTY AGAINST DEFECTS

All Love N Care products are guaranteed for twelve months from the date of purchase. Our goods come with guarantees that cannot be excluded under the Australian Consumer Law.

You are entitled to a replacement or refund for a major failure and for compensation for any other reasonably foreseeable loss or damage. You are also entitled to have the goods repaired or replaced if the goods fail to be of acceptable quality and the failure does not amount to a major failure. This covers against faults which develop through faulty materials and workmanship.

Misuse, accidental damages, normal wear and tear or neglect are not covered. If a fault becomes apparent, please return the item to the store of purchase with your receipt. You must inform the store what the defect is. We will then arrange for its repair or it will be assessed for replacement as expediently as possible. The benefits of this warranty are in addition to other right and remedies under the law in relation to the goods or services to which this warranty relates. If you are unable to return the item to the store of purchase, you can contact Love N Care on free call 1300 732 599.

Where you send the product directly to the manufacturer then you may be liable for the costs of transportation to and from Love N Care. Love N Care will meet the reasonable expenses incurred by a consumer in a making a warranty claim. You can claim expenses incurred in making a claim by contacting our customer service team on 1300 732 599 or by email at [info@lovenecare.com.au](mailto:info@lovenecare.com.au)



## 12 MONTH WARRANTY

**BP 6691 6-IN-1 ETERNITY BASSINET**

Please fill in this section to validate your warranty and send to: **297 Canterbury Rd Revesby NSW 2212**

Name: \_\_\_\_\_

Store Purchased: \_\_\_\_\_

Address: \_\_\_\_\_

Date Purchased: \_\_\_\_\_

Product Name/No. \_\_\_\_\_

# Contact Us

## Head Office:

Love N Care Pty Ltd.  
297-299 Canterbury Rd, Revesby

NSW 2212 Australia

Contact No: 02 9774 4655

Fax: 02 9774 4633

Email: [info@lovencare.com.au](mailto:info@lovencare.com.au)

Website: [www.lovencare.com.au](http://www.lovencare.com.au)

# love<sup>h</sup>ncare™

[www.lovencare.com.au](http://www.lovencare.com.au)

Let's be friends!



<http://www.facebook.com/lovencare1>



<https://www.instagram.com/lovencare/>



100 % AUSTRALIAN OWNED SINCE 1984