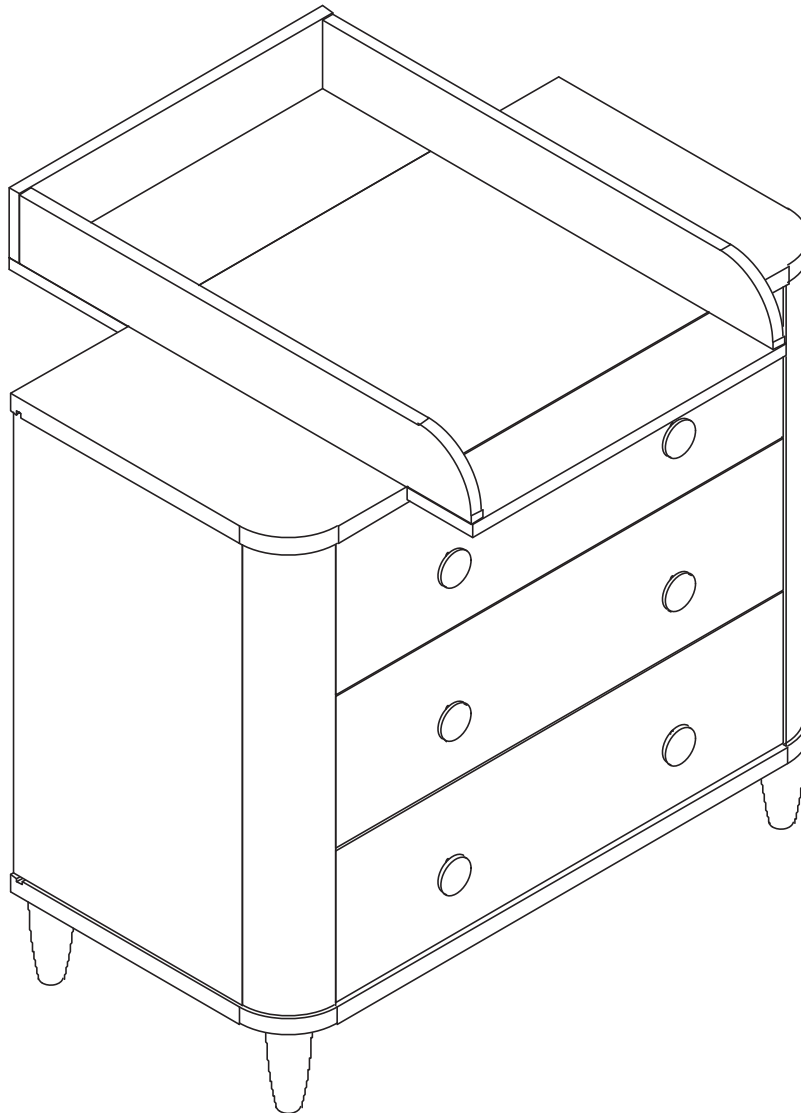


lovenhcare™

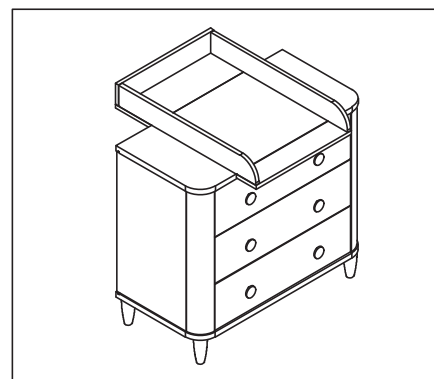
NOOR CHEST

CAP 110

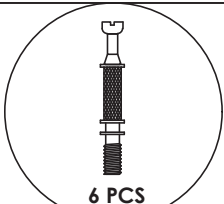
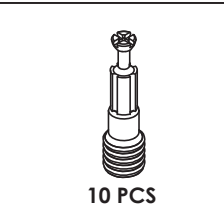
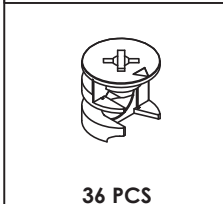
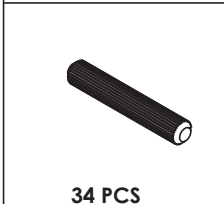
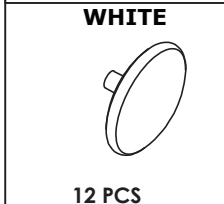
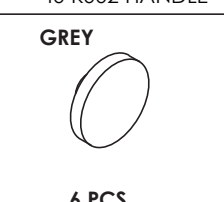
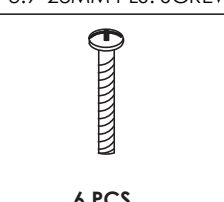
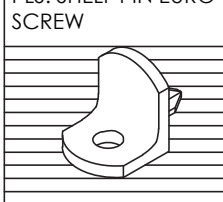
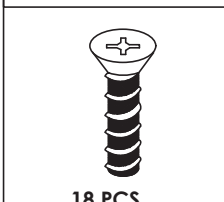
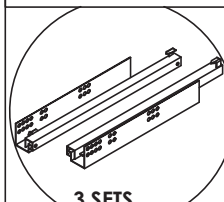
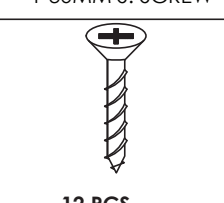
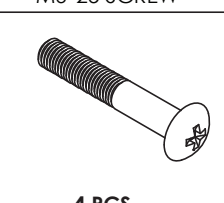
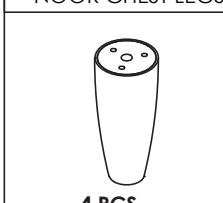
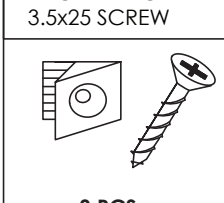
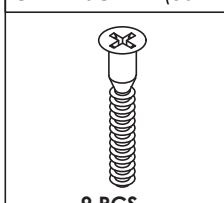
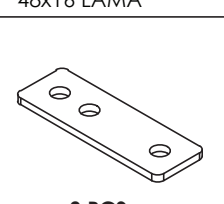
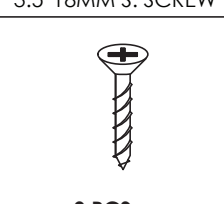
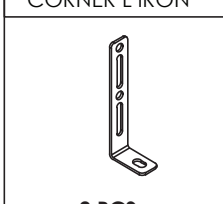


**IMPORTANT:
RETAIN FOR FUTURE REFERENCE**

NOOR CHEST CAP 110

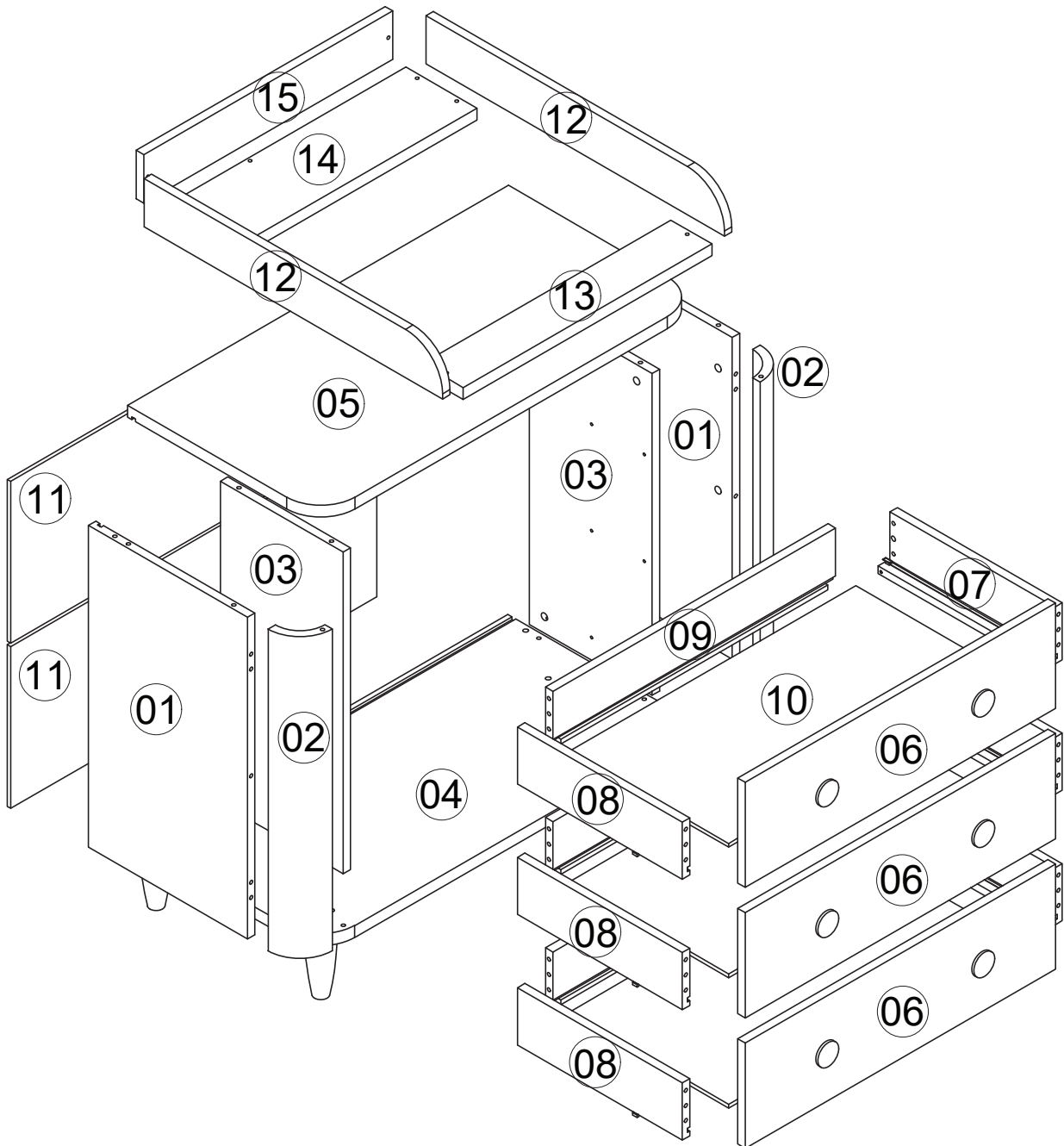


HARDWARE ACCESSORIES LIST

ACCESSORY NO: 001 MINIFIX 6MM  6 PCS	ACCESSORY NO: 317 MINIFIX SHAFT 10MM  10 PCS	ACCESSORY NO: 002 MINIFIX BODY  36 PCS	ACCESSORY NO: 004 8x30 DOWEL  34 PCS	ACCESSORY NO: 020 MINIFIX PLUG WHITE  12 PCS
ACCESSORY NO: 519 40 K002 HANDLE GREY  6 PCS	ACCESSORY NO: 533 3.9*28MM PLS. SCREW  6 PCS	ACCESSORY NO: 406 PLS. SHELF PIN EURO SCREW  6 PCS	ACCESSORY NO: 120 6.3*13MM EURO SCREW  18 PCS	ACCESSORY NO: 351 TANDEM RAY 400  3 SETS
ACCESSORY NO: 095 4*30MM S. SCREW  12 PCS	ACCESSORY NO: 299 M6*25 SCREW  4 PCS	ACCESSORY NO: 524 NOOR CHEST LEGS  4 PCS	ACCESSORY NO: 011 BACK FIXING 3.5x25 SCREW  8 PCS	ACCESSORY NO: 091 CABIN SCREW (50mm)  9 PCS
ACCESSORY NO: 604 48x16 LAMA  3 PCS	ACCESSORY NO: 113 3.5*18MM S. SCREW  9 PCS	ACCESSORY NO: 588 CORNER L IRON  2 PCS		

Product development dictates that components may occasionally differ from the ones shown in the diagrams of these instructions. The right to change the specifications and design of the furniture without prior notice remains with the manufacturer.

NOOR CHEST PARTS



No	Pcs	Dimension (mm)	No	Pcs	Dimension (mm)
01	2	676x386	10	3	696x387
02	2	676x78	11	2	889x340
03	2	676x234	12	2	761x101
04	1	926x470	13	1	528x110
05	1	926x470	14	1	528x200
06	3	753x221	15	1	528x102
07	3	400x120			
08	3	400x120			
09	3	686x120			

INSTRUCTIONS FOR SAFE USE AND MAINTENANCE

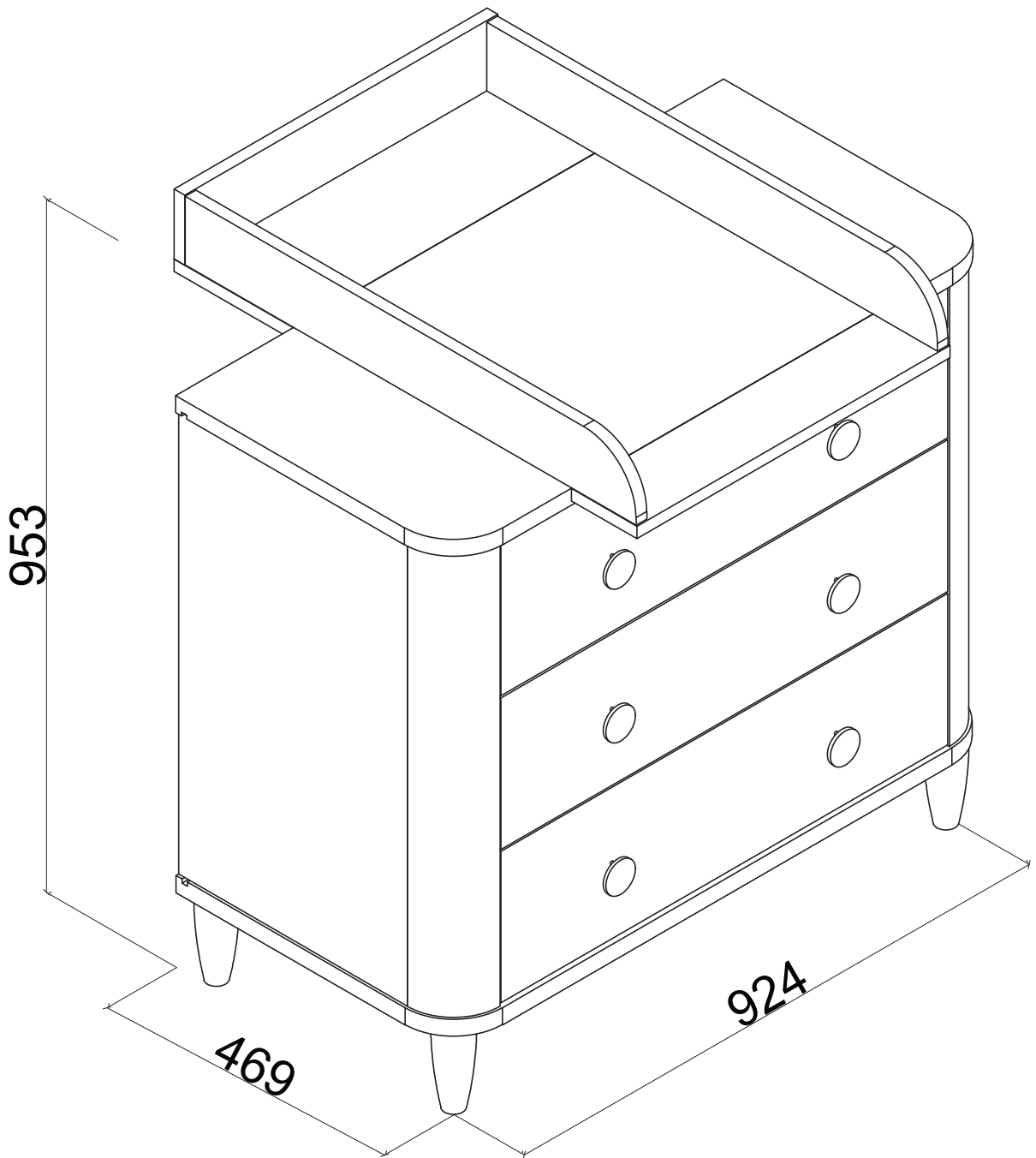
1. WARNING: NEVER LEAVE YOUR CHILD UNATTENDED. THE SAFETY OF YOUR CHILD IS YOUR RESPONSIBILITY.
2. Do not allow children to climb on the dresser.
3. Never leave your child unattended on the dresser.
4. Never use the dresser if it is broken or damaged or there are parts missing.
5. Do not place the dresser in or near the vicinity of open fires or other sources of strong heat, such as gas or electric fires.
6. Always leave the dresser clean and dry. Wipe away any spillage straight away. The dresser can be cleaned with a clean damp cloth. Do not use aggressive cleaning agents such as bleach or strong detergents.
7. Check on a regular basis that all fittings and screws are correctly tightened and are not damaged. Loose screws can pinch parts of the body and clothing resulting in the risk of strangulation.
8. Only use a changing pad which perfectly fits between the borders of the changing unit. Never use a changing pad which is too big.
9. Maximum weight of the child 15 kg or maximum age to 12 months.
10. Use only spare parts approved by Love N Care.

Congratulations and thank you for choosing a Love N Care product.

The furniture you have purchased is constructed from high quality materials for strength and durability. Here are some tips on how you can preserve its beauty for a long time.

1. Do not expose furniture to strong sunlight, direct heat sources, extreme changes in temperature or moisture.
2. Wipe up spills immediately with a soft, clean cloth.
3. Urine spills on furniture can cause discolouration.
4. Clean furniture by wiping the surface with a soft cloth dampened with water.
5. If necessary clean furniture using a mild soap solution and wipe clean with a soft cloth dampened with water and then dry with soft clean cloth.
6. Do not use strong household cleaners.
7. Always wipe in the direction of the grain in the wood do not wipe in a circular motion.
8. Avoid contact with sharp objects, or containers containing hot liquid.
9. Avoid contact with 'rubber feet' on items such as radios, computers, telephones etc. Use a felt mat (not plastic) to protect furniture surfaces.
10. Do not open more than one drawer at a time.
11. When moving furniture do not drag always lift and place in position.

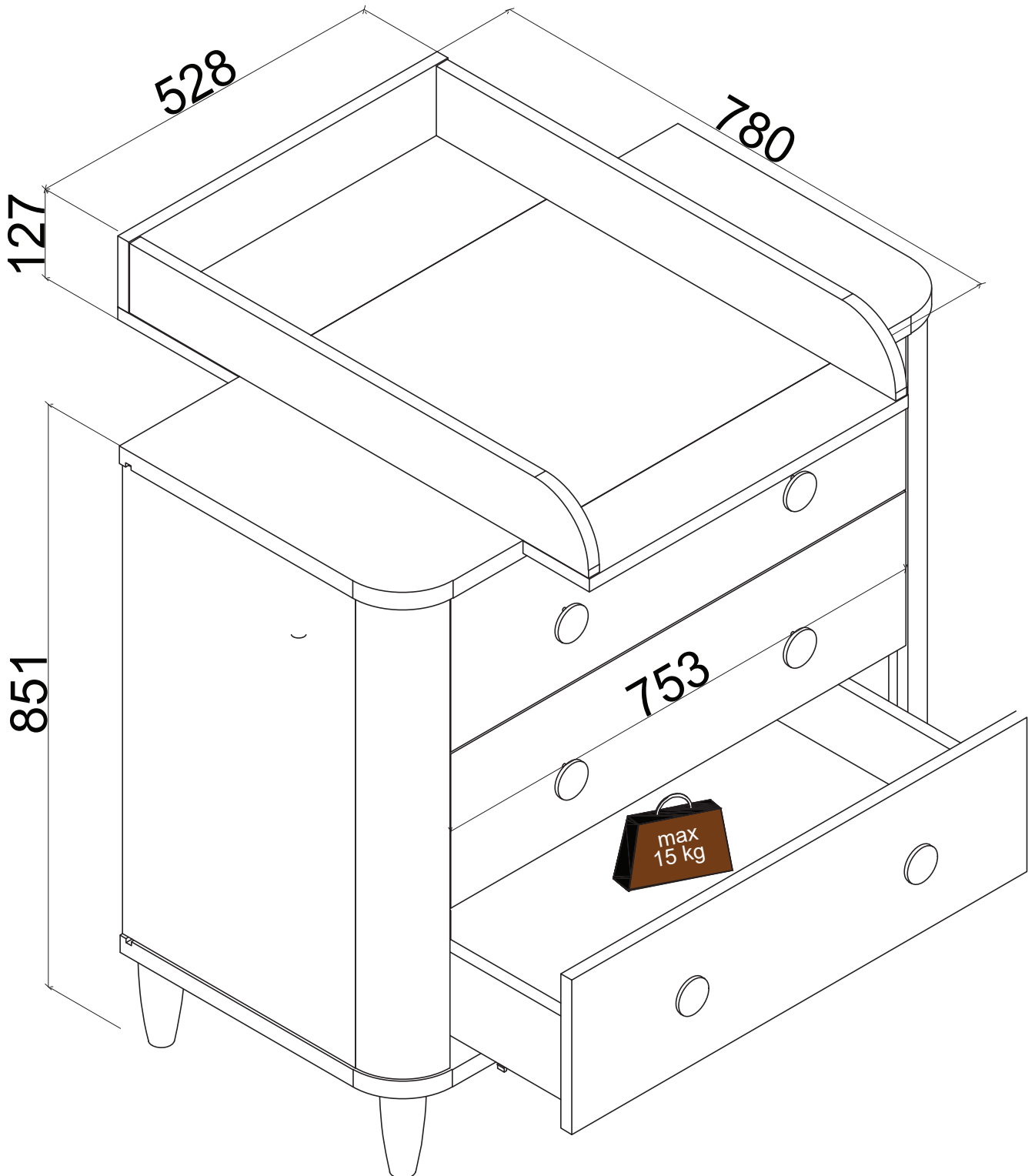
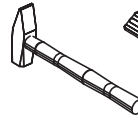
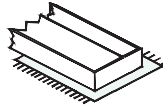
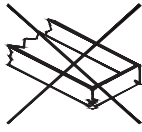
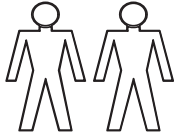
DIMENSIONS



INSTALLATION STEPS

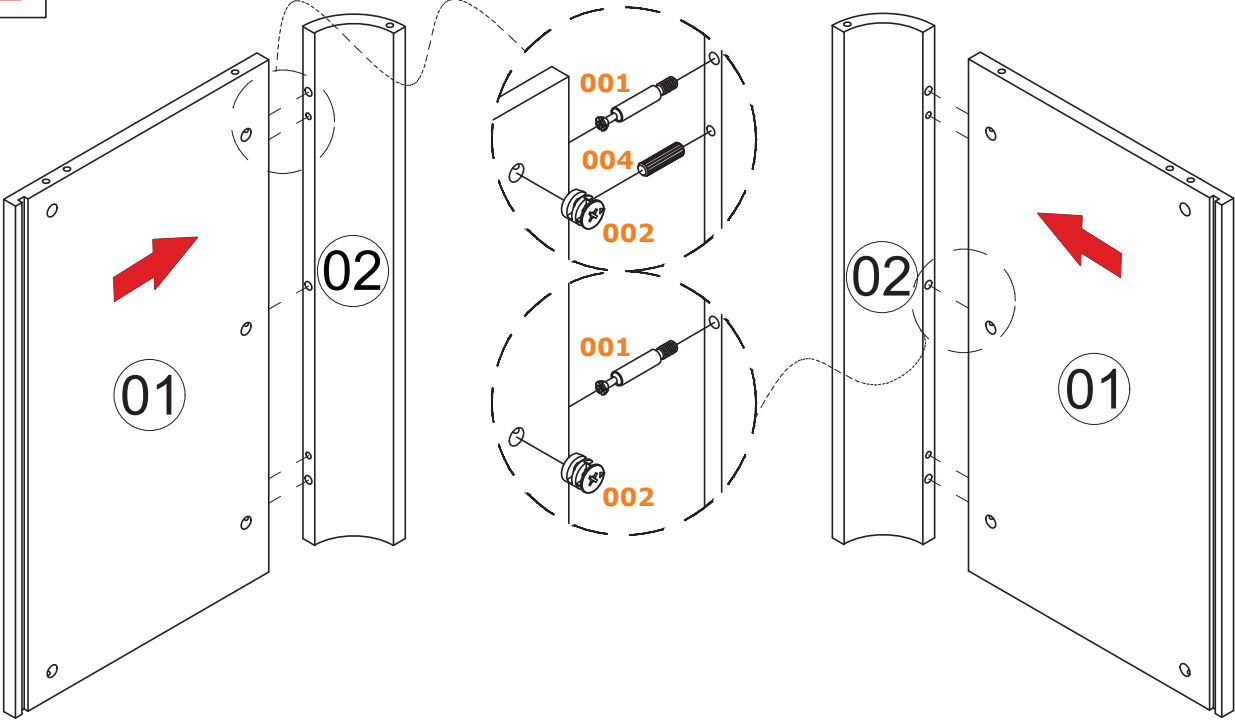


60 MIN

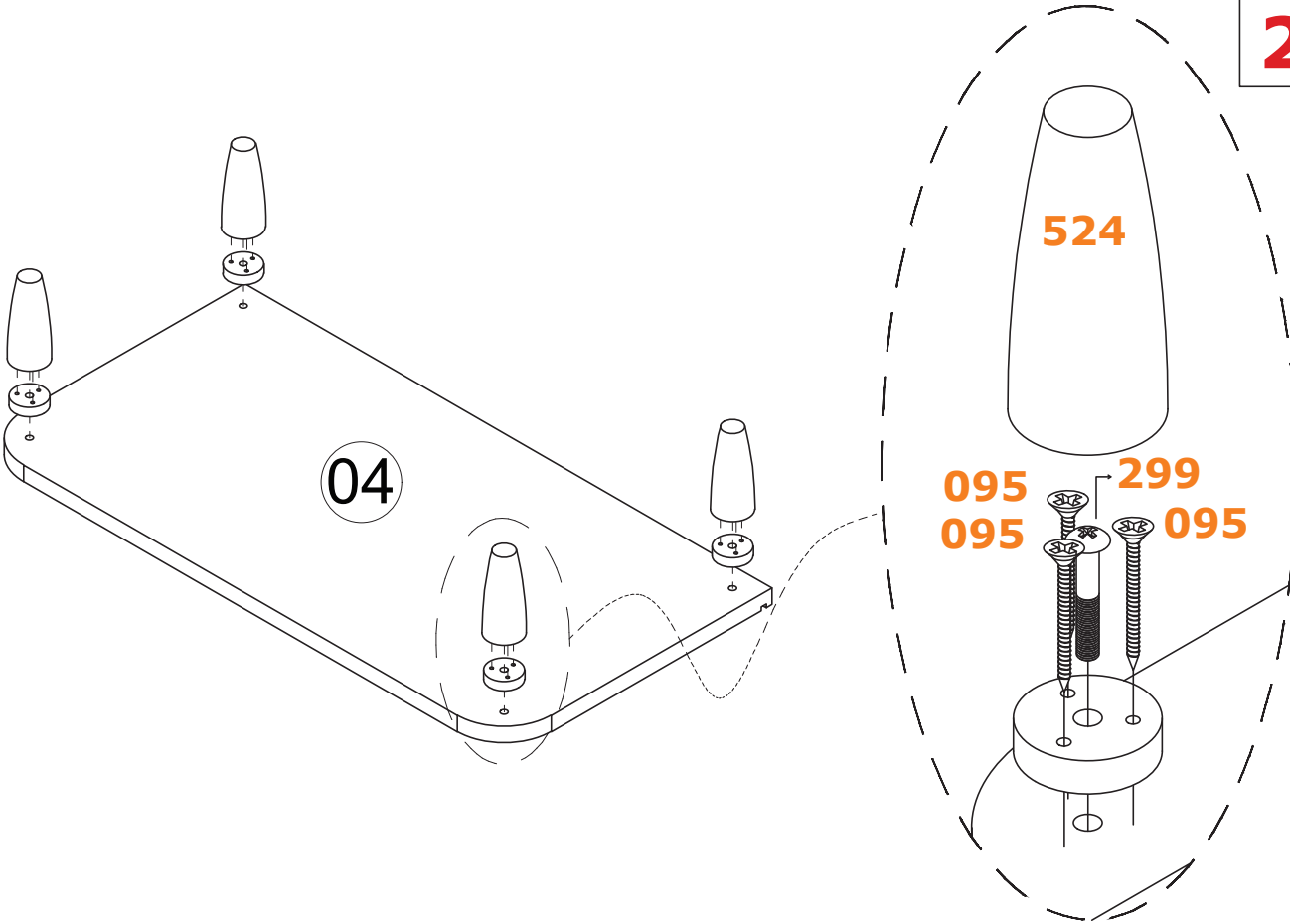


INSTALLATION STEPS

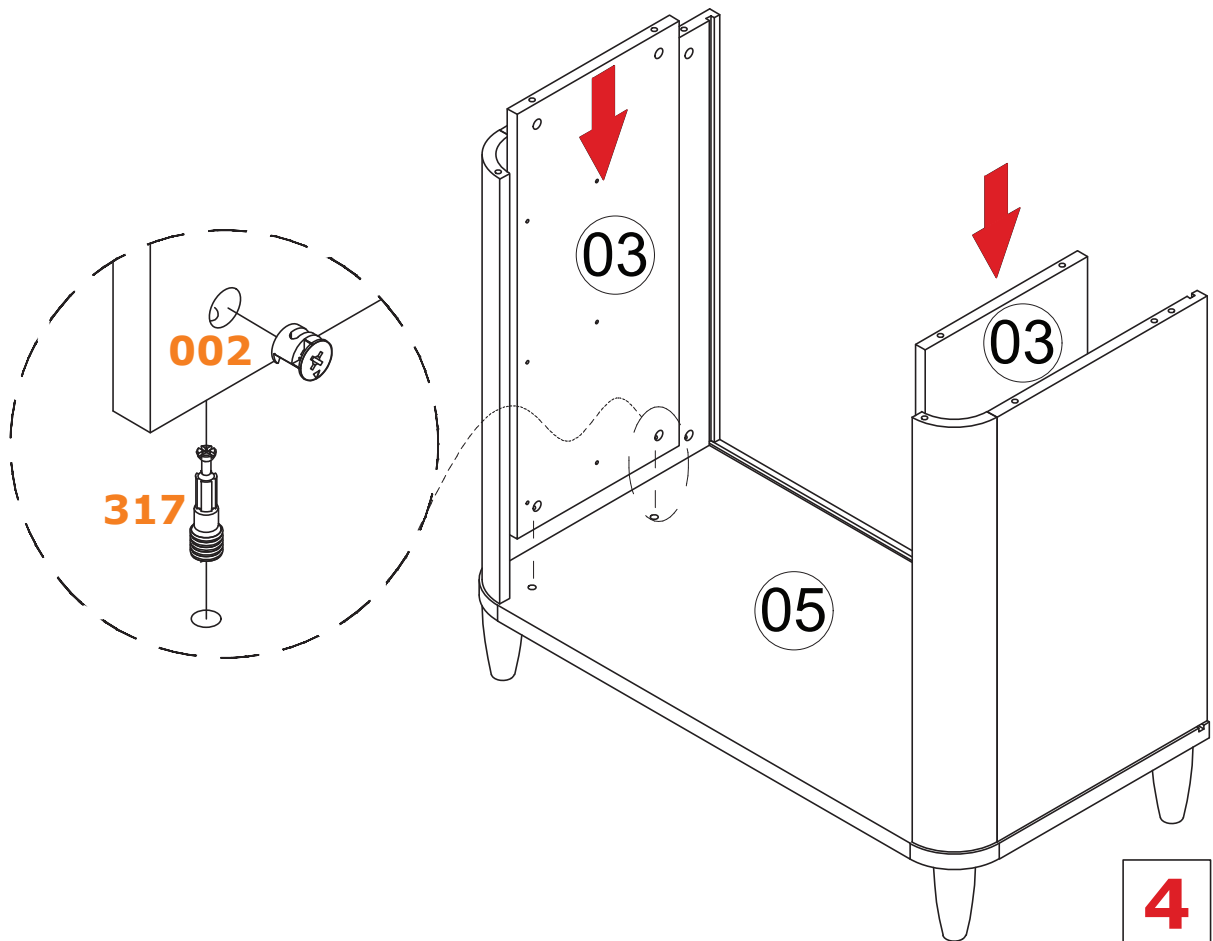
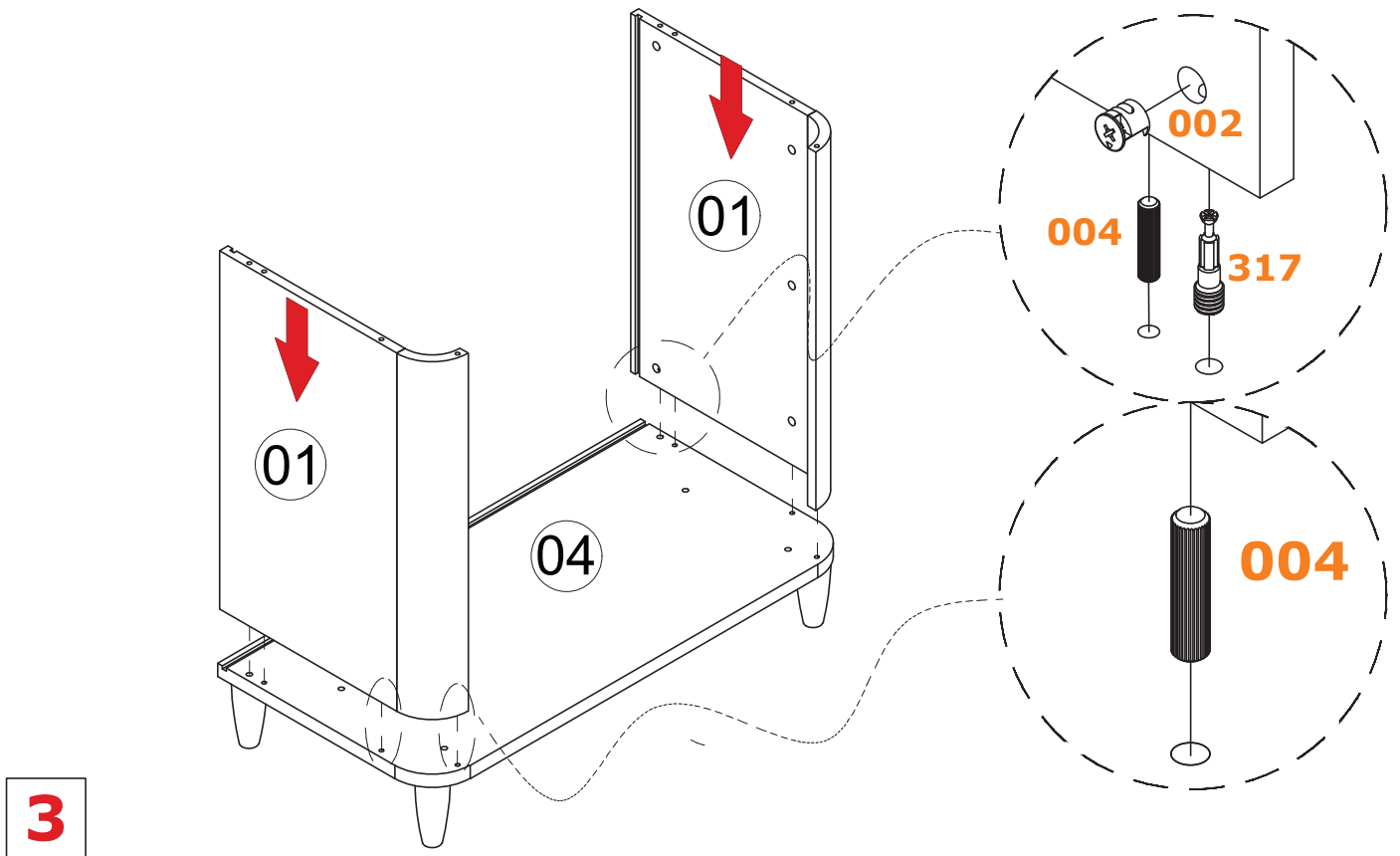
1



2

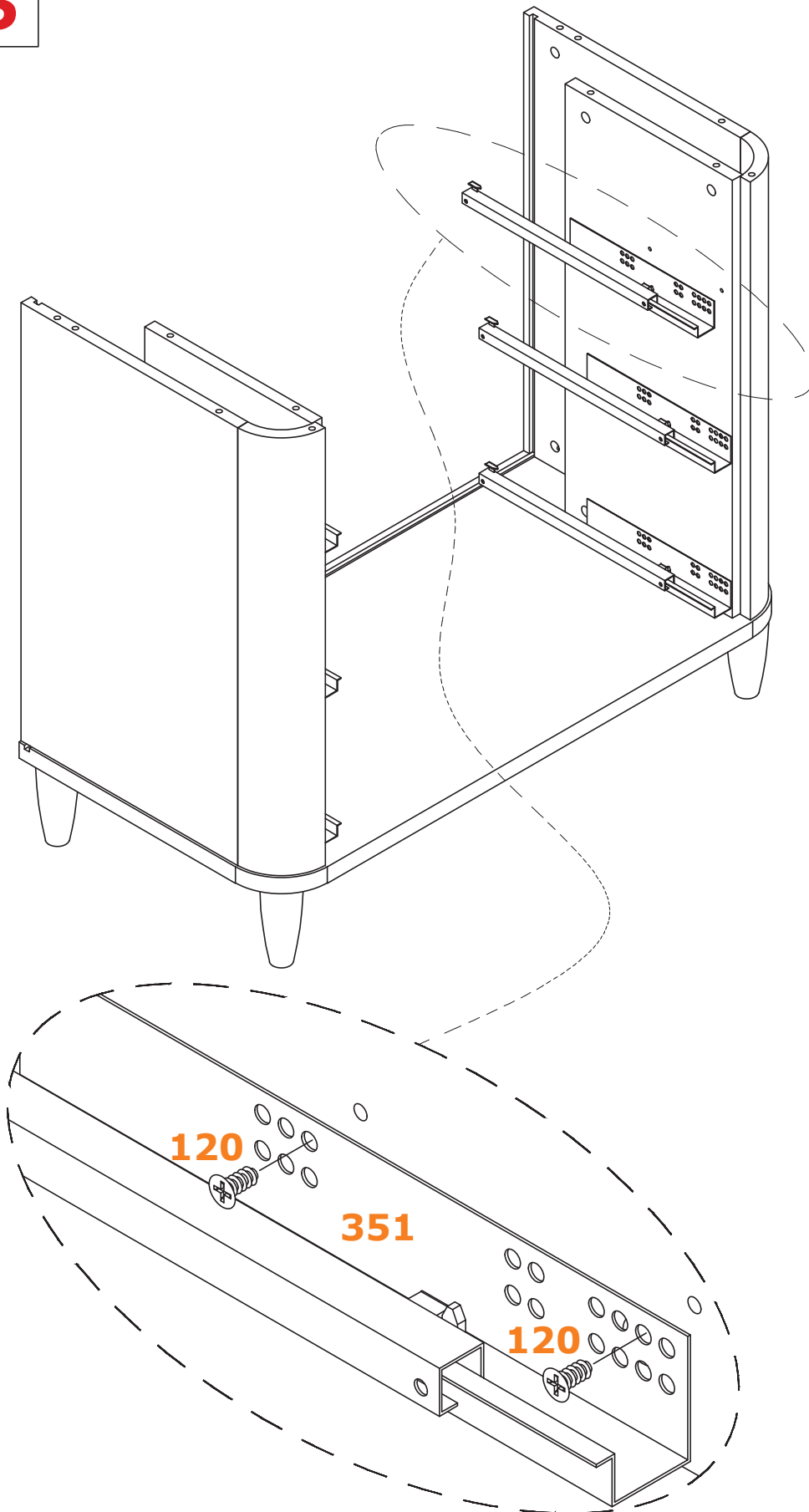


INSTALLATION STEPS

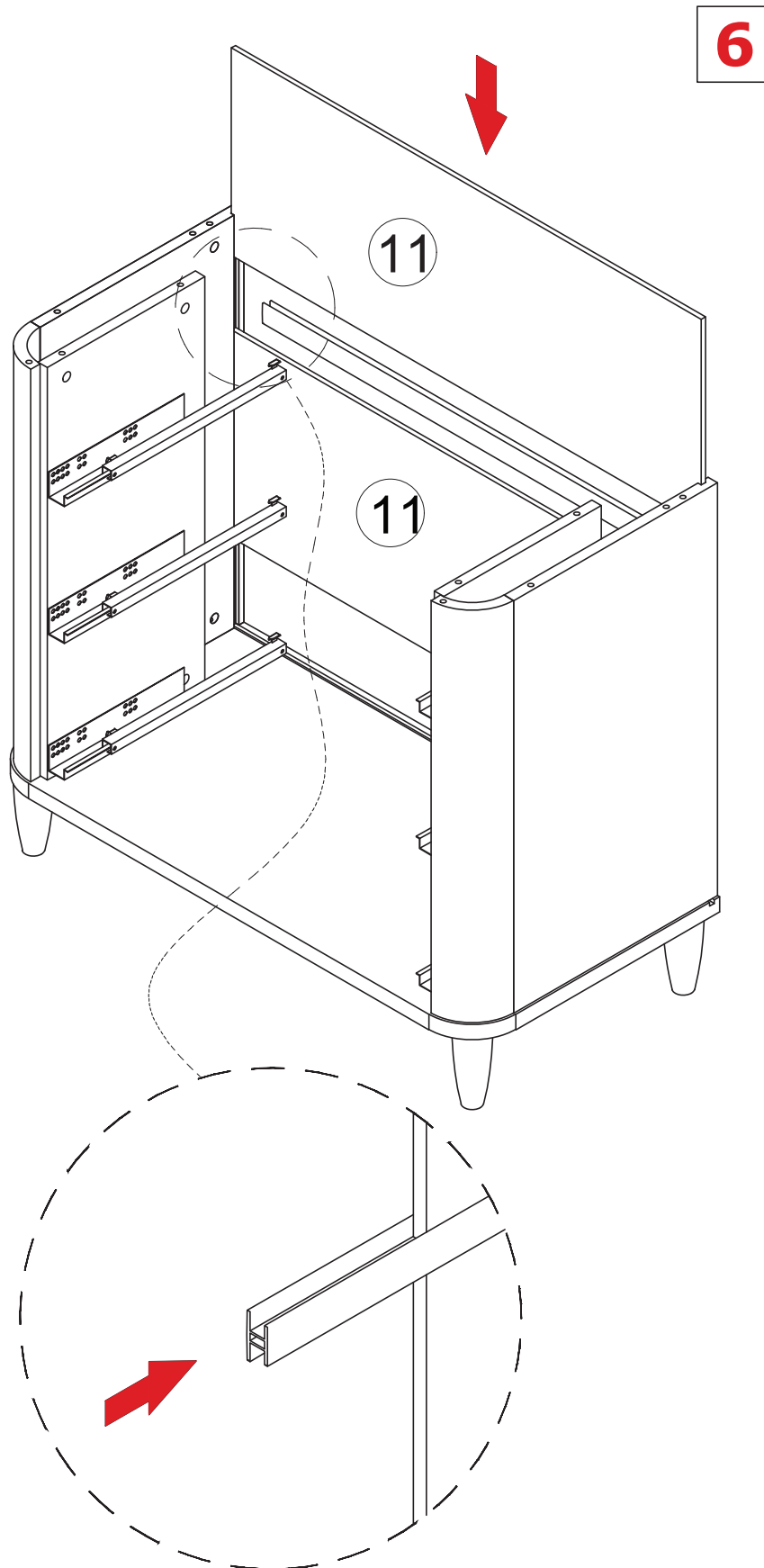


INSTALLATION STEPS

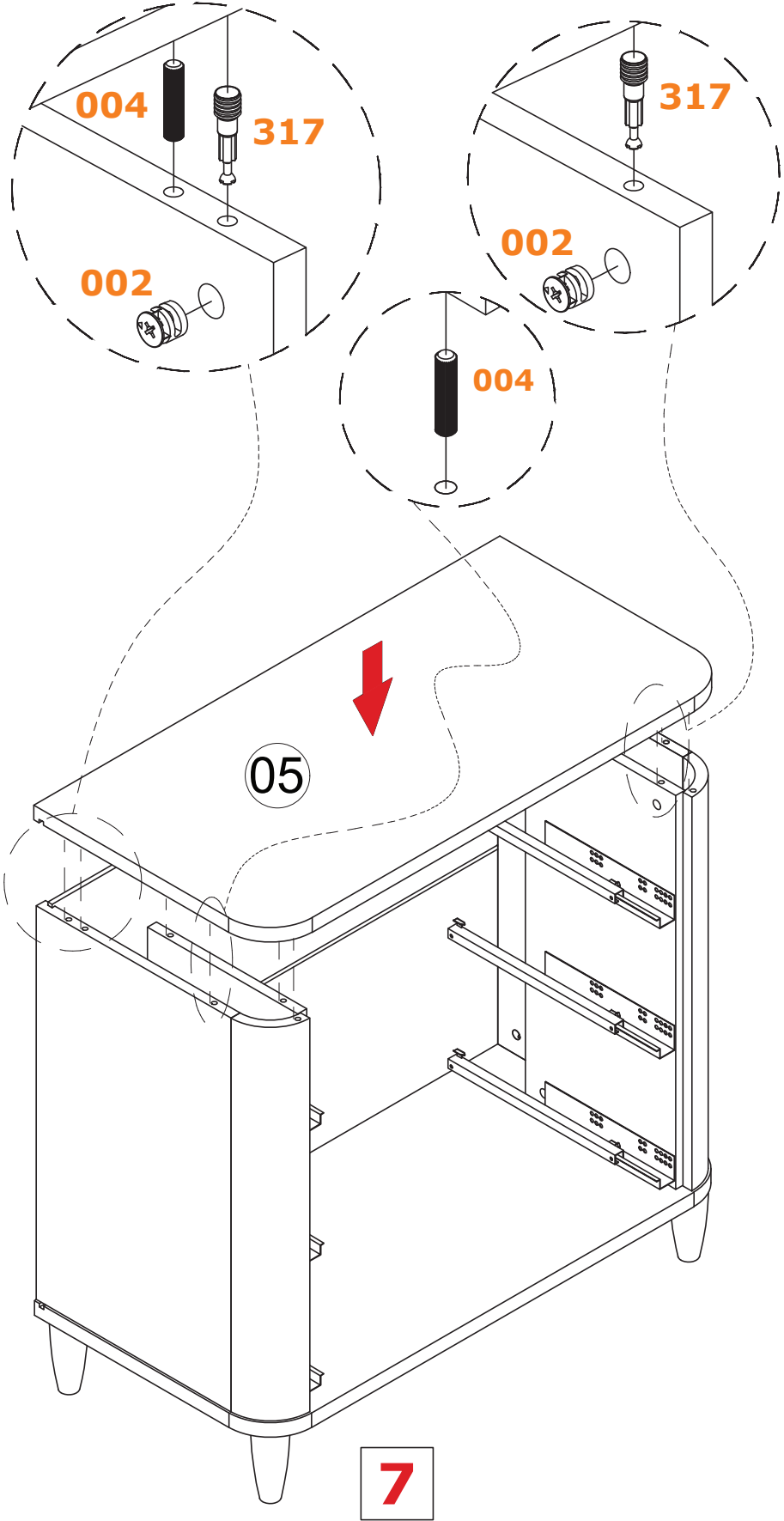
5



INSTALLATION STEPS

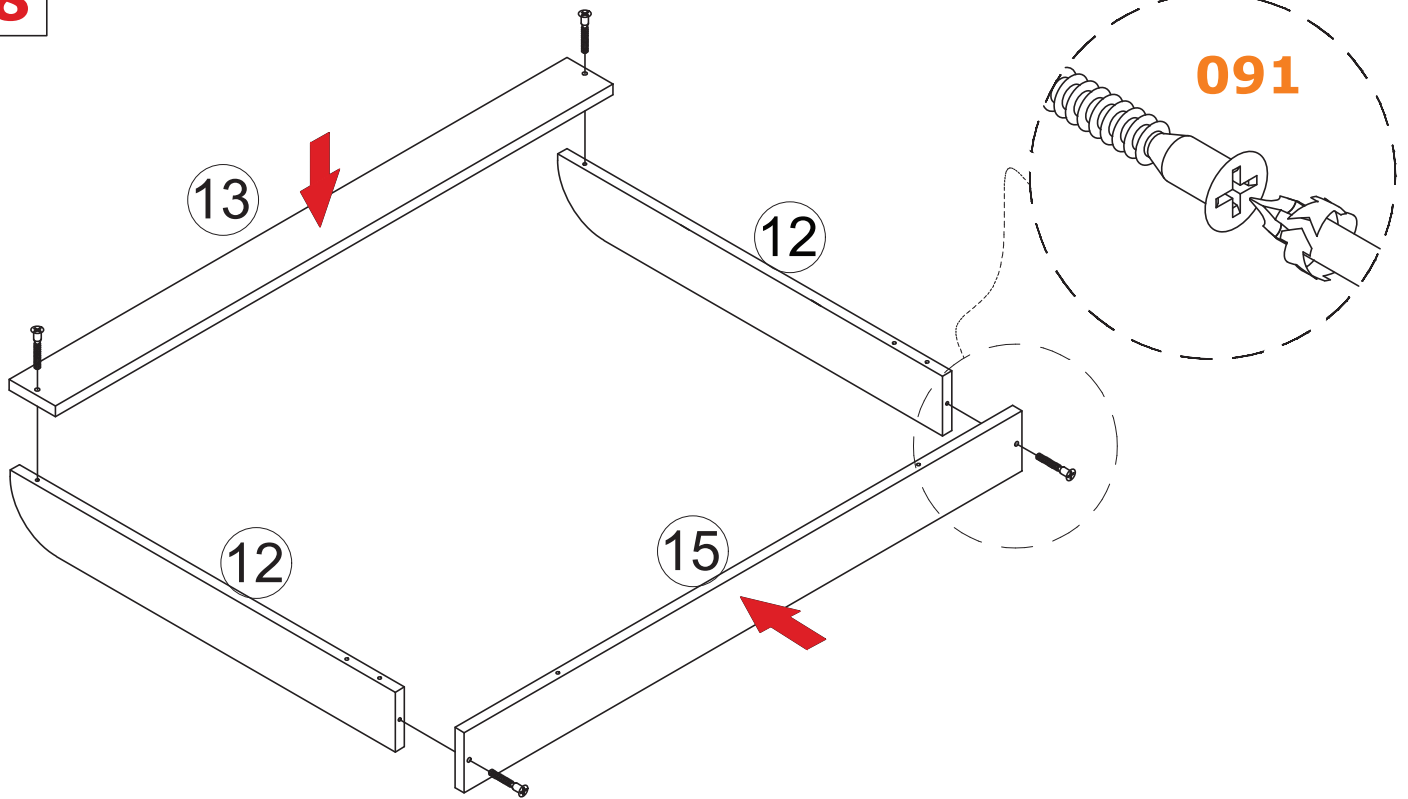


INSTALLATION STEPS

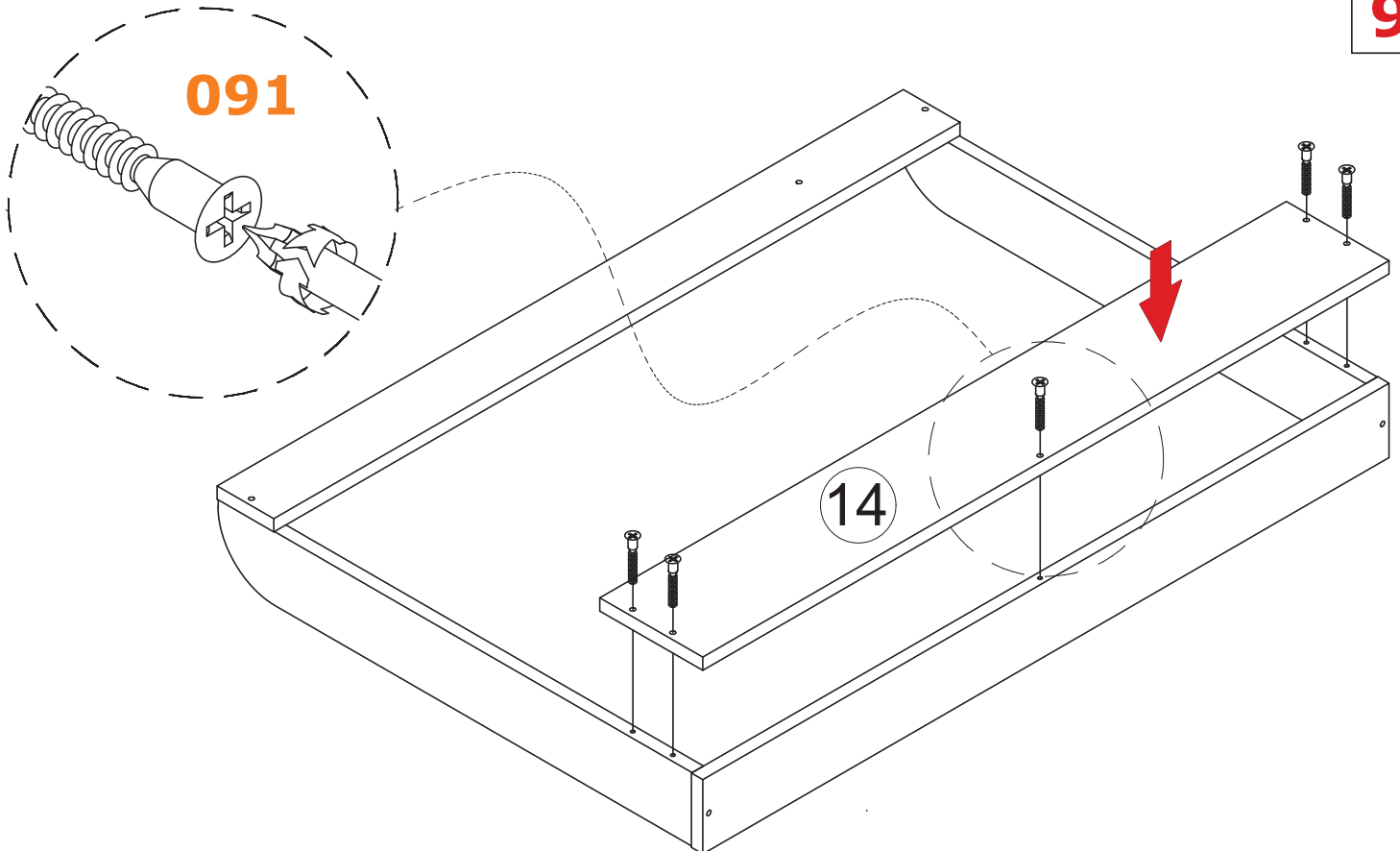


INSTALLATION STEPS

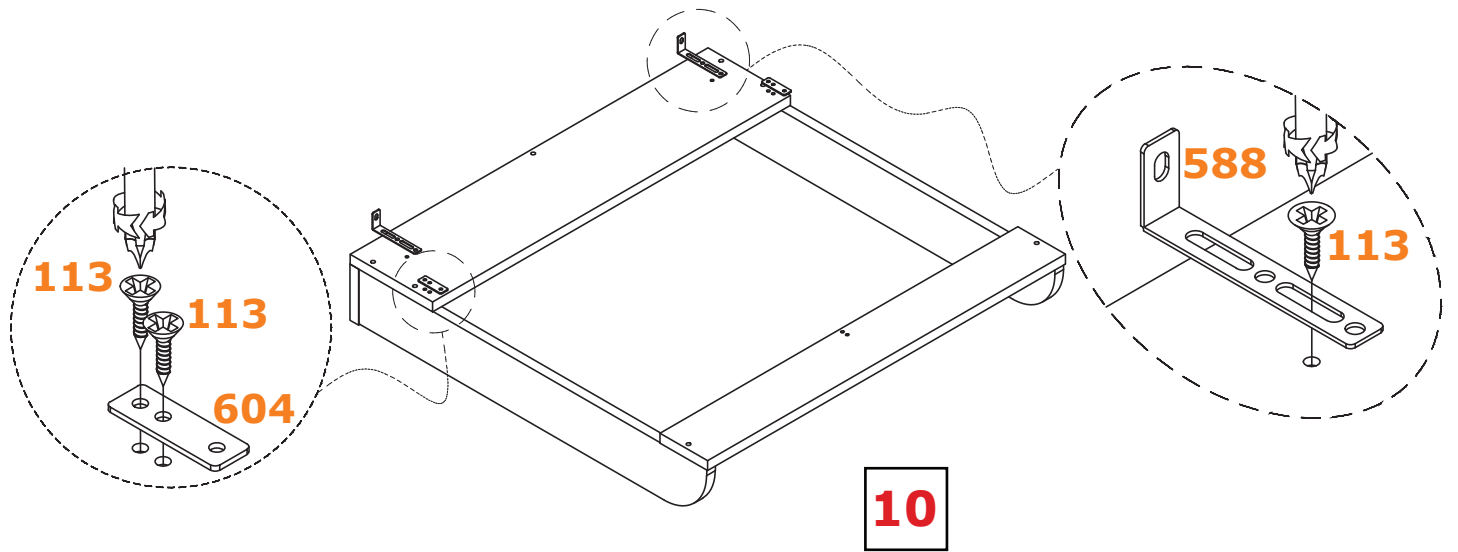
8



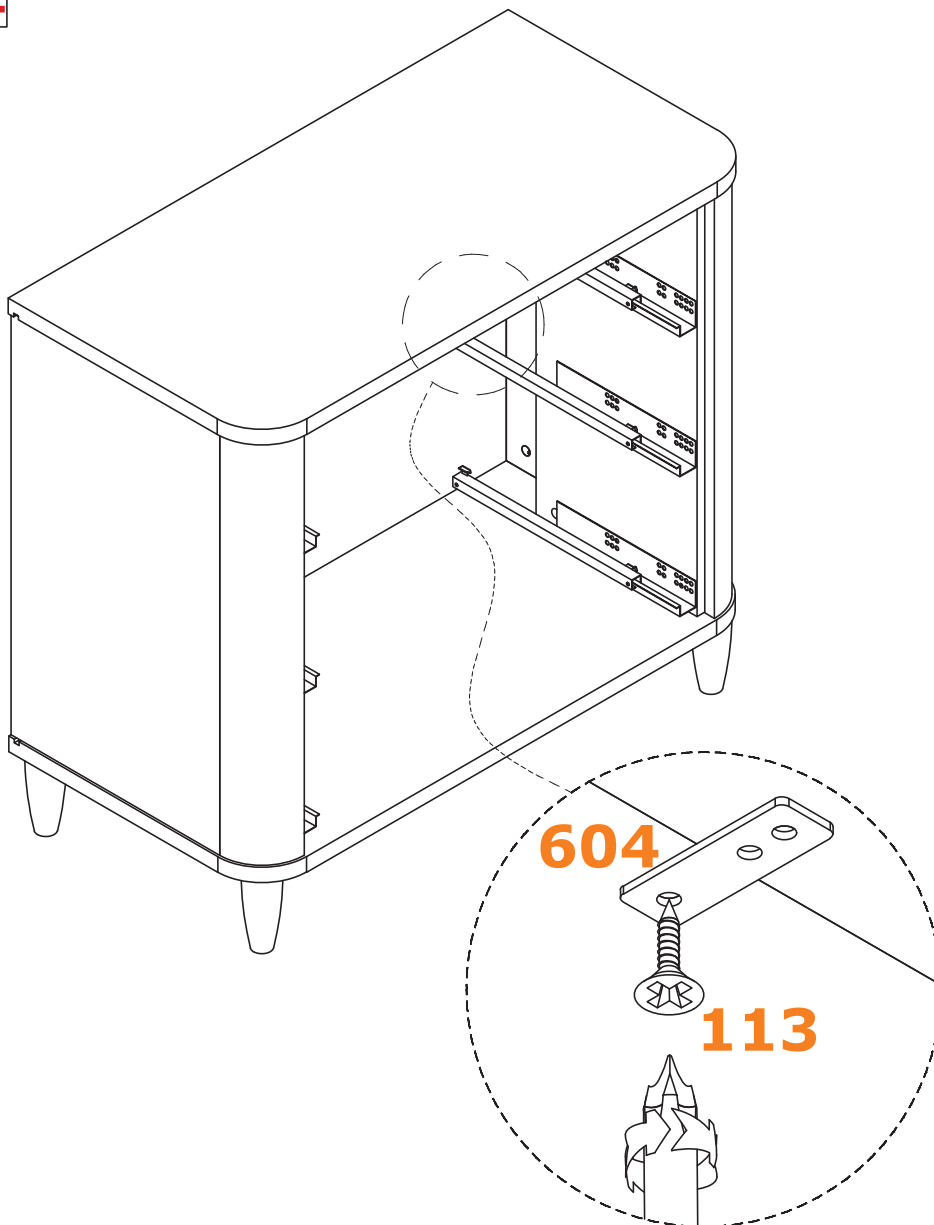
9



INSTALLATION STEPS

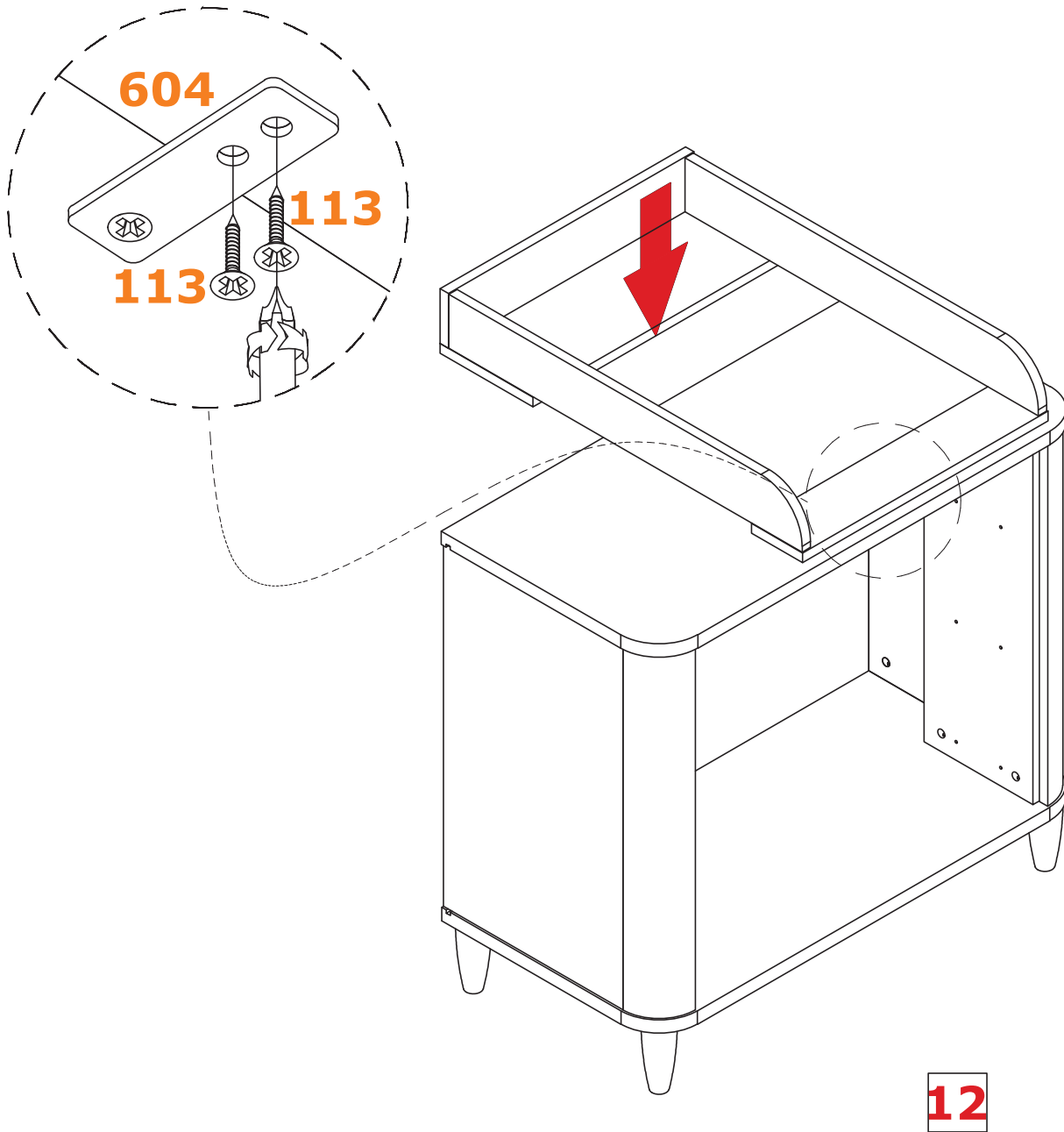


11



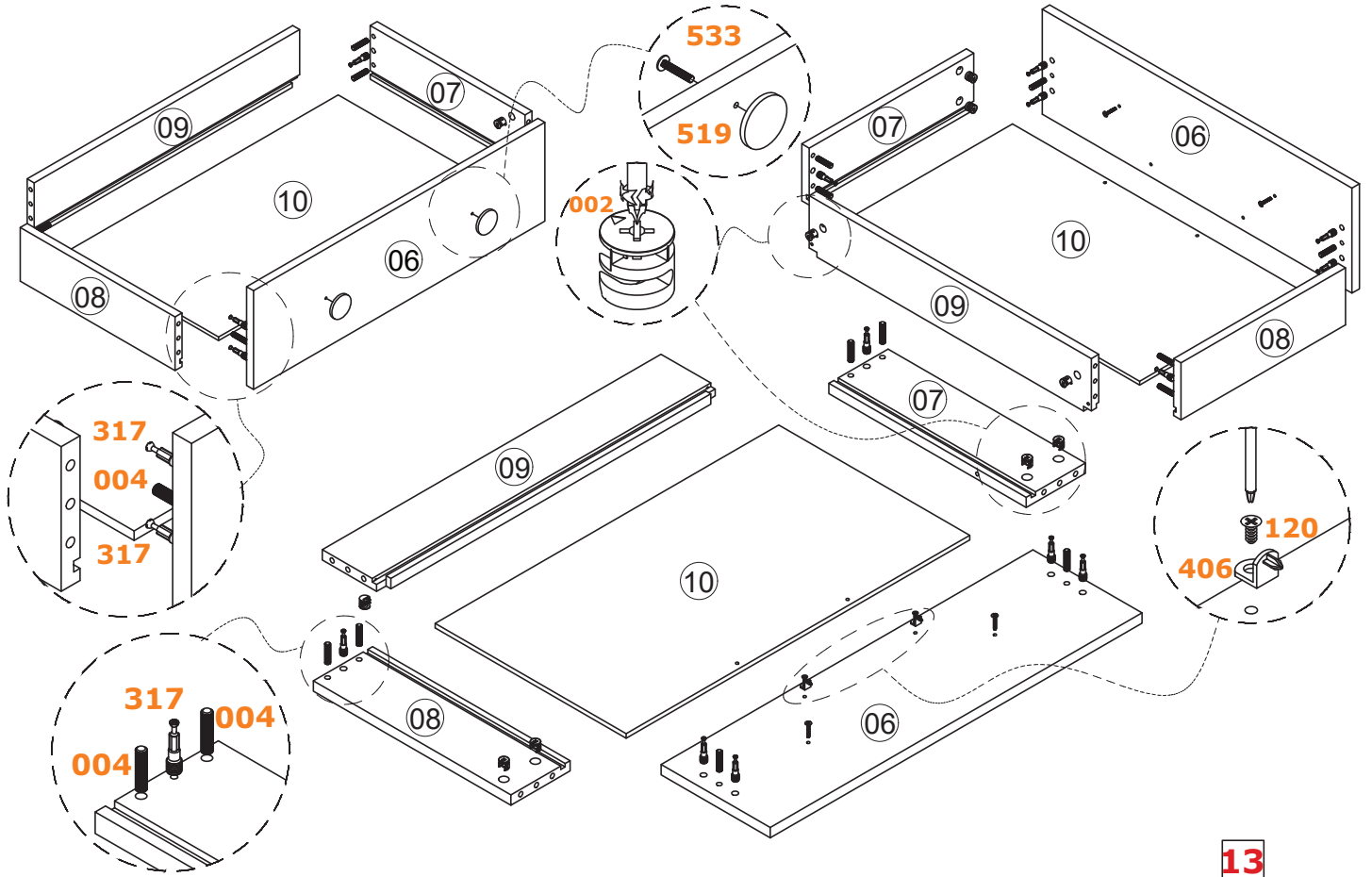
12.

INSTALLATION STEPS



12

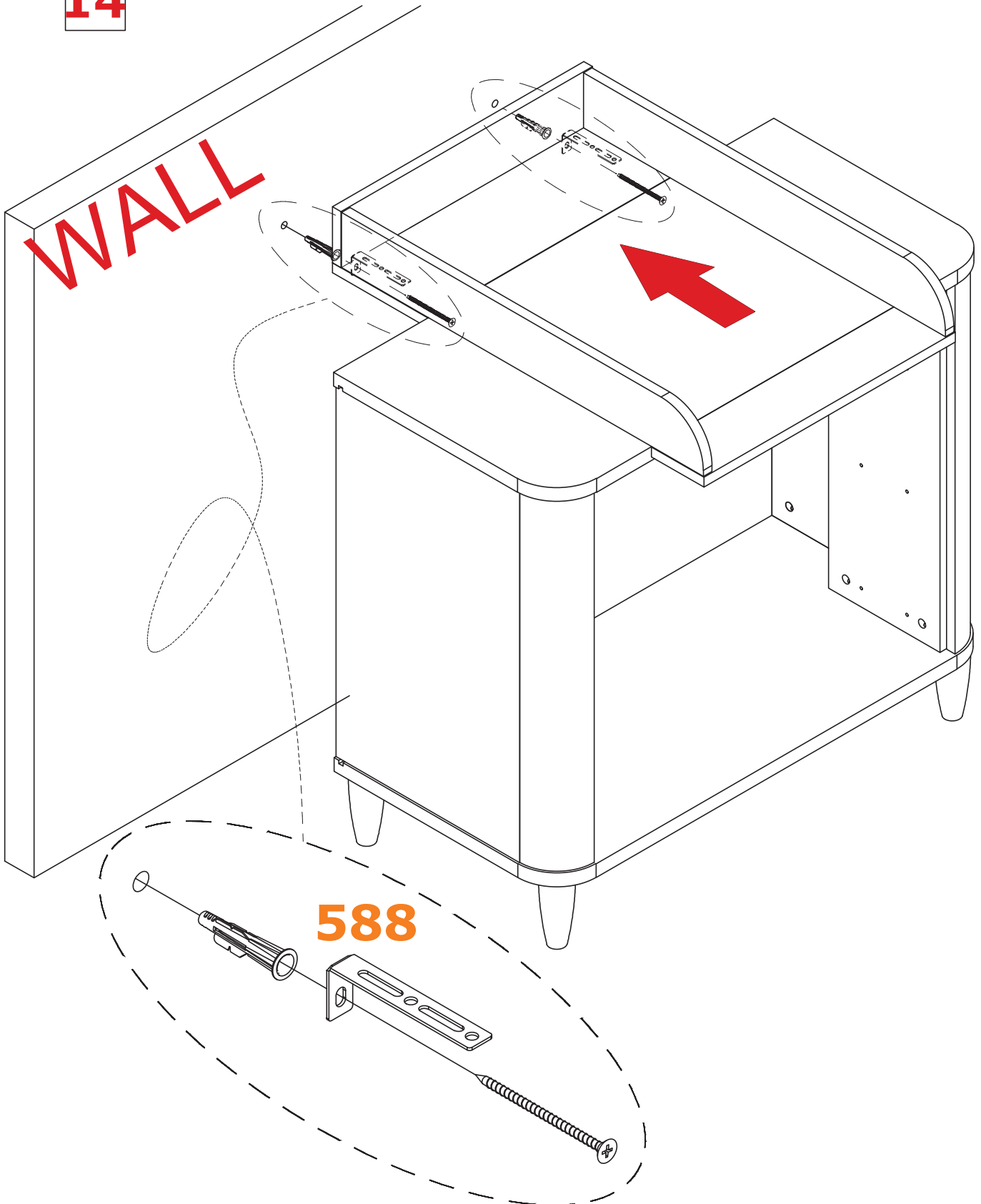
INSTALLATION STEPS



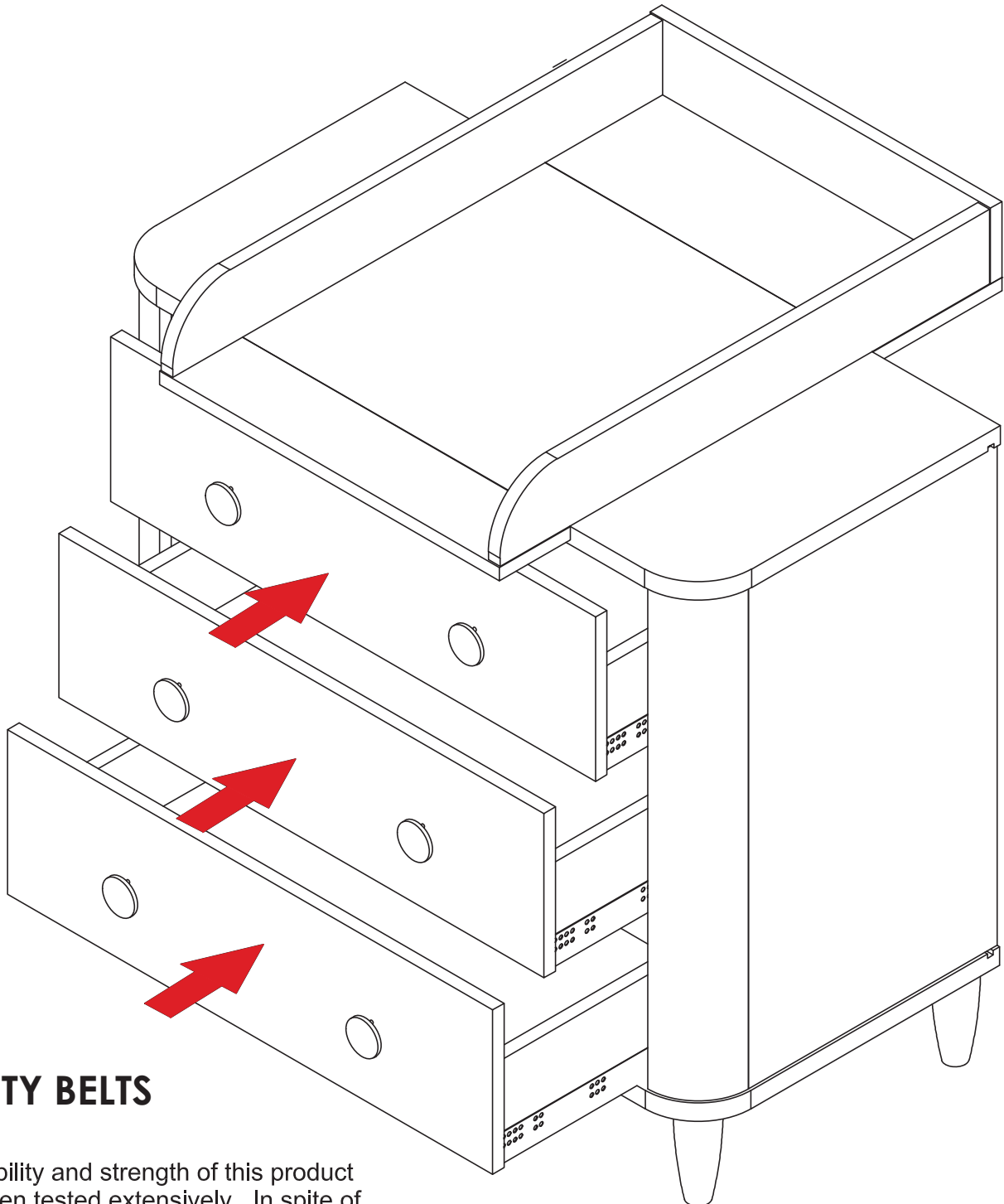
13

INSTALLATION STEPS

14



INSTALLATION STEPS



SAFETY BELTS

The stability and strength of this product have been tested extensively. In spite of taking good care of your child's behaviour; the child should not be climbing into or hanging on the product. This could be dangerous, especially when the drawers and doors are open. To guarantee the safety of your child as much as possible you must fit the included safety belts according to the assembling instructions; ensuring that the fastenings used are appropriate to the wall type.

15

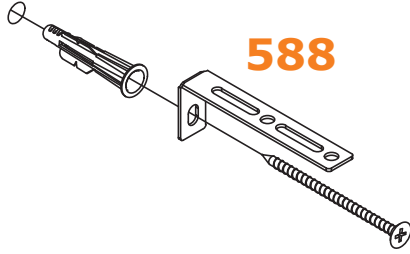
INSTALLATION STEPS

16

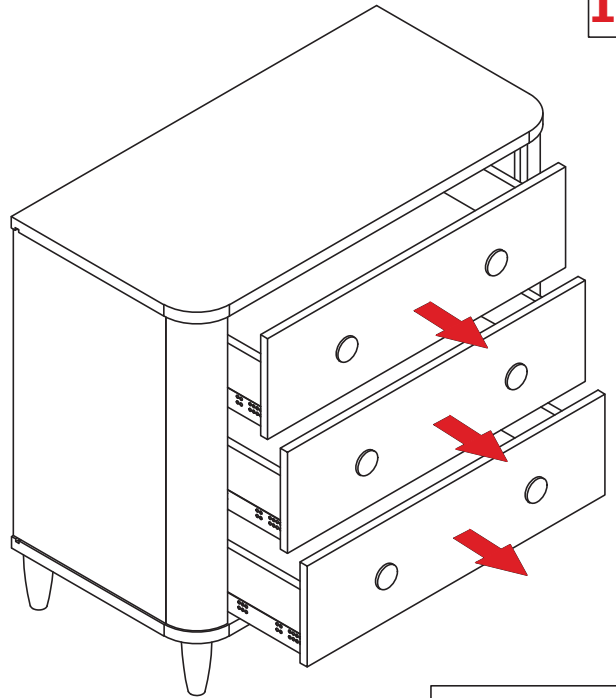
WALL



588

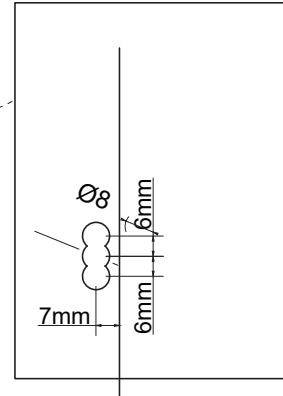
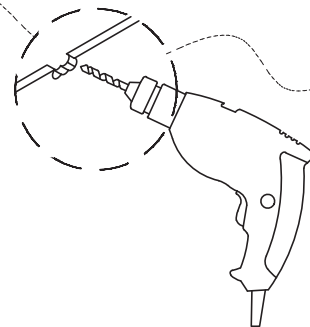
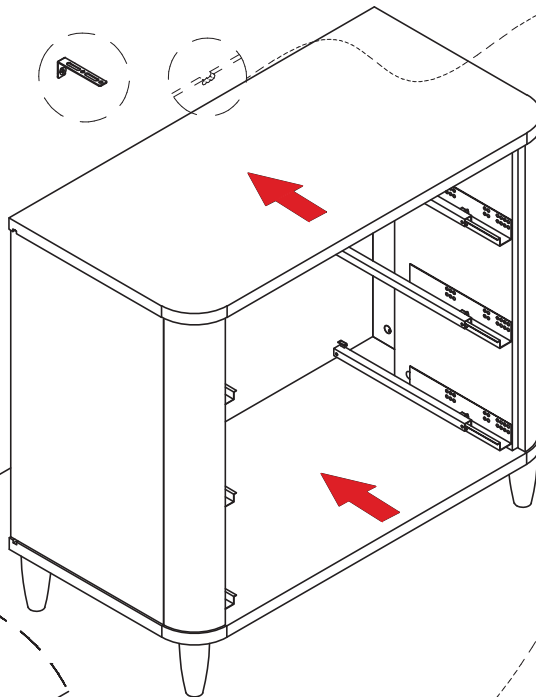


17

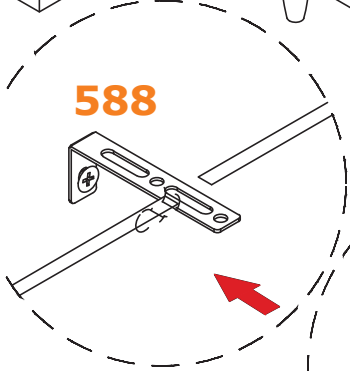


18

WALL

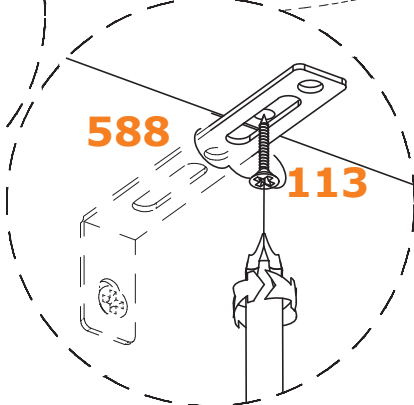


588

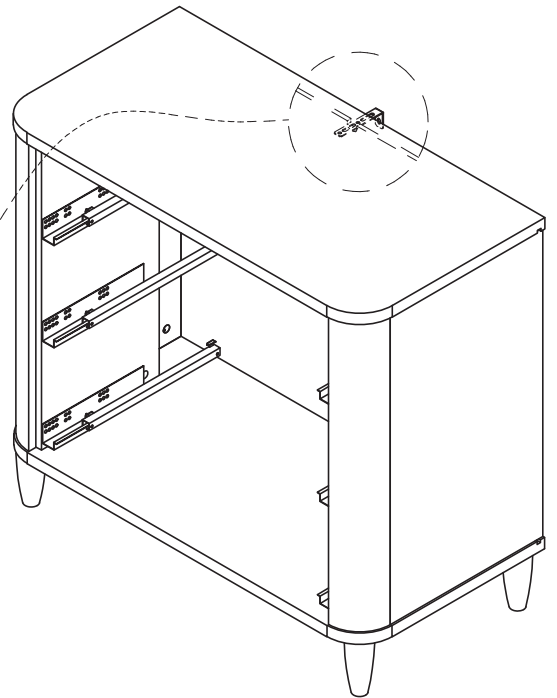


588

113



19



Warranty Against Defects

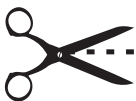
ALL LOVE N CARE PRODUCTS ARE GUARANTEED FOR TWELVE MONTHS FROM THE DATE OF PURCHASE.

OUR GOODS COME WITH GUARANTEES THAT CANNOT BE EXCLUDED UNDER THE AUSTRALIAN CONSUMER LAW. YOU ARE ENTITLED TO A REPLACEMENT OR REFUND FOR A MAJOR FAILURE AND FOR COMPENSATION FOR ANY OTHER REASONABLY FORSEEABLE LOSS OR DAMAGE. YOU ARE ALSO ENTITLED TO HAVE THE GOODS REPAIRED OR REPLACED IF THE GOODS FAIL TO BE OF ACCEPTABLE QUALITY AND THE FAILURE DOES NOT AMOUNT TO A MAJOR FAILURE.

THIS COVERS AGAINST FAULTS WHICH DEVELOP THROUGH FAULTY MATERIALS AND WORKMANSHIP. MISUSE, ACCIDENTAL DAMAGES, NORMAL WEAR AND TEAR OR NEGLIGENCE ARE NOT COVERED.

IF A FAULT BECOMES APPARENT, PLEASE RETURN THE ITEM TO THE STORE OF PURCHASE WITH YOUR RECEIPT. YOU MUST INFORM THE STORE WHAT THE DEFECT IS. WE WILL THEN ARRANGE FOR ITS REPAIR OR IT WILL BE ASSESSED FOR REPLACEMENT AS EXPEDITIOUSLY AS POSSIBLE. THE BENEFITS OF THIS WARRANTY ARE IN ADDITION TO OTHER RIGHTS AND REMEDIES UNDER THE LAW IN RELATION TO THE GOODS AND SERVICES TO WHICH THIS WARRANTY RELATES.

IF YOU ARE UNABLE TO RETURN THE ITEM TO THE STORE OF PURCHASE, YOU CAN CONTACT LOVE N CARE ON FREECALL 1300732599. WE WILL THEN ORGANISE FOR EITHER SOMEBODY TO INSPECT THE ITEM OR ARRANGE FOR A COURIER TO PICK IT UP AND RETURN IT BACK TO YOU.



CAP 110 NOOR CHEST

12 MONTH WARRANTY

Please fill in this section to validate your warranty and send to: **297 Canterbury Rd Revesby NSW 2212**

Name: _____ Store Purchased: _____

Address: _____ Date Purchased: _____

Product Name/No. _____

Contact Us

Head Office:

Love N Care Pty Ltd.
297-299 Canterbury Rd, Revesby

NSW 2212 Australia

Contact No: 02 9774 4655

Fax: 02 9774 4633

Email: info@lovencare.com.au

Website: www.lovencare.com.au

loveⁿcare
lovencare.com.au

Let's be friends!

 <http://www.facebook.com/lovencare1>

 100 % AUSTRALIAN OWNED SINCE 1984