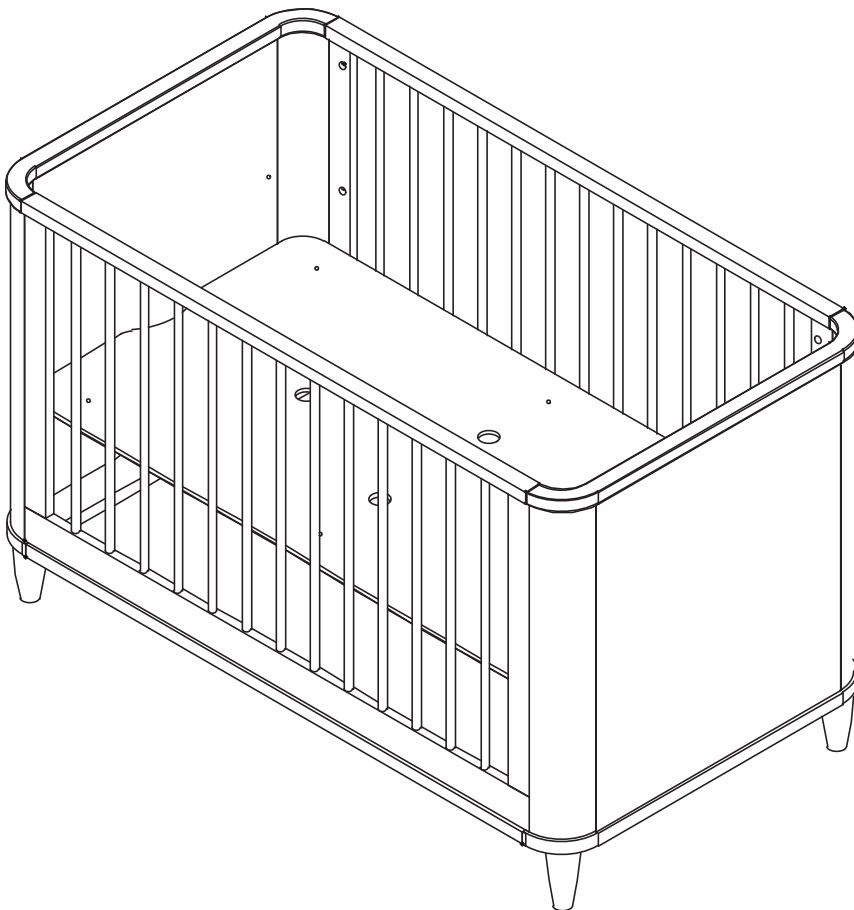


love^hcare™

NOOR COT

CAP 100





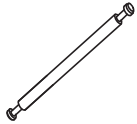

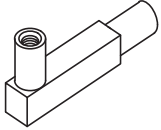



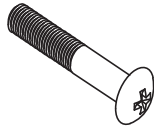



**IMPORTANT:
RETAIN FOR FUTURE REFERENCE**

NOOR COT

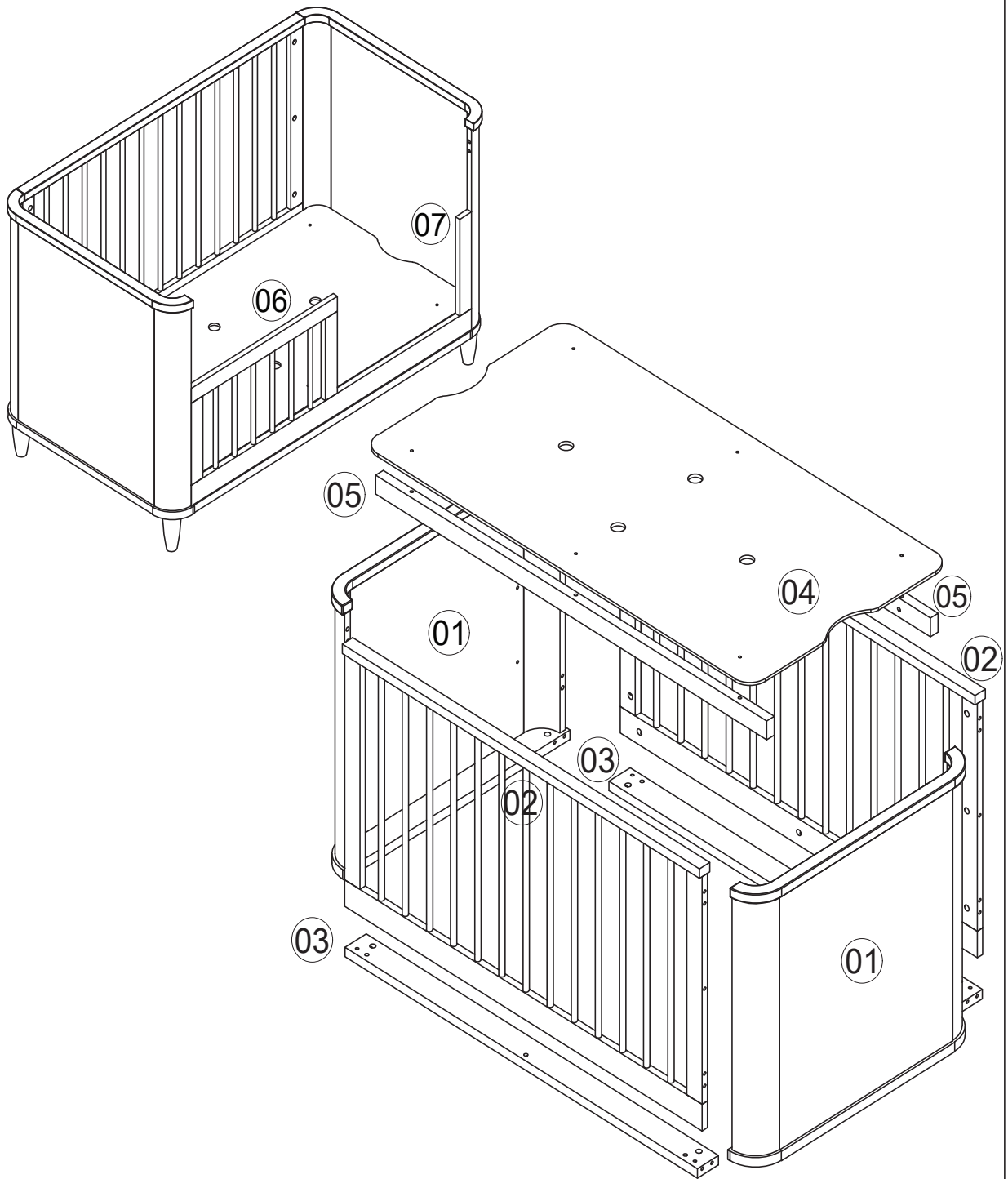
CAP 100



HARDWARE ACCESSORIES LIST

<p>ACCESSORY NO : 002</p> <p>MINIFIX BODY</p>  <p>33X PCS</p>	<p>ACCESSORY NO : 001</p> <p>MINIFIX SCREW 6 MM</p>  <p>18 PCS</p>	<p>ACCESSORY NO : 041</p> <p>MINIFIX SHAFT (68mm)</p>  <p>4 PCS</p>	<p>ACCESSORY NO : 004</p> <p>Ø8x30 DOWEL</p>  <p>16 PCS</p>	<p>ACCESSORY NO : 617</p> <p>M109 BASE CONNECTION IRON</p>  <p>4 PCS</p>
<p>ACCESSORY NO : 124</p> <p>M6*40 ALLEN SCREW</p>  <p>6 PCS</p>	<p>ACCESSORY NO : 013</p> <p>Ø10 SILICON NUT</p>  <p>6 PCS</p>	<p>ACCESSORY NO : 095</p> <p>4*30 MM SCREW</p>  <p>12 PCS</p>	<p>ACCESSORY NO : 299</p> <p>M6*25 SCREW</p>  <p>4 PCS</p>	<p>ACCESSORY NO : 524</p> <p>NOOR COT LEGS</p>  <p>4 PCS</p>
<p>ACCESSORY NO : 131</p> <p>4mm ALLEN KEY</p>  <p>1 PC</p>	<p>ACCESSORY NO : 558</p> <p>Ø8x35 DOWEL</p>  <p>2 PCS</p>			

PARTS LIST



NO	PCS	DIMENSIONS						
01	2	747 X 720						
02	2	1184 X 695						
03	2	1168 X 70						
04	1	1284 X 665						
05	2	1296 X 50						
06	1	1187 X 395						
07	1	325 X 50						

WARNING

Safety guidelines and instructions must always be followed before making use of this product, please retain these instructions for future reference.

This product complies with product standard:

AS/NZS 2172:2013 Cots for household use - Safety Requirements

This cot has been designed for a child up to 25kg

RECOMMENDED MATTRESS SIZE: This cot has been manufactured for use with a mattress which measures 690mm wide by 1300mm long and 130mm in thickness.

The width and length are specific because it is important that the gaps between the mattress and the sides and ends of the cot will not exceed 40mm. This is to minimize the risk of a child's limb becoming caught in the gap. The thickness of the mattress has been specified to ensure that the depth of the cot is greater than 500mm with the mattress base in the lower position to minimise the risk of a child climbing or falling out of the cot.

WARNING TO PREVENT FALLS, THE MATTRESS BASE OF THIS COT SHOULD BE ADJUSTED TO THE LOWEST POSITION BEFORE THE CHILD CAN SIT UP.

The manufacturer's assembly instructions must be followed in detail to ensure all the safety features of the cot are not compromised.

Please ensure that the cot is placed at a reasonable distance from curtains, blinds, heaters and power points.

Please keep medication, string, elastic, small toys or small items, such as money out of reach from any position in the cot.

WARNING: TO PREVENT FALLS, THE MAXIMUM MATTRESS THICKNESS SHOULD NOT EXCEED 130mm.

The highest mattress base position is the safest position for newborns. You should use this position until the child is able to sit up unassisted. Then the lowest base position should be used.

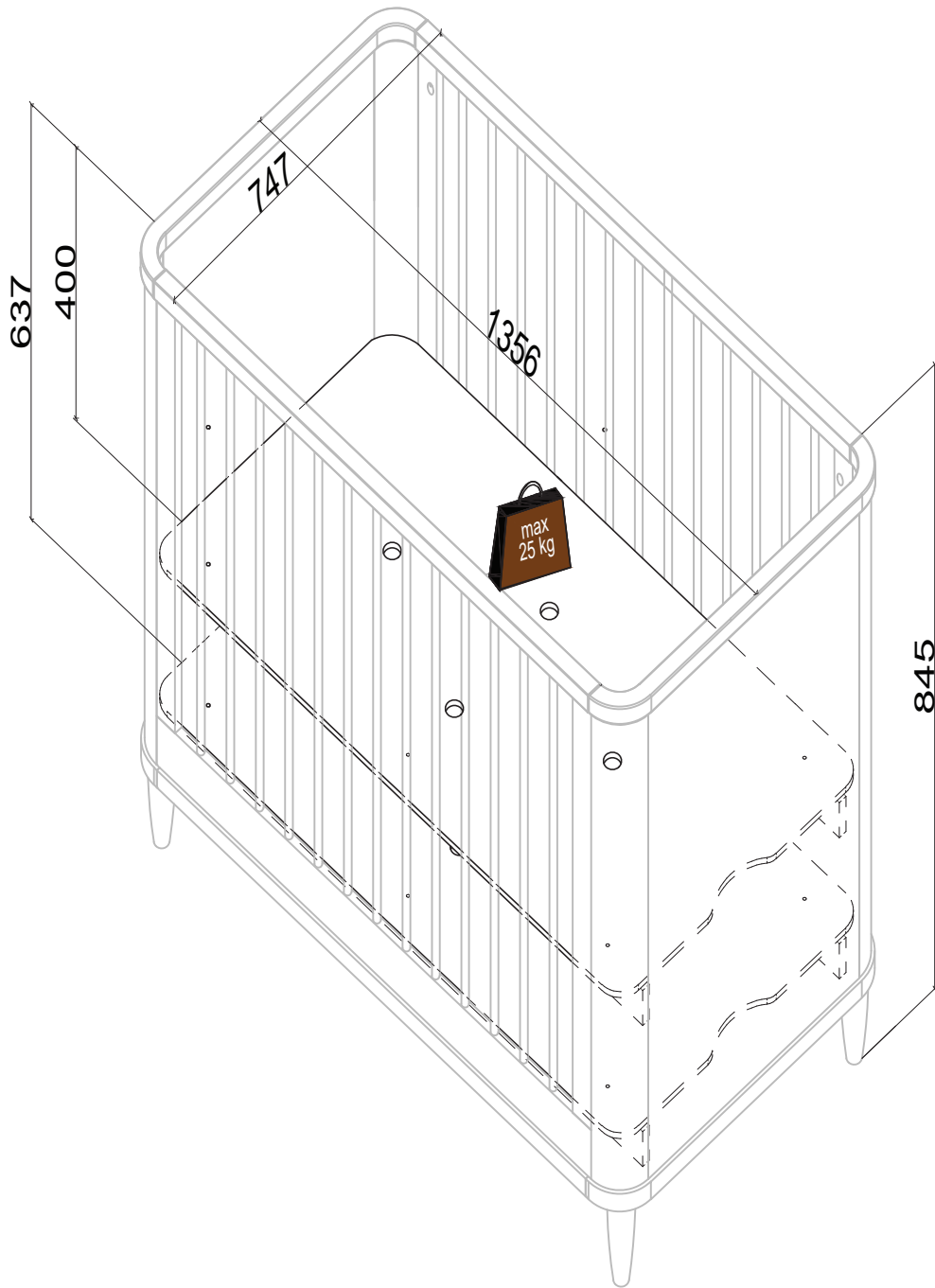
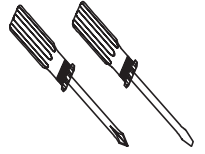
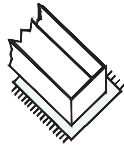
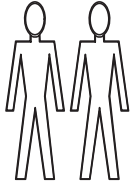
Use only spare parts approved by Love N Care.

Regularly check that nuts, bolts and fittings are tightened properly. Loose fittings should be retightened as necessary. Loose fittings can result in snagging clothes or cords posing a risk of strangulation.

This cot bed is intended for use for children from birth to approximately 4 years of age. Use the cot for children from 0 - 18 months; use the toddler bed from 18 months to 4 years.

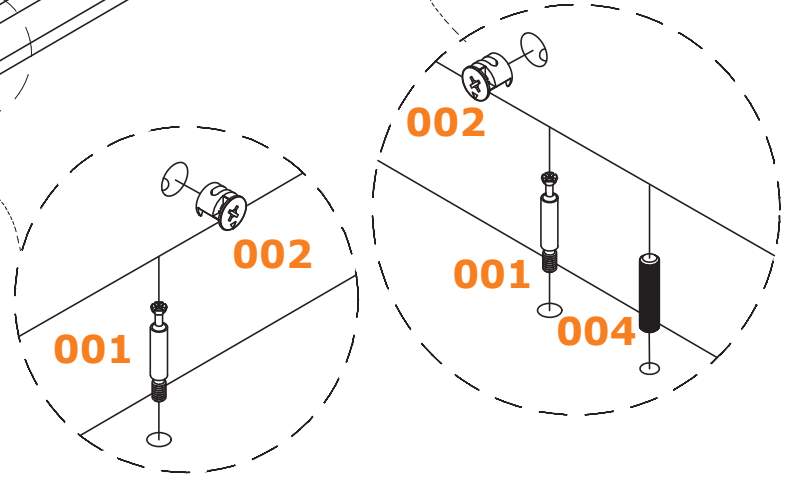
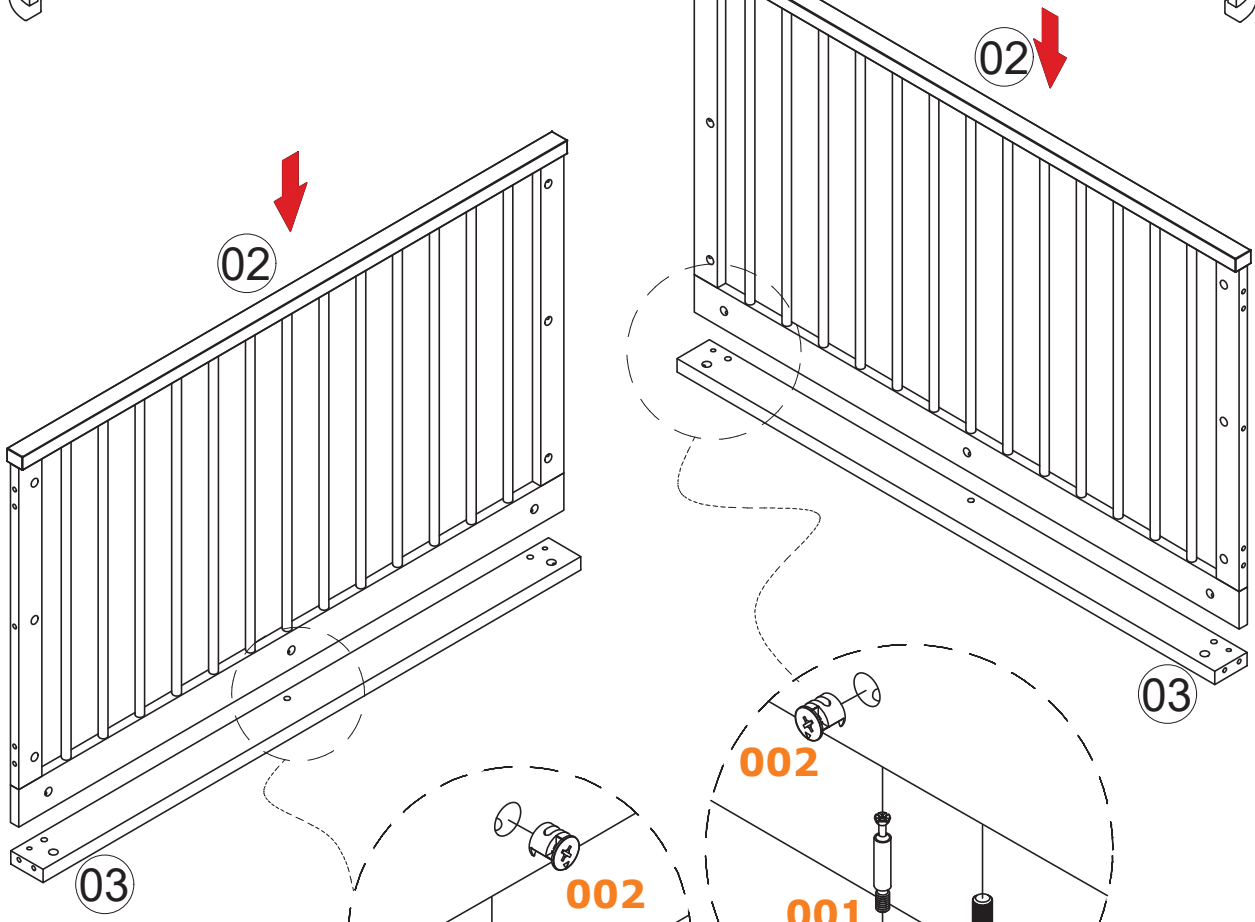
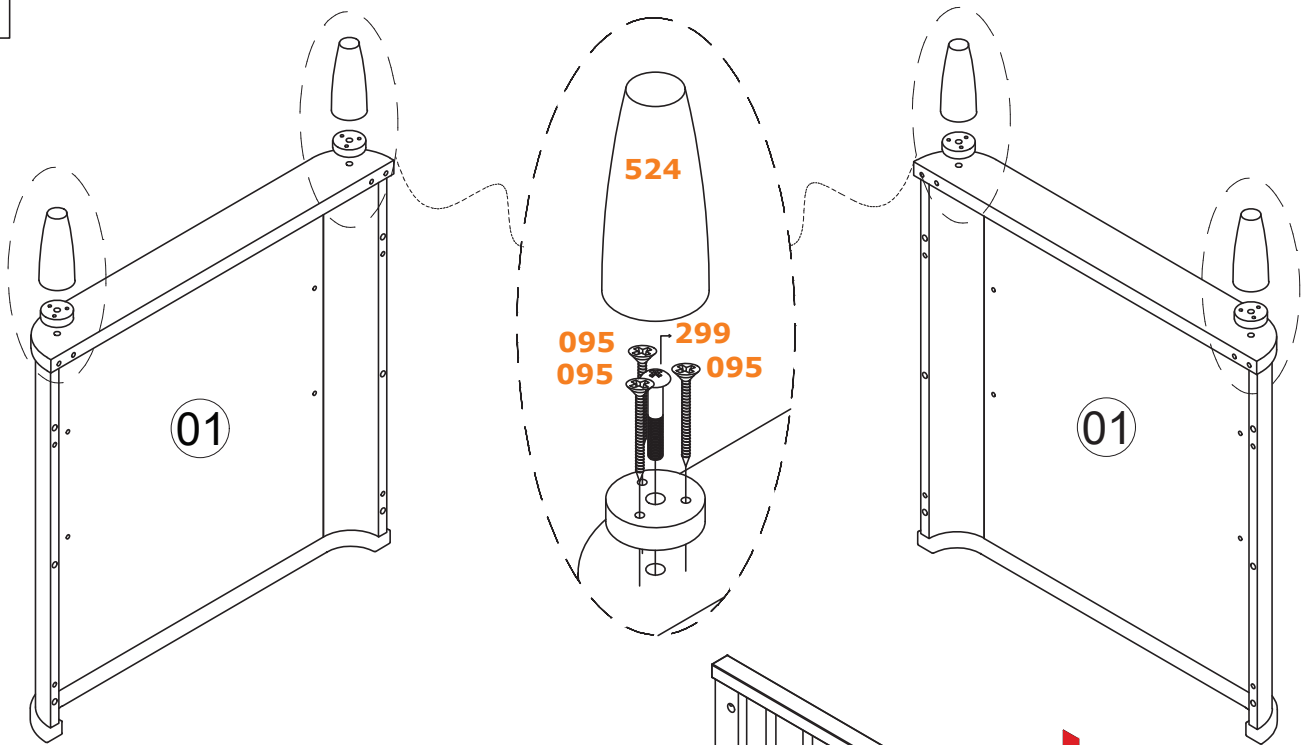
Children are likely to play, bounce, jump and climb on beds, therefore the child's bed should not be placed too close to other furniture or windows, and should be either tight to the wall or have a gap of 300mm between the wall and the side of the bed.

INSTALLATION STEPS - COT



INSTALLATION STEPS - COT

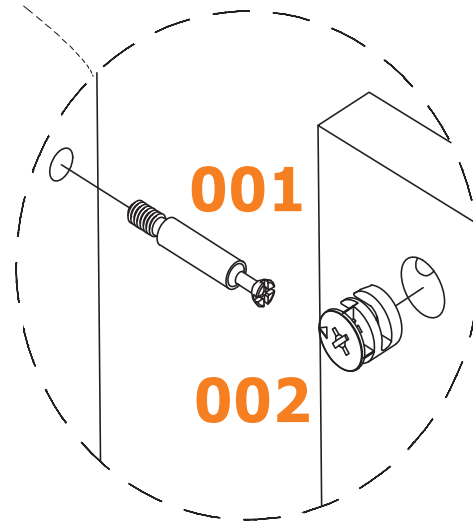
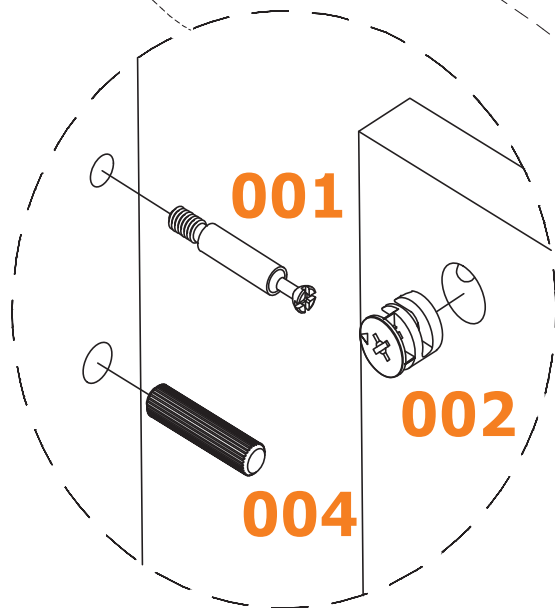
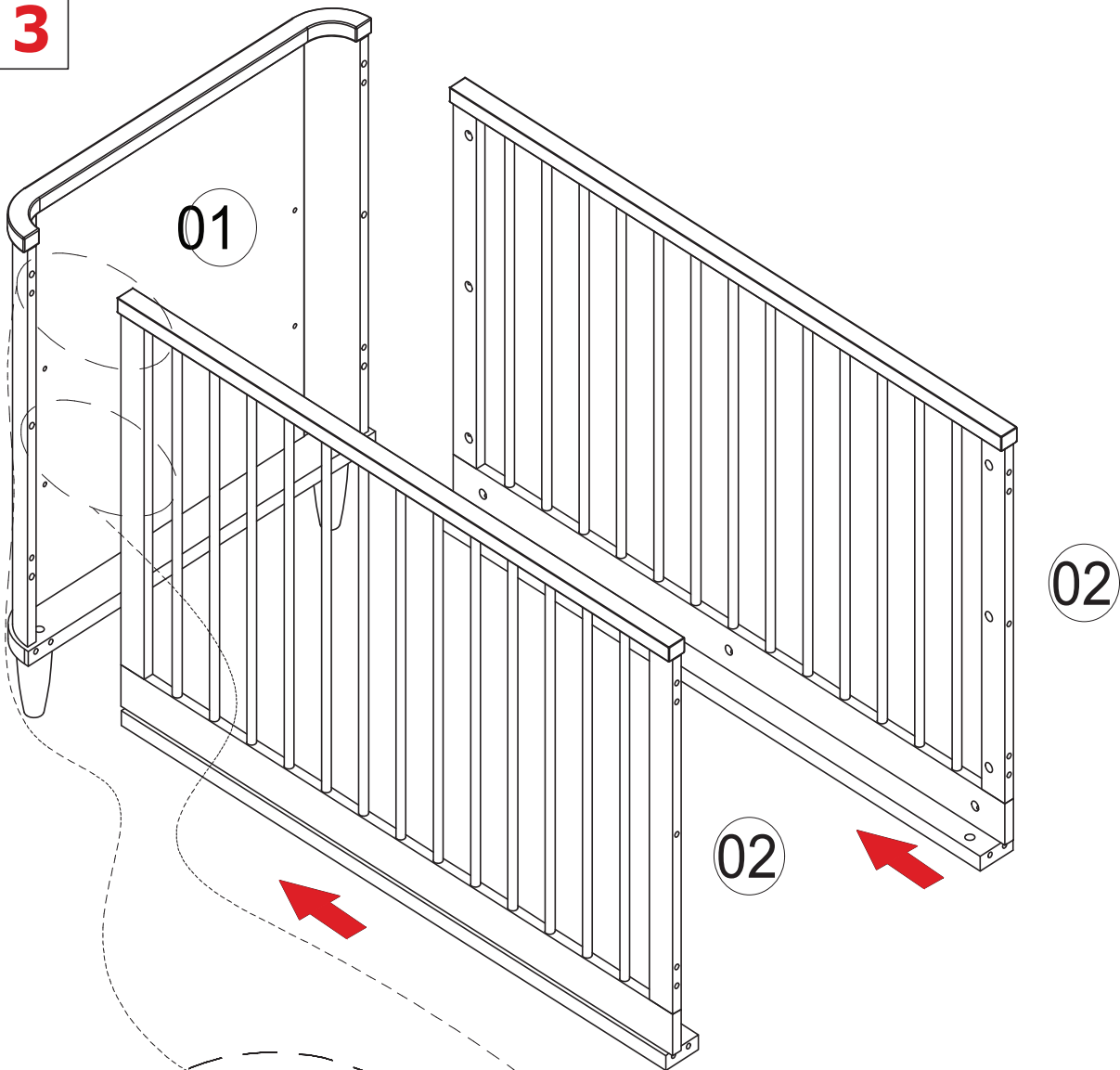
1



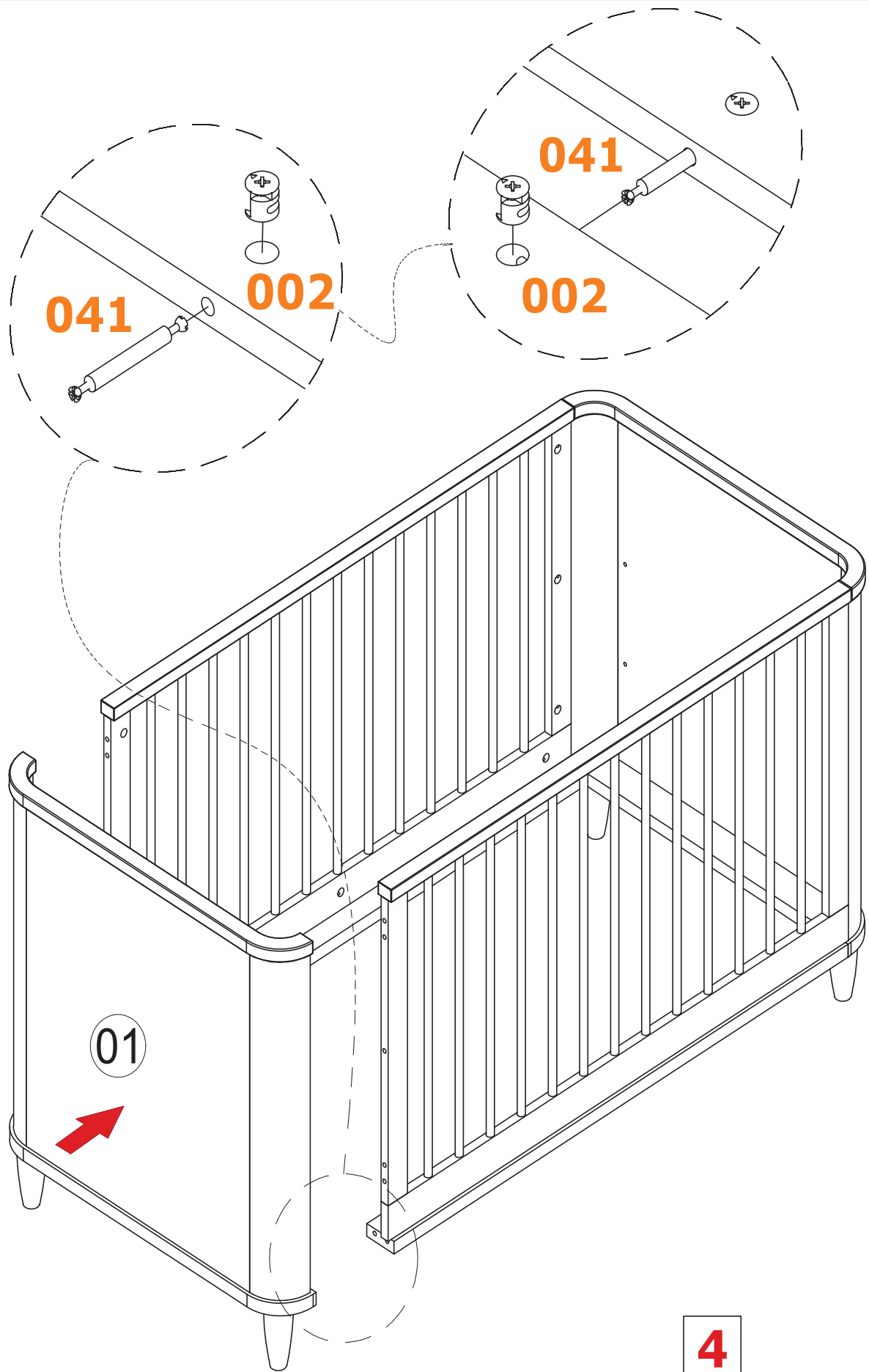
2

INSTALLATION STEPS - COT

3

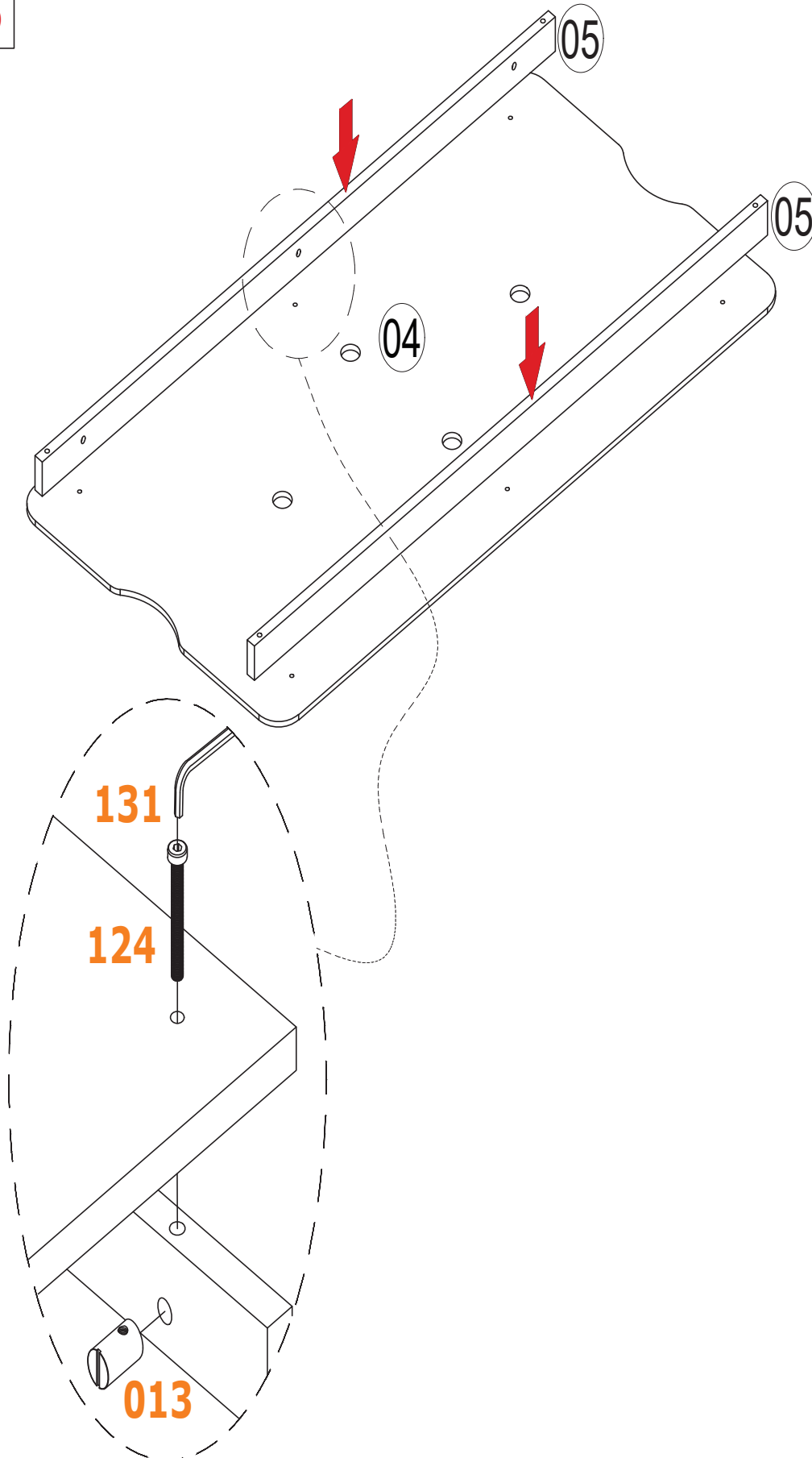


INSTALLATION STEPS - COT

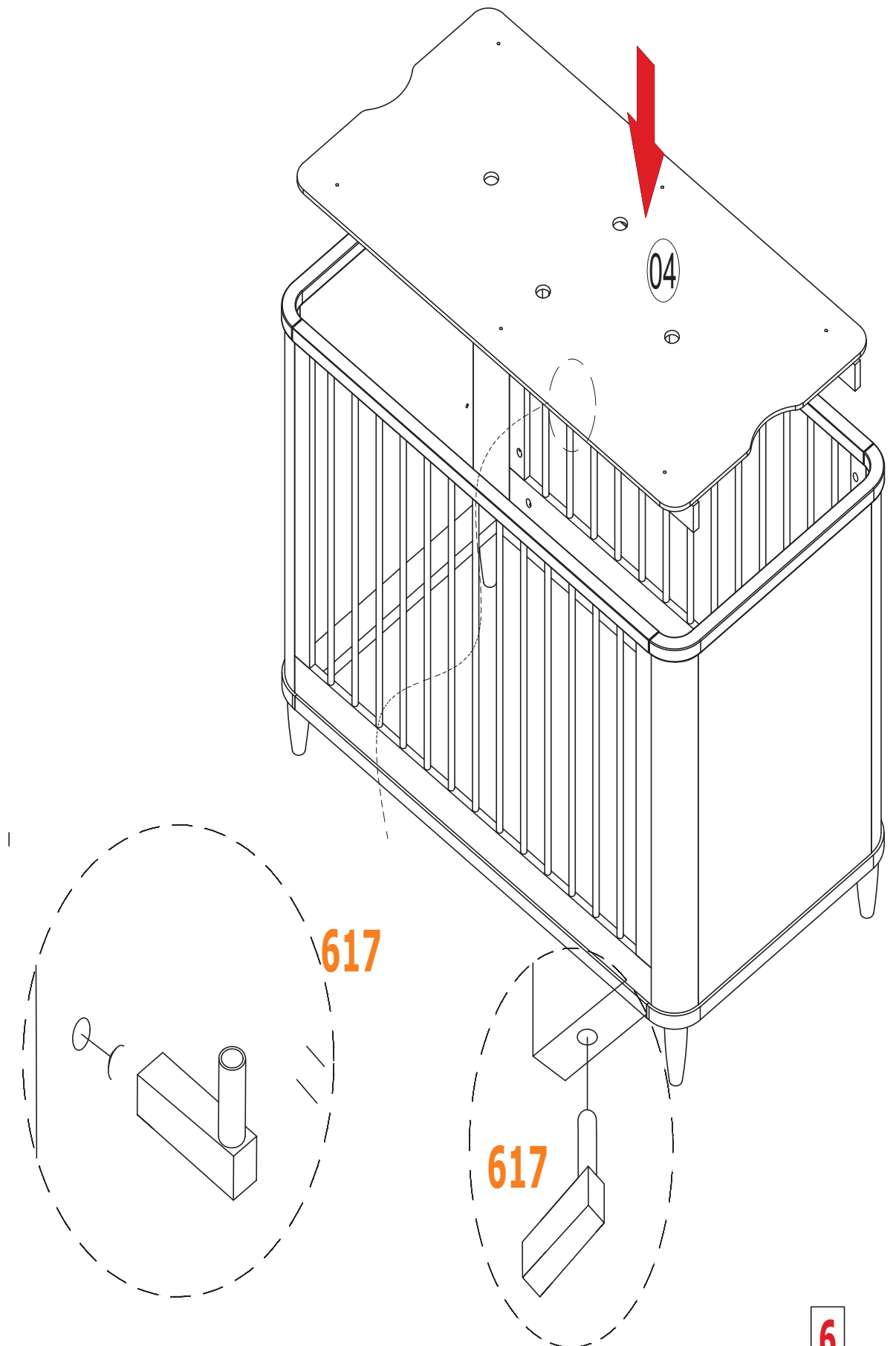


INSTALLATION STEPS - COT

5



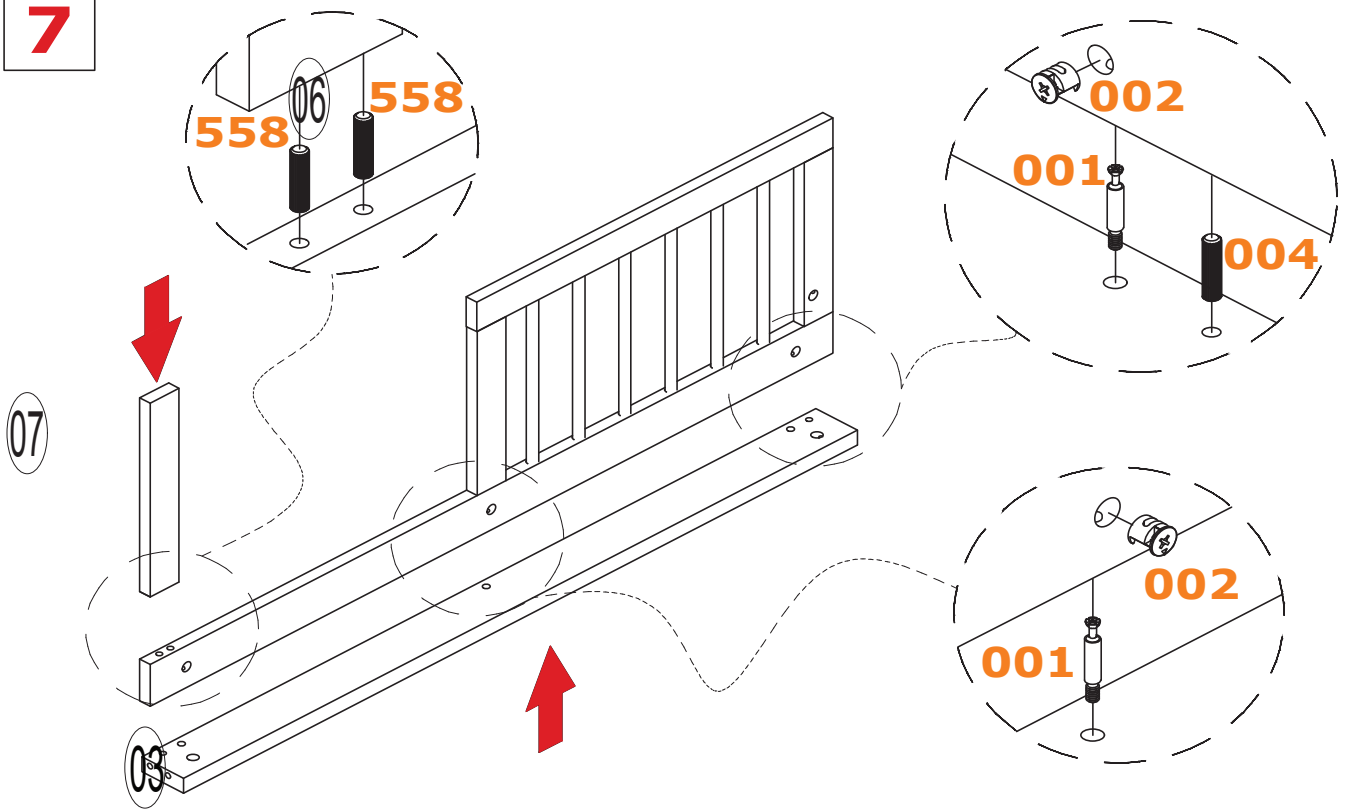
INSTALLATION STEPS - COT



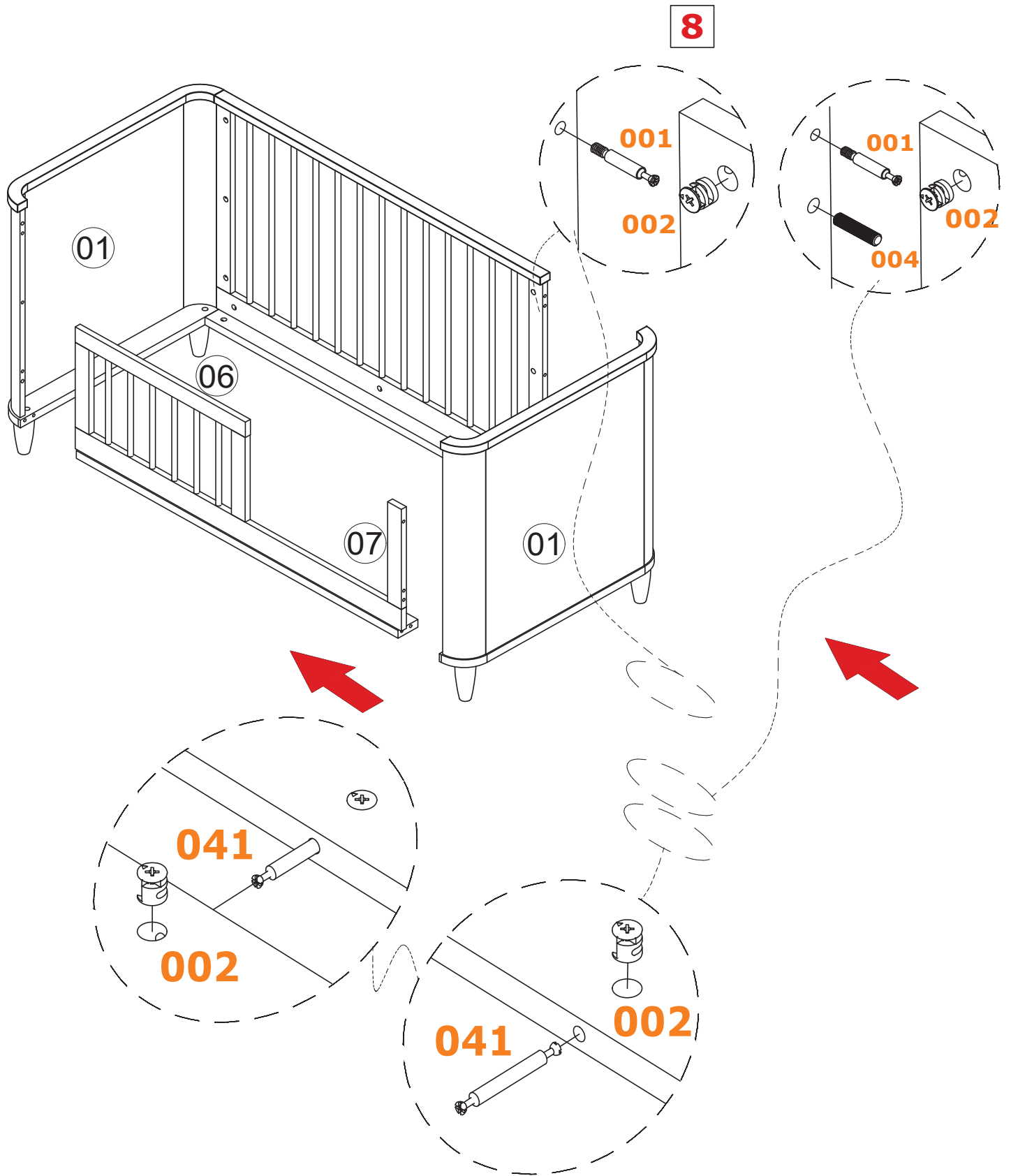
6

INSTALLATION STEPS - JUNIOR BED

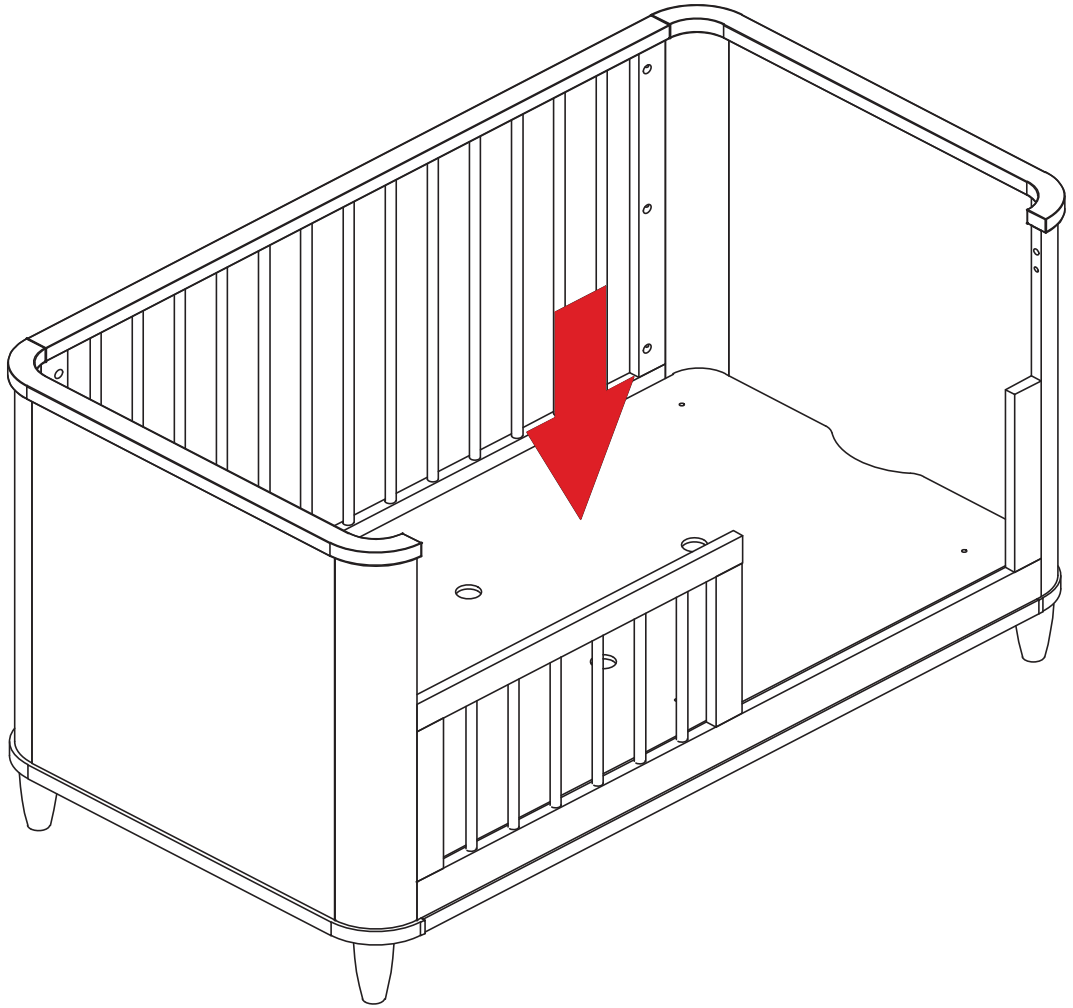
7



INSTALLATION STEPS - JUNIOR BED



INSTALLATION STEPS - JUNIOR BED



9

Care and Maintenance

Congratulations and thank you for choosing a Love N Care product.

The furniture you have purchased is constructed from high quality materials for strength and durability. Here are some tips on how you can preserve its beauty for a long time.

1. Do not expose furniture to strong sunlight, direct heat sources, extreme changes in temperature or moisture.
2. Wipe up spills immediately with a soft, clean cloth.
3. Urine spills on furniture can cause discolouration.
4. Clean furniture by wiping the surface with a soft cloth dampened with water.
5. If necessary clean furniture using a mild soap solution and wipe clean with a soft cloth dampened with water and then dry with soft clean cloth.
6. Do not use strong household cleaners.
7. Always wipe in the direction of the grain in the wood do not wipe in a circular motion.
8. Avoid contact with sharp objects, or containers containing hot liquid.
9. Avoid contact with 'rubber feet' on items such as radios, computers, telephones etc. Use a felt mat (not plastic) to protect furniture surfaces.
10. Do not open more than one drawer at a time.
11. When moving furniture do not drag always lift and place in position.

Warranty Against Defects

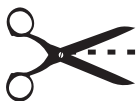
ALL LOVE N CARE PRODUCTS ARE GUARANTEED FOR TWELVE MONTHS FROM THE DATE OF PURCHASE.

OUR GOODS COME WITH GUARANTEES THAT CANNOT BE EXCLUDED UNDER THE AUSTRALIAN CONSUMER LAW. YOU ARE ENTITLED TO A REPLACEMENT OR REFUND FOR A MAJOR FAILURE AND FOR COMPENSATION FOR ANY OTHER REASONABLY FORSEEABLE LOSS OR DAMAGE. YOU ARE ALSO ENTITLED TO HAVE THE GOODS REPAIRED OR REPLACED IF THE GOODS FAIL TO BE OF ACCEPTABLE QUALITY AND THE FAILURE DOES NOT AMOUNT TO A MAJOR FAILURE.

THIS COVERS AGAINST FAULTS WHICH DEVELOP THROUGH FAULTY MATERIALS AND WORKMANSHIP. MISUSE, ACCIDENTAL DAMAGES, NORMAL WEAR AND TEAR OR NEGLIGENCE ARE NOT COVERED.

IF A FAULT BECOMES APPARENT, PLEASE RETURN THE ITEM TO THE STORE OF PURCHASE WITH YOUR RECEIPT. YOU MUST INFORM THE STORE WHAT THE DEFECT IS. WE WILL THEN ARRANGE FOR ITS REPAIR OR IT WILL BE ASSESSED FOR REPLACEMENT AS EXPEDIENTLY AS POSSIBLE. THE BENEFITS OF THIS WARRANTY ARE IN ADDITION TO OTHER RIGHTS AND REMEDIES UNDER THE LAW IN RELATION TO THE GOODS AND SERVICES TO WHICH THIS WARRANTY RELATES.

IF YOU ARE UNABLE TO RETURN THE ITEM TO THE STORE OF PURCHASE, YOU CAN CONTACT LOVE N CARE ON FREECALL 1300732599. WE WILL THEN ORGANISE FOR EITHER SOMEBODY TO INSPECT THE ITEM OR ARRANGE FOR A COURIER TO PICK IT UP AND RETURN IT BACK TO YOU.



CAP 100 NOOR COT

12 MONTH WARRANTY

Please fill in this section to validate your warranty and send to: **297 Canterbury Rd Revesby NSW 2212**

Name: _____ Store Purchased: _____

Address: _____ Date Purchased: _____

Product Name/No. _____

Contact Us

Head Office:

Love N Care Pty Ltd.
297-299 Canterbury Rd, Revesby

NSW 2212 Australia

Contact No: 02 9774 4655

Fax: 02 9774 4633

Email: info@lovcare.com.au

Website: www.lovcare.com.au

lovencare
lovcare.com.au

Let's be friends!

 <http://www.facebook.com/lovcare1>

 100% AUSTRALIAN OWNED SINCE 1984