

AU-LANCASTER

Chest Instructions

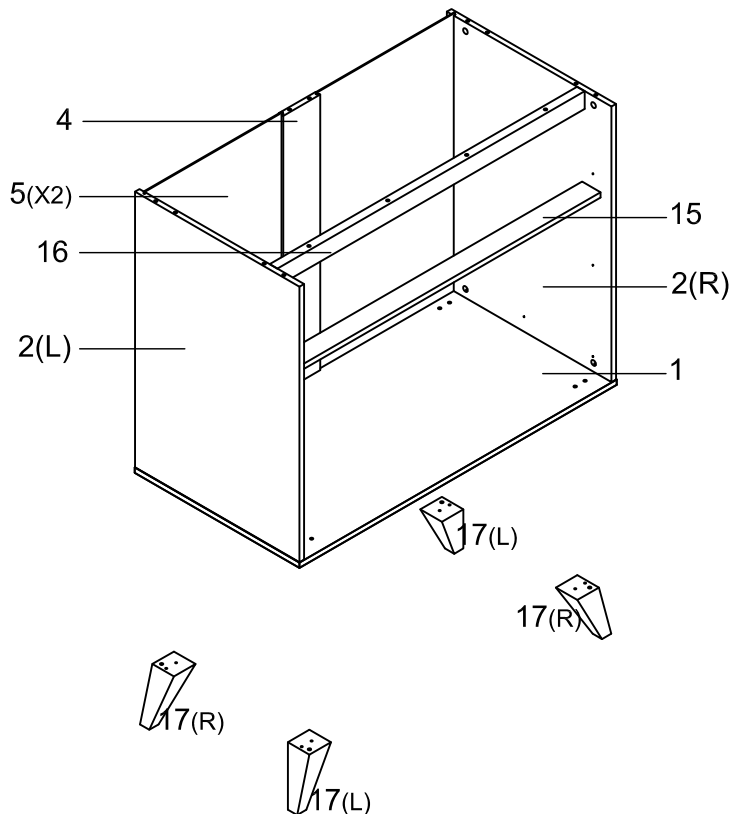
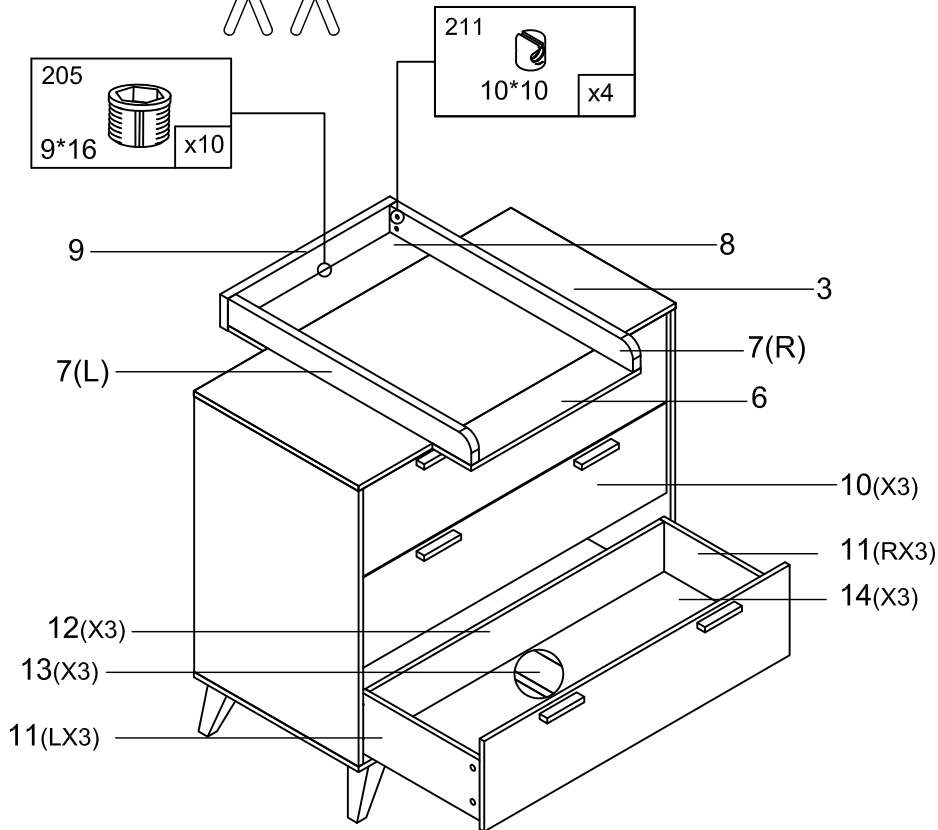
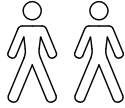
AU-LAN2120: 1,3,4,10,12,14,15,16

AU-LAN2220: 2,5,6,7,8,9,11,13

AU-LAN2320: 17,18,19

IMPORTANT: RETAIN FOR FUTURE REFERENCE.
READ CAREFULLY

60 min.

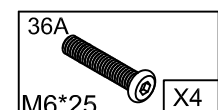
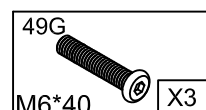
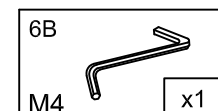
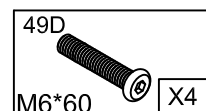
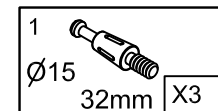
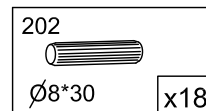
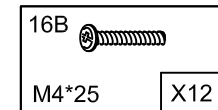
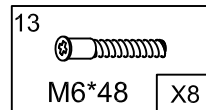
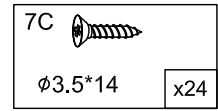
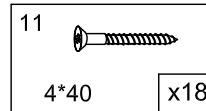
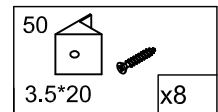
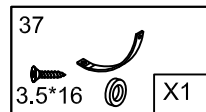
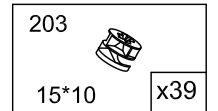
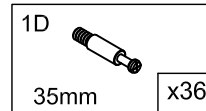


CH B210F: AUS

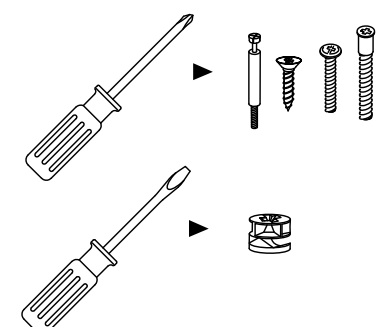
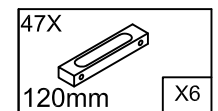
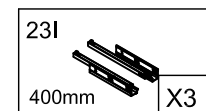
loven^hcare

www.loven^hcare.com.au

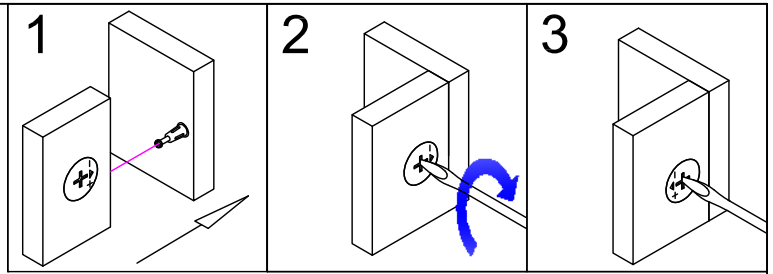
18



19

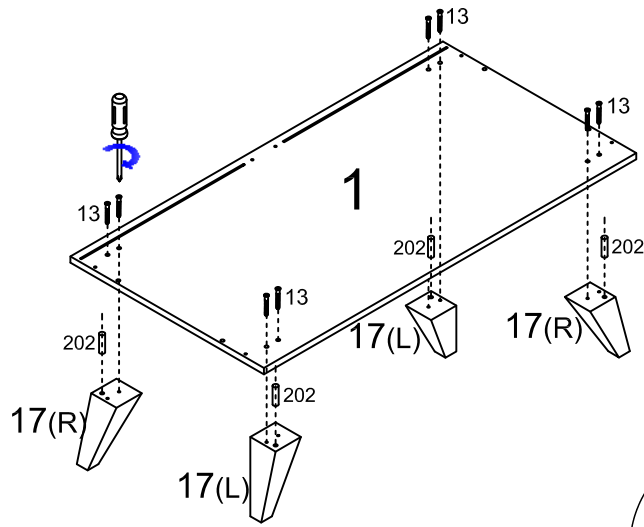


202 Ø8*30 X12	13 M7*48 X8
1D 35mm X6	203 15*10 x6



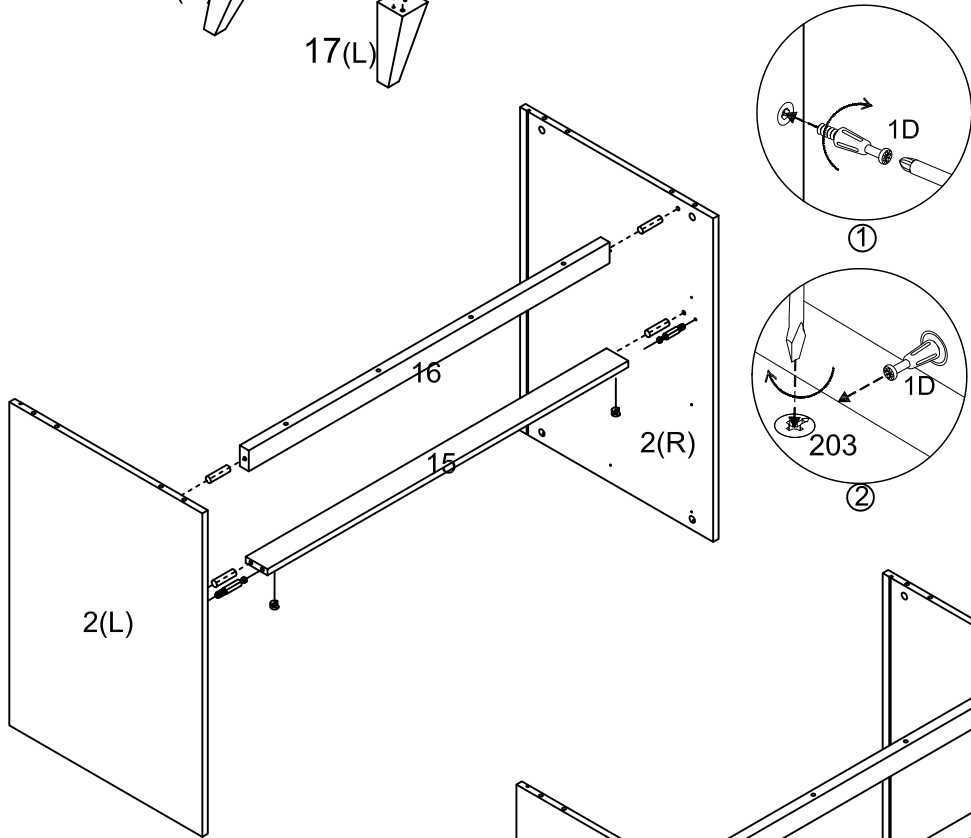
- 17(LX2)
- 17(RX2)
- 1

STEP 1

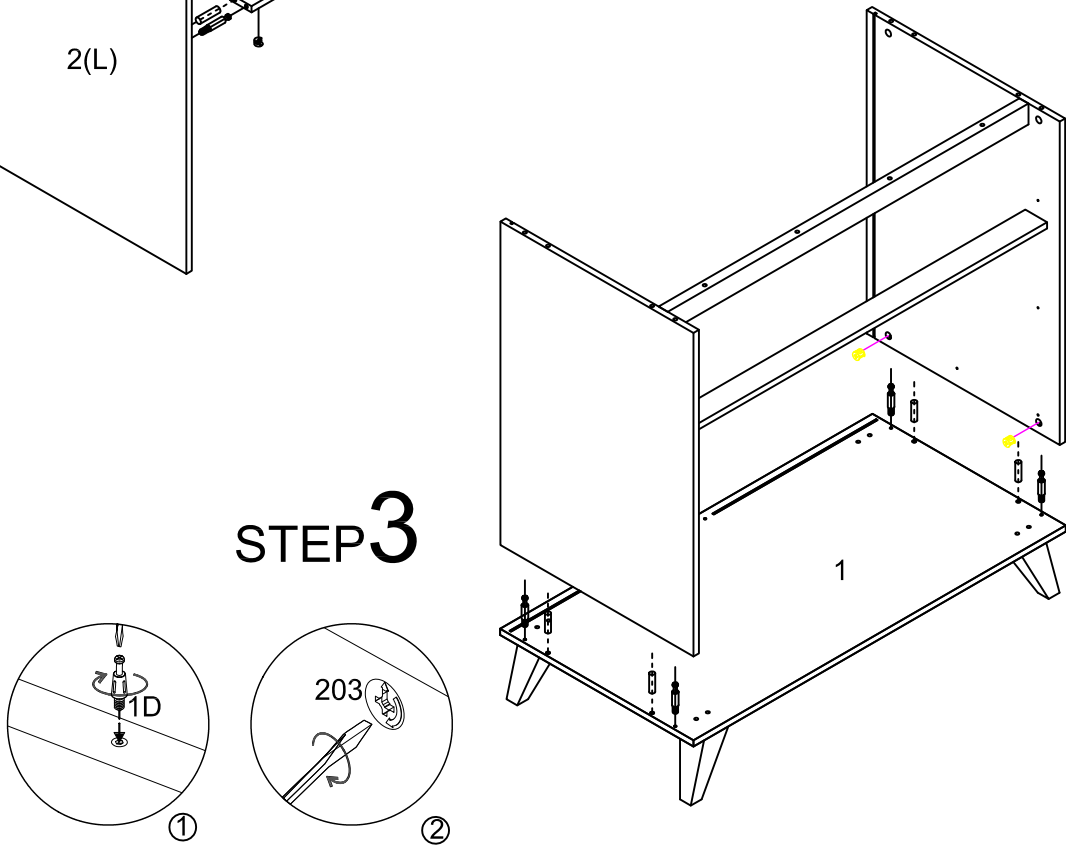


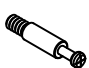

- 15
- 16
- 2(L)
- 2(R)

STEP 2

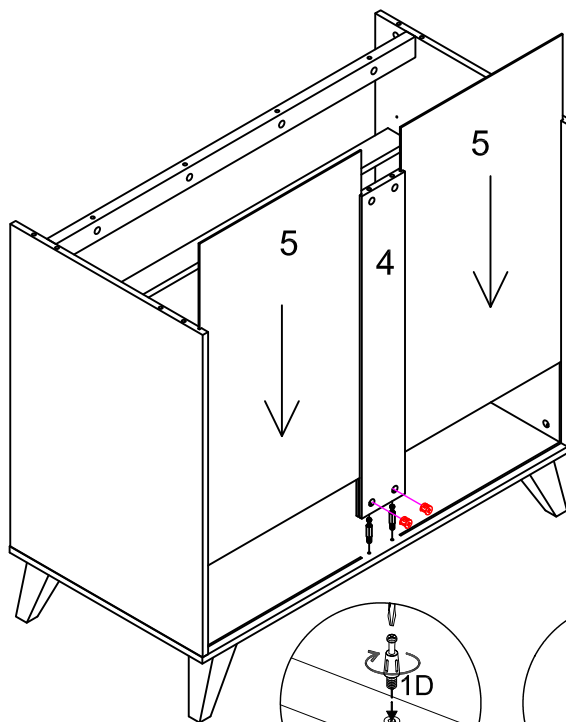


STEP 3

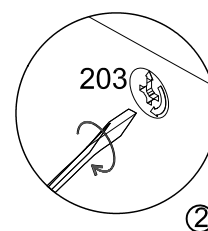
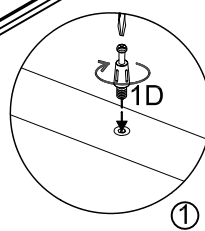


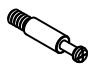


1D		203	
35mm	X2	15*10	x2

4
5(x2)

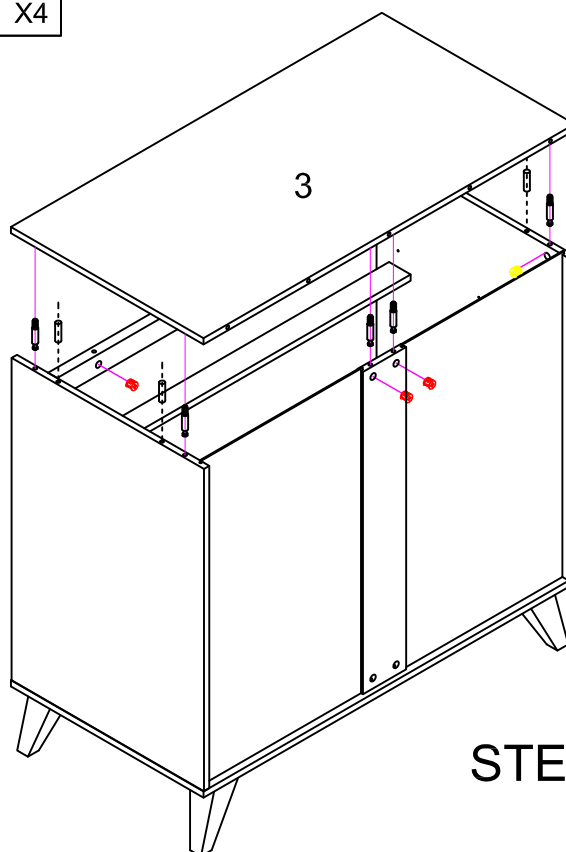
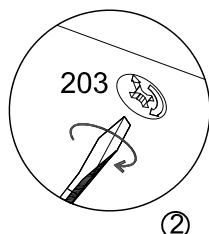
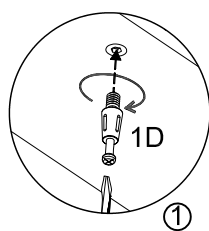


STEP 4


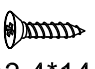


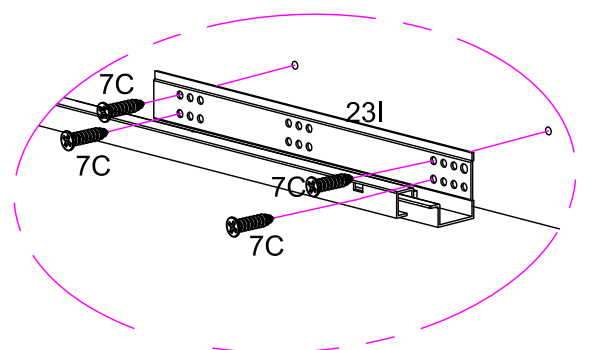
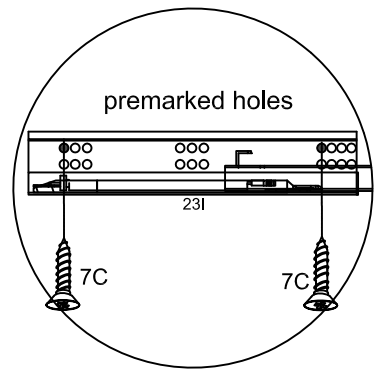
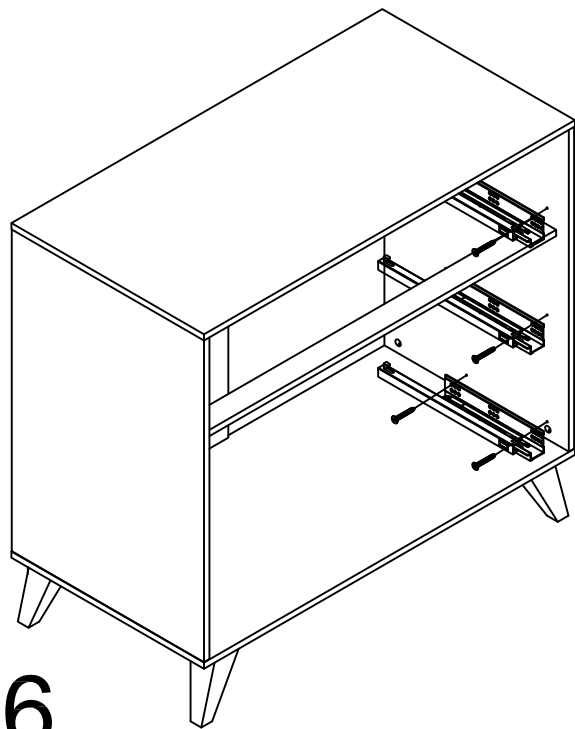
1D		203		202	
35mm	X10	15*10	x10	Ø8*30	X4

3




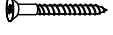



STEP 5

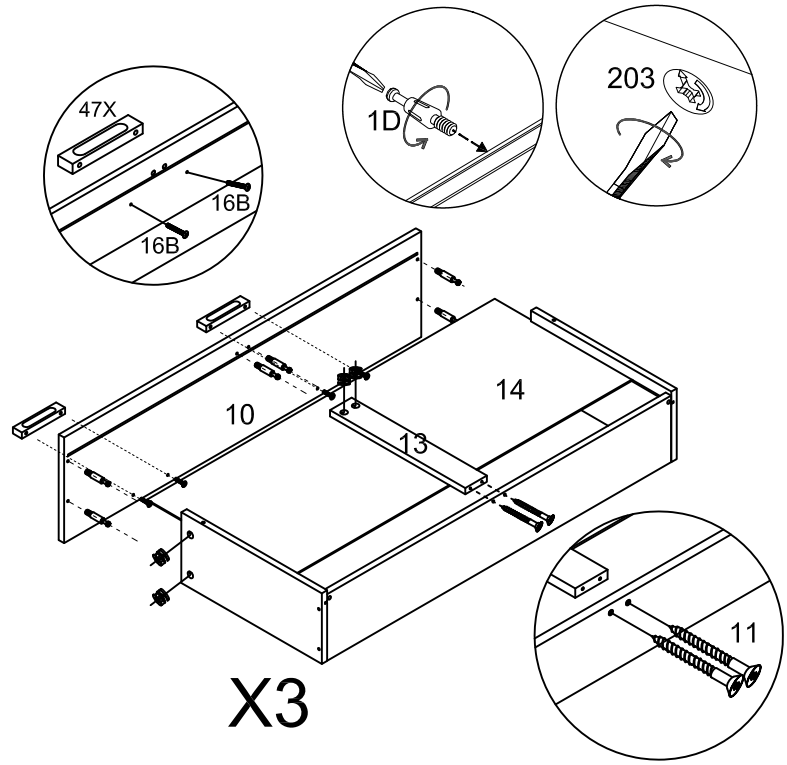
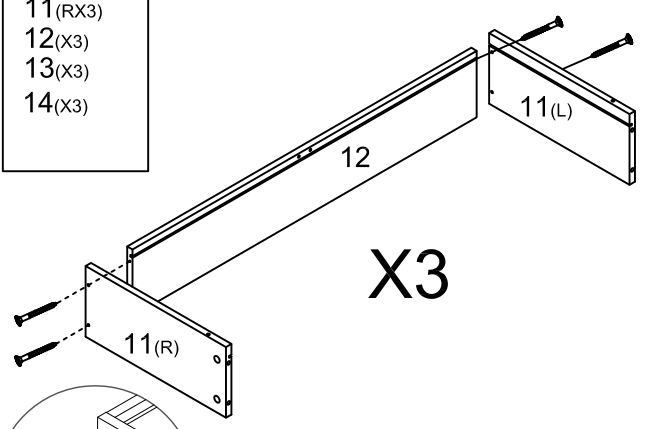
23I  400mm	X3	7C  ø3,4*14	X24
---	----	--	-----



STEP 6

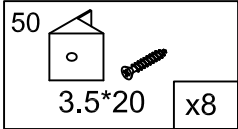
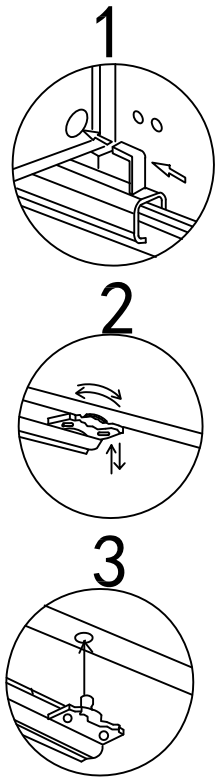
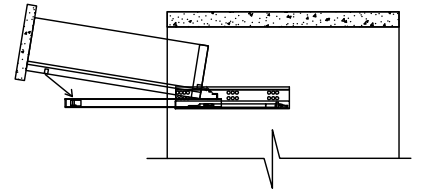
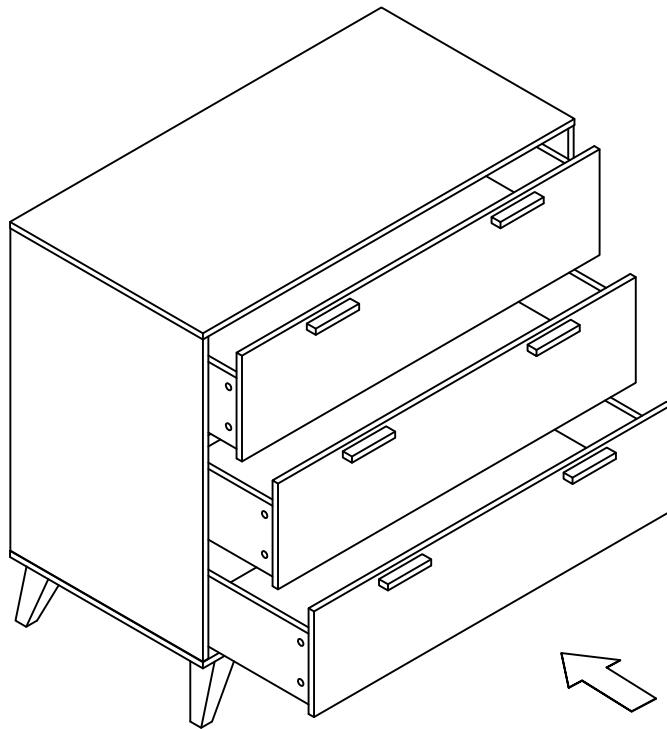
16B  M4*25	X12	1D  35mm	X18	203  15*10	X18	11  4*40	X18	47X  120mm	X6
---	-----	---	-----	---	-----	---	-----	---	----

- 10(X3)
- 11(LX3)
- 11(RX3)
- 12(X3)
- 13(X3)
- 14(X3)

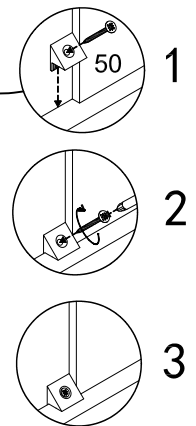
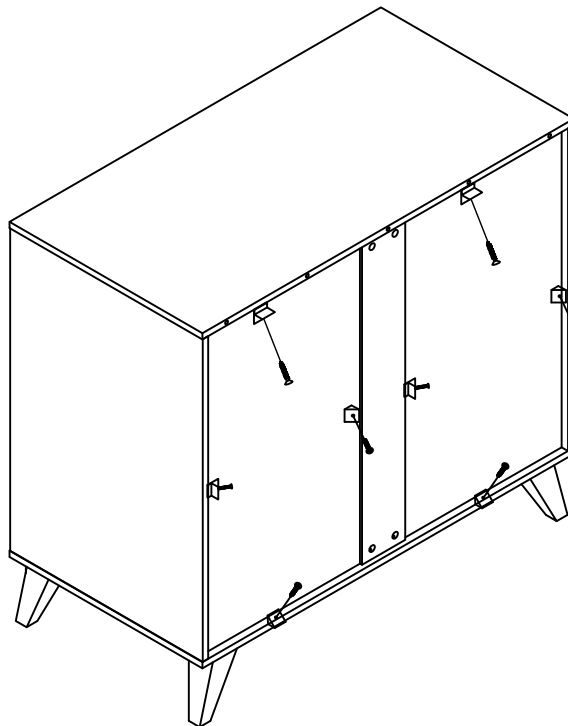





STEP 7

STEP 8

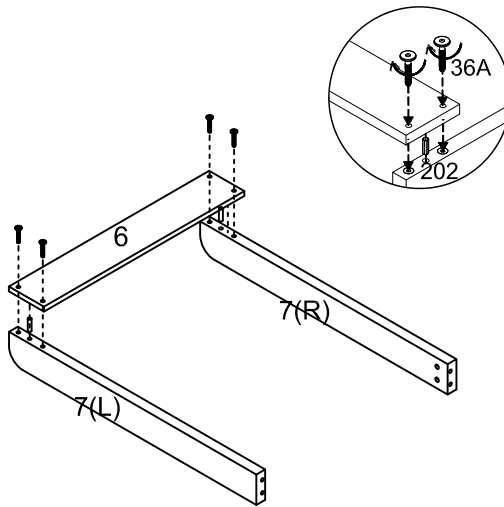


STEP 9

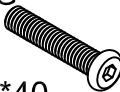
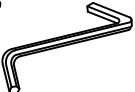


6B 	36A  M6*25	202  Ø8*30
X1	X4	X2

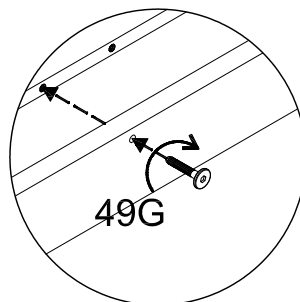
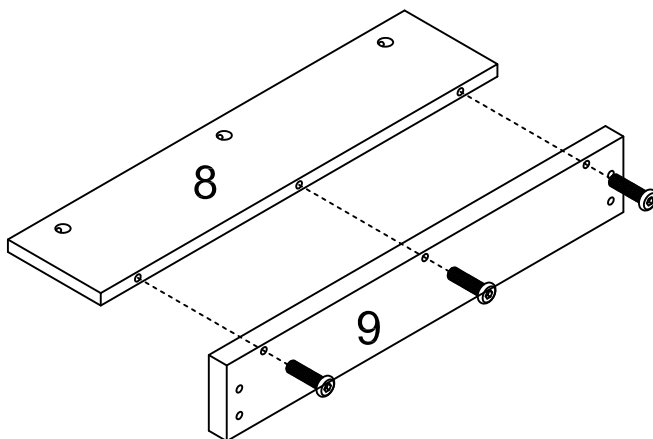
6
7(R)
7(L)





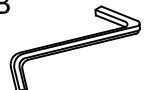
STEP 10

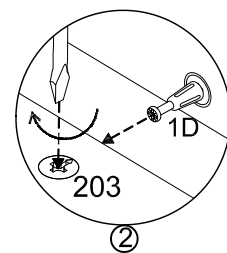
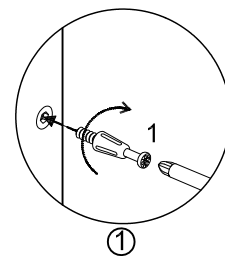
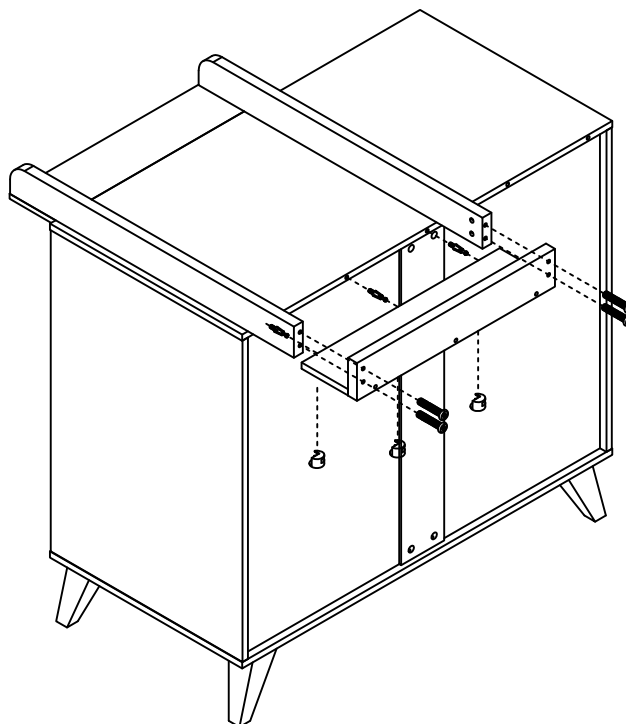
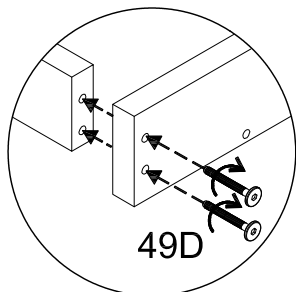
49G  M6*40	6B 
X3	x1


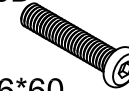

8
9

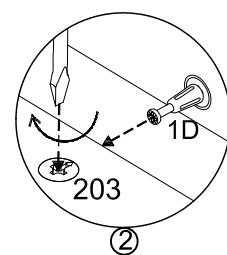
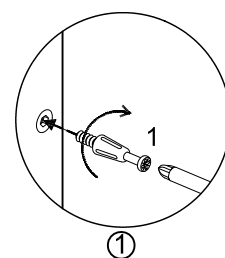
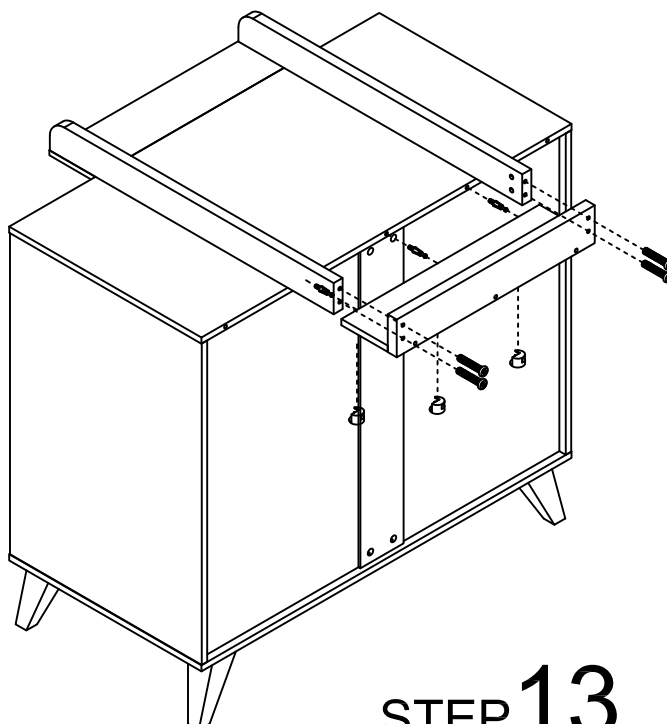
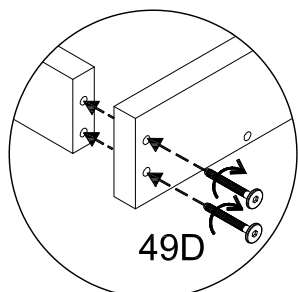


STEP 11

1 Ø15 32mm X3	203  15*10 X3	49D  M6*60 X4	6B  x1
------------------------	--	--	---



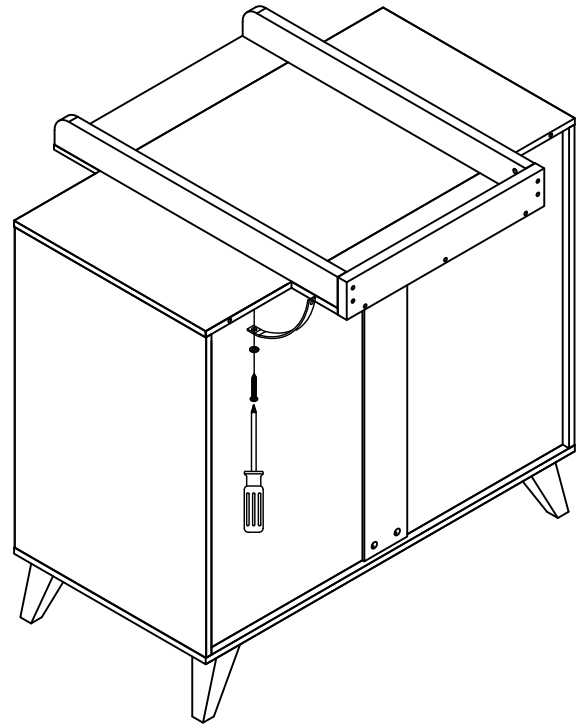
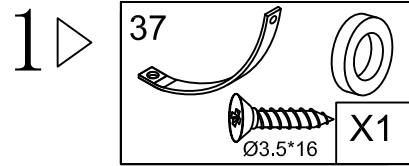
1 Ø15 32mm X3	203  15*10 X3	49D  M6*60 X4	6B  x1
------------------------	---	---	--



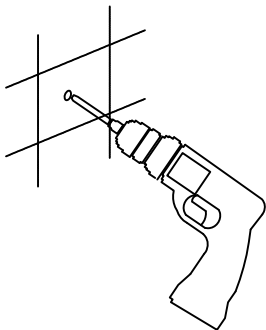
STEP 13

Safety belts

The stability and strength of this product have been tested extensively. In spite of taking good care of your child's behaviour; the child should not be climbing into or hanging on the product. This could be dangerous, especially when the drawers and doors are open. To guarantee the safety of your child as much as possible you must fit the included safety belts according to the assembling instructions; ensuring that the fastenings used are appropriate to the wall type.

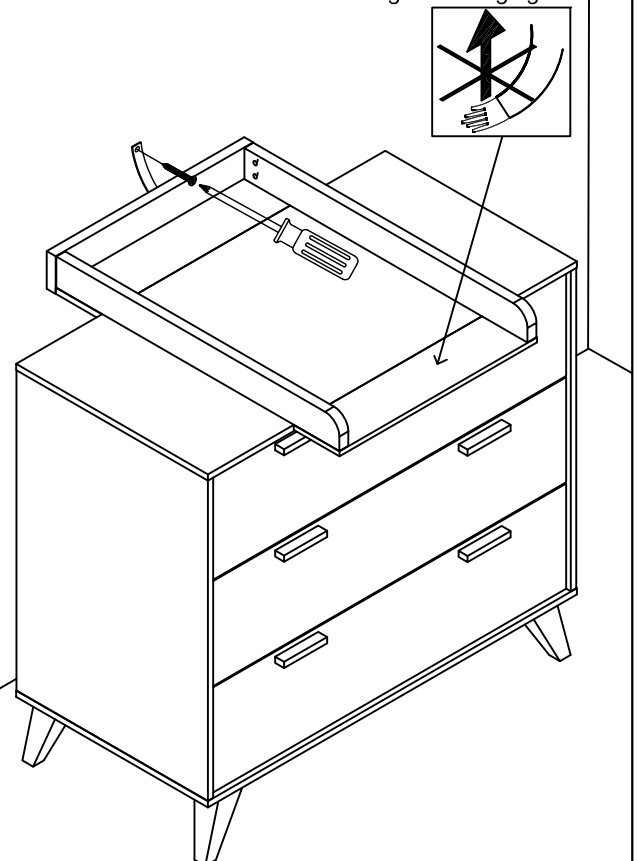


2 ▷



3 ▷

Attention! Do not lift the dresser holding the changing unit.



INSTRUCTIONS FOR SAFE USE AND MAINTENANCE

1. **WARNING: NEVER LEAVE YOUR CHILD UNATTENDED. THE SAFETY OF YOUR CHILD IS YOUR RESPONSIBILITY.**
2. Do not allow children to climb on the dresser.
3. Never leave your child unattended on the dresser.
4. Never use the dresser if it is broken or damaged or there are parts missing.
5. Do not place the dresser in or near the vicinity of open fires or other sources of strong heat, such as gas or electric fires.
6. Always leave the dresser clean and dry. Wipe away any spillage straight away. The dresser can be cleaned with a clean damp cloth. Do not use aggressive cleaning agents such as bleach or strong detergents.
7. Check on a regular basis that all fittings and screws are correctly tightened and are not damaged. Loose screws can pinch parts of the body and clothing resulting in the risk of strangulation.
8. Only use a changing pad which perfectly fits between the borders of the changing unit. Never use a changing pad which is too big. Recommended size 78x49x11.5cm.
9. Maximum weight of the child 11 kg or maximum age to 12 months.
10. Use only spare parts approved by Love N Care.

Product development dictates that components may occasionally differ from the ones shown in the diagrams of these instructions. The right to change the specifications and design of the furniture without prior notice remains with the manufacturer.

LOVE N CARE WARRANTY AGAINST DEFECTS

All Love N Care products are guaranteed for twelve months from the date of purchase. Our goods come with guarantees that cannot be excluded under the Australian Consumer Law. You are entitled to a replacement or refund for a major failure and for compensation for any other reasonably foreseeable loss or damage. you are also entitled to have the goods repaired or replaced if the goods fail to be of acceptable quality and the failure does not amount to a major failure. This covers against faults which develop through faulty materials and workmanship.

Misuse, accidental damages, normal wear and tear or neglect are not covered.

If a fault becomes apparent, please return the item to the store of purchase with your receipt. You must inform the store what the defect is. We will then arrange for its repair or it will be assessed for replacement as expediently as possible. The benefits of this warranty are in addition to other right and remedies under the law in relation to the goods or services to which this warranty relates. If you are unable to return the item to the store of purchase, you can contact Love N Care on free call 1300 732 599.

Where you send the product directly to the manufacturer then you may be liable for the costs of transportation to and from Love N Care. Love N Care will meet the reasonable expenses incurred by a consumer in a making a warranty claim. You can claim expenses incurred in making a claim by contacting our customer service team on 1300 732 599 or by email at info@lovencare.com.au

loveⁿcare™

www.lovencare.com.au