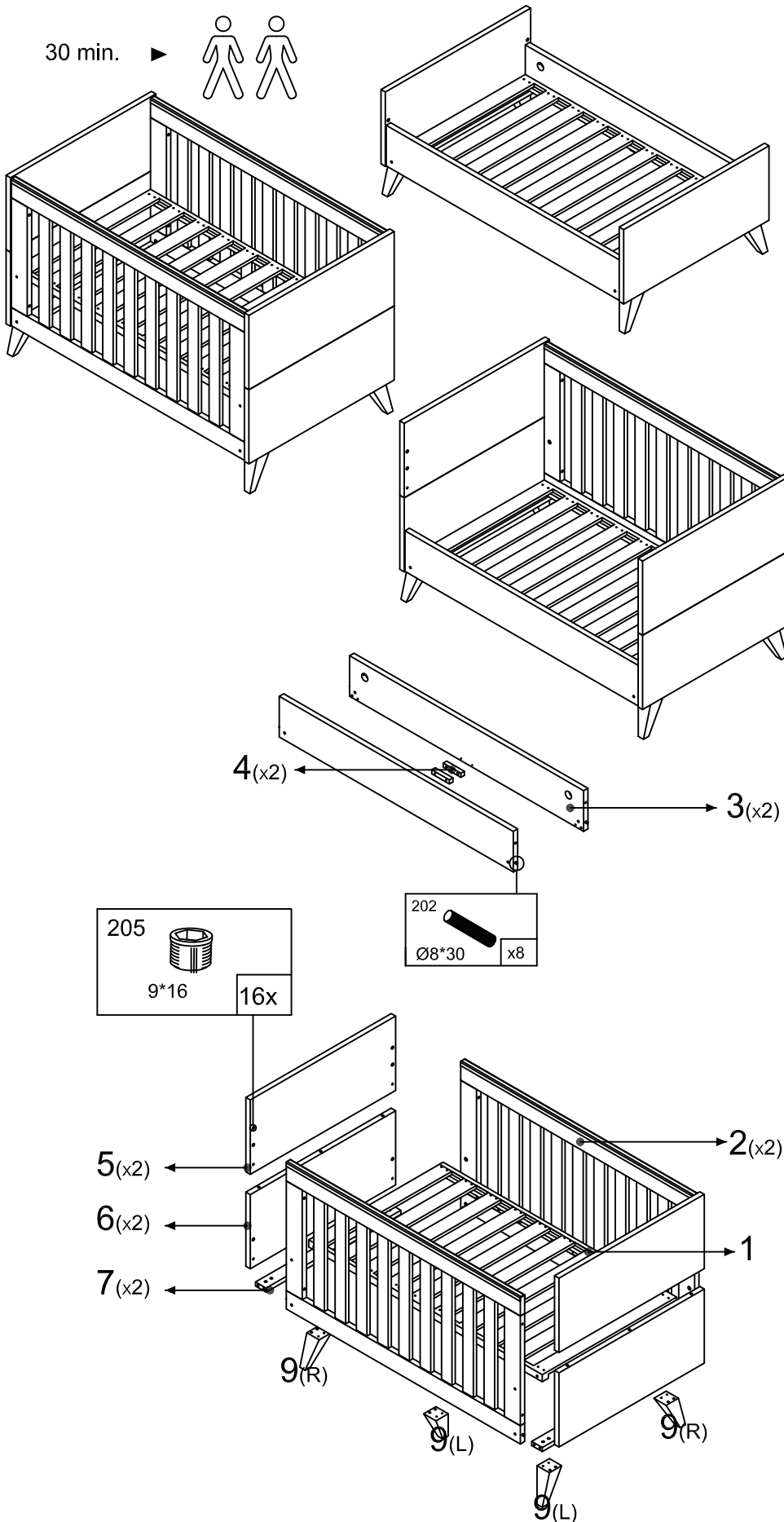
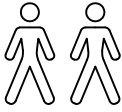


AU-LANCASTER Cot Instructions

IMPORTANT. RETAIN FOR FUTURE REFERENCE.
READ CAREFULLY

30 min. ▶



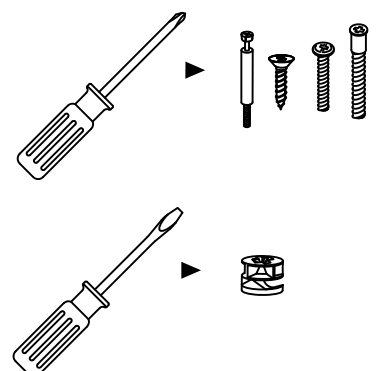
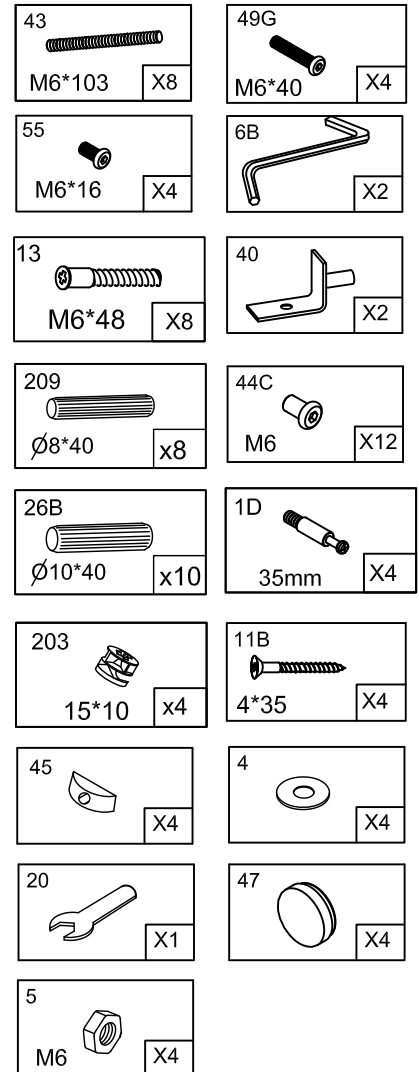
AU-LAN1520: 5,6,7,8,9
AU-LAN1620: 1,2
AU-LAN1720: 3,4

lovenhcare™

www.lovenhcare.com.au

CH B200F: AUS

8



WARNING

Safety guidelines and instructions must always be followed before making use of this product, please retain these instructions for future reference.

This product complies with product standard:

AS/NZS 2172:2013 Cots for household use - Safety Requirements & Trade Practices Act 1974-Consumer Protection Notice No.6 of 2005.

This cot has been designed for a child up to 25kg.

RECOMMENDED MATTRESS SIZE: This cot has been manufactured for use with a mattress which measures 760mm wide by 1310mm long and 130mm in thickness.

The width and length are specific because it is important that the gaps between the mattress and the sides and ends of the cot will not exceed 40mm. This is to minimize the risk of a child's limb becoming caught in the gap. The thickness of the mattress has been specified to ensure that the depth of the cot is greater than 500mm with the mattress base in the lower position to minimise the risk of a child climbing or falling out of the cot.

WARNING TO PREVENT FALLS, THE MATTRESS BASE OF THIS COT SHOULD BE ADJUSTED TO THE LOWEST POSITION BEFORE THE CHILD CAN SIT UP.

The manufacturer's assembly instructions must be followed in detail to ensure all the safety features of the cot are not compromised.

Please ensure that the cot is placed at a reasonable distance from curtains, blinds, heaters and power points.

Please keep medication, string, elastic, small toys or small items, such as money out of reach from any position in the cot.

WARNING: TO PREVENT FALLS, THE MAXIMUM MATTRESS THICKNESS SHOULD NOT EXCEED 130mm.



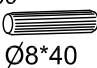
The highest mattress base position is the safest position for newborns. You should use this position until the child is able to sit up unassisted. Then the lowest base position should be used.

Use only spare parts approved by Love N Care.

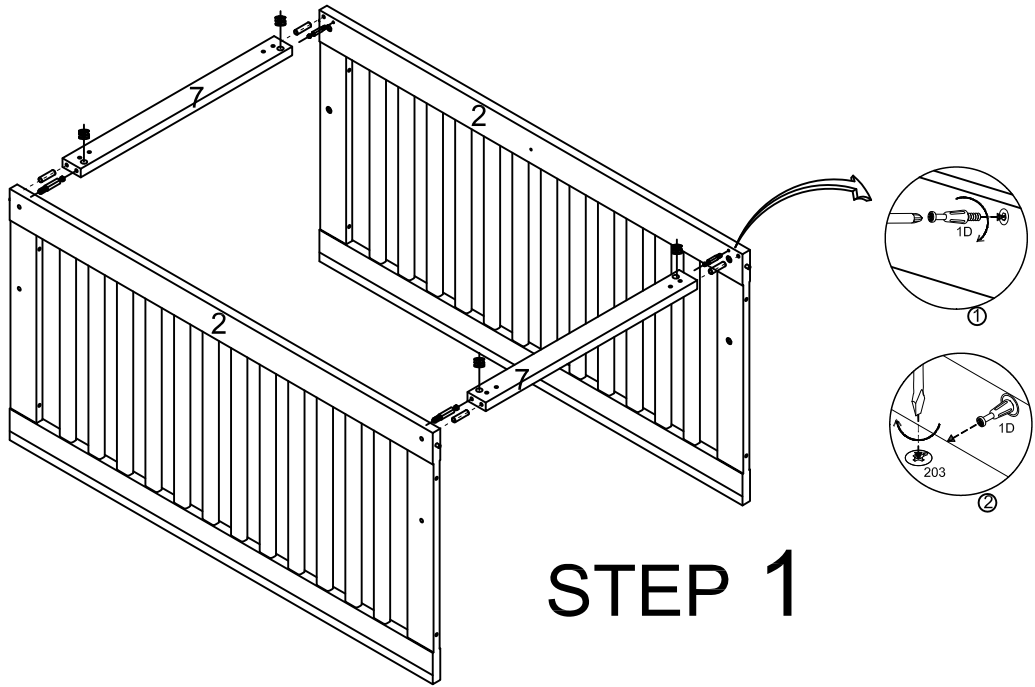
Regularly check that nuts, bolts and fittings are tightened properly. Loose fittings should be retightened as necessary. Loose fittings can result in snagging clothes or cords posing a risk of strangulation.

This cot bed is intended for use for children from birth to approximately 4 years of age. Use the cot for children from 0 - 18 months; use the toddler bed from 18 months to 4 years.

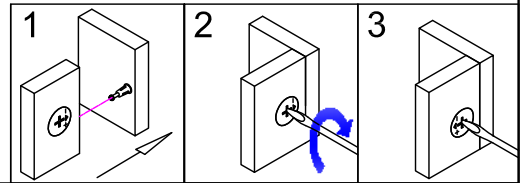
Children are likely to play, bounce, jump and climb on beds, therefore the child's bed should not be placed too close to other furniture or windows, and should be either tight to the wall or have a gap of 300mm between the wall and the side of the bed.


1D  35mm X4	203  15*10 x4	209  Ø8*40 X4
---	---	---

2(X2)
7(X2)

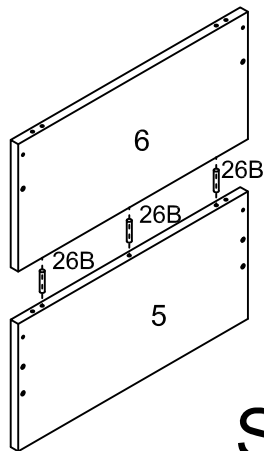


STEP 1



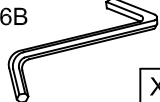


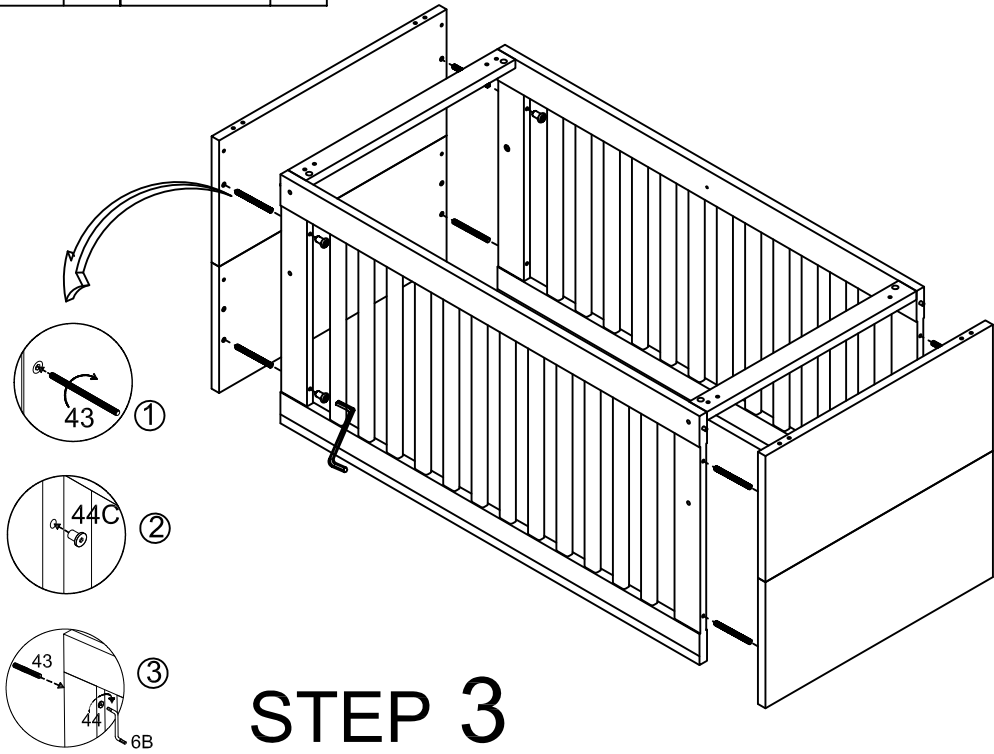
26B  Ø10*40 x6

5(X2)
6(X2)



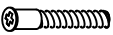
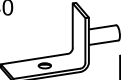


STEP 2

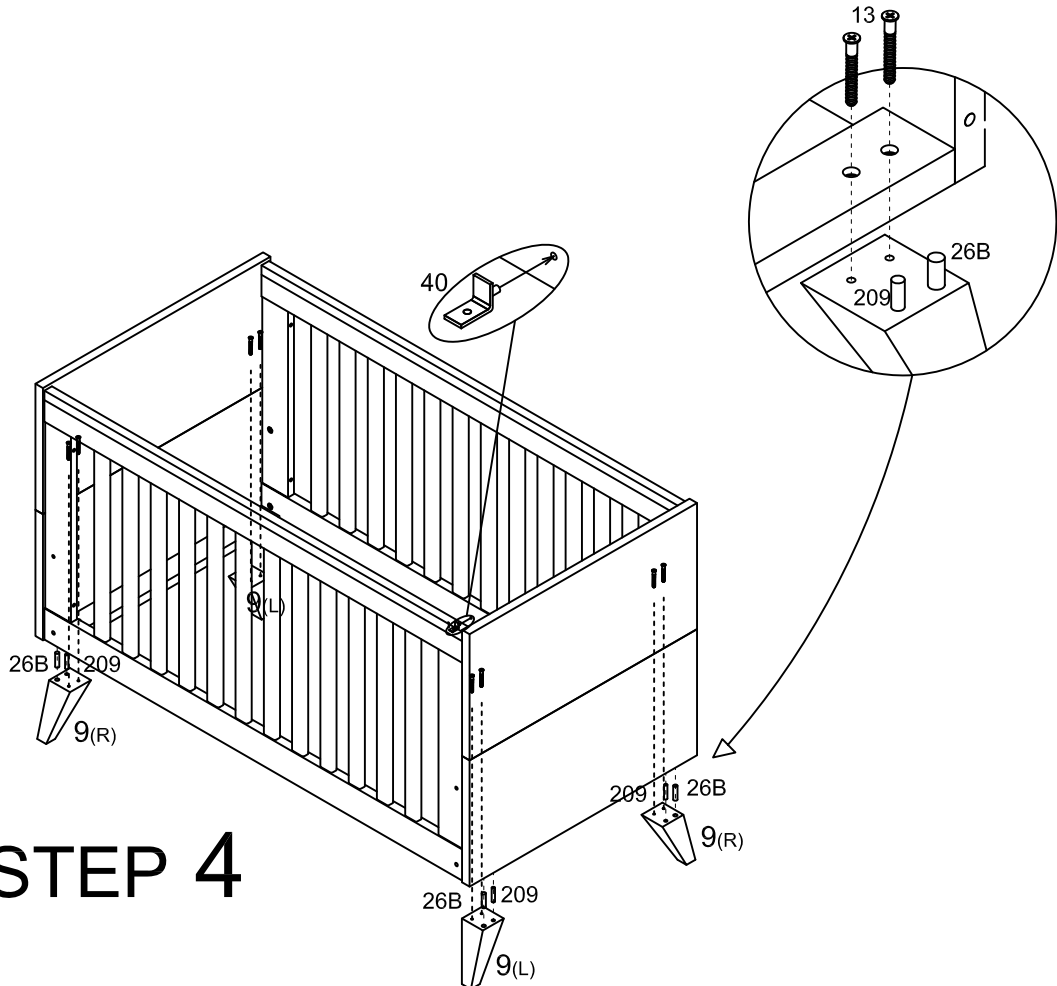
43  M6*103	X8	44C  M6	X8	6B  L-shaped	X1
---	----	--	----	--	----



STEP 3

209  Ø8*40	x4	26B  Ø10*40	x4	13  M6*48	X8	40  L-shaped	X2
---	----	--	----	--	----	---	----

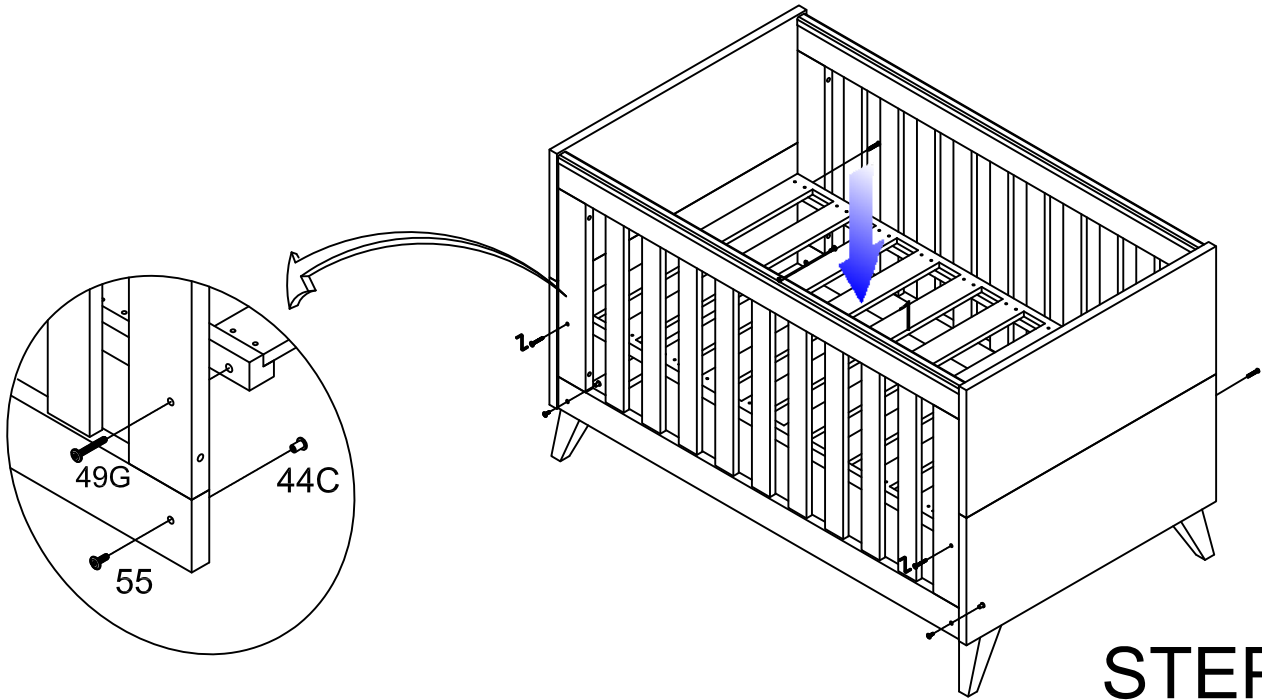
9(L)
9(R)



STEP 4

44C M6 X4	6B X2	55 M6*16 X4	49G M6*40 X4
-----------------	----------	-------------------	--------------------

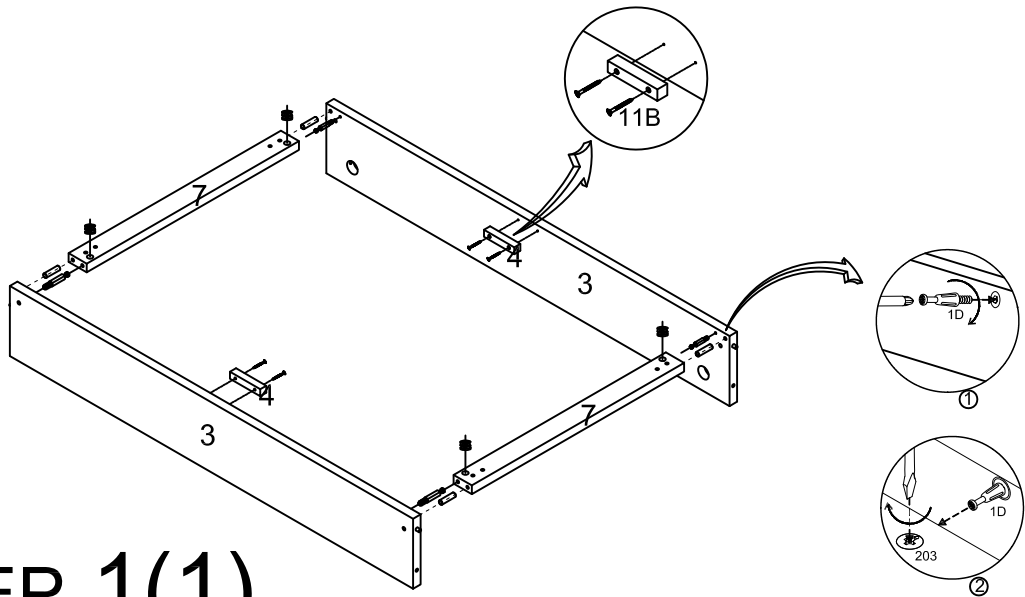
1



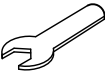




STEP 5

1D 35mm X4	203 15*10 x4	209 Ø8*40 X4	11B 4*35 X4
------------------	--------------------	--------------------	-------------------

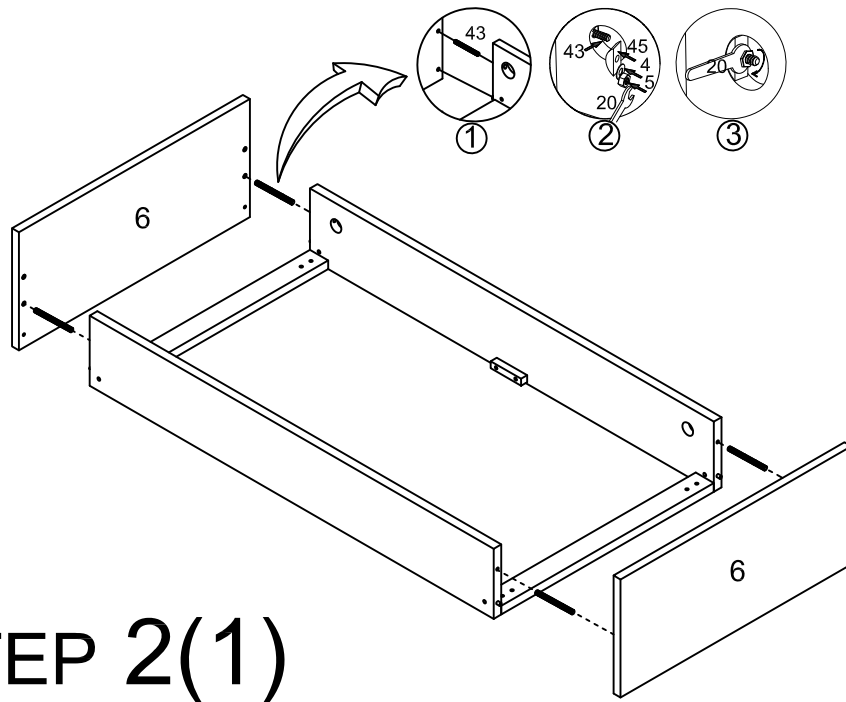
3(X2)
4(X2)
7(X2)





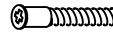
STEP 1(1)

20		X1	43		M6*103	X4	5		M6	X4	4		X4	45		X4
----	--	----	----	--	--------	----	---	--	----	----	---	--	----	----	---	----

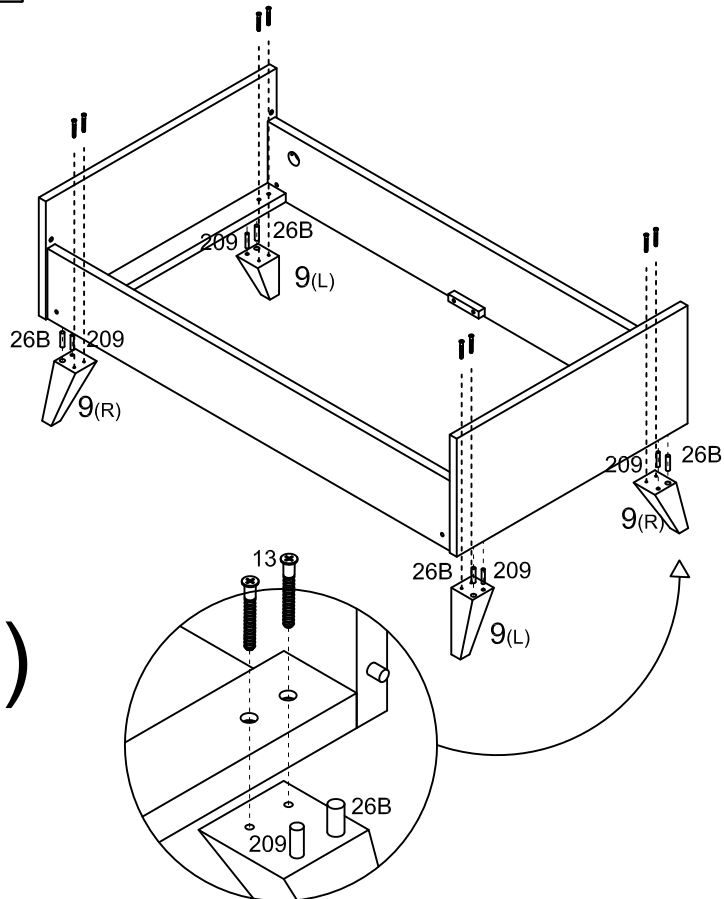
6(x2)



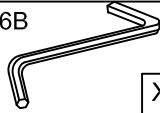


STEP 2(1)

209		Ø8*40	x4	26B		Ø10*40	x4	13		M6*48	X8
-----	--	-------	----	-----	---	--------	----	----	---	-------	----

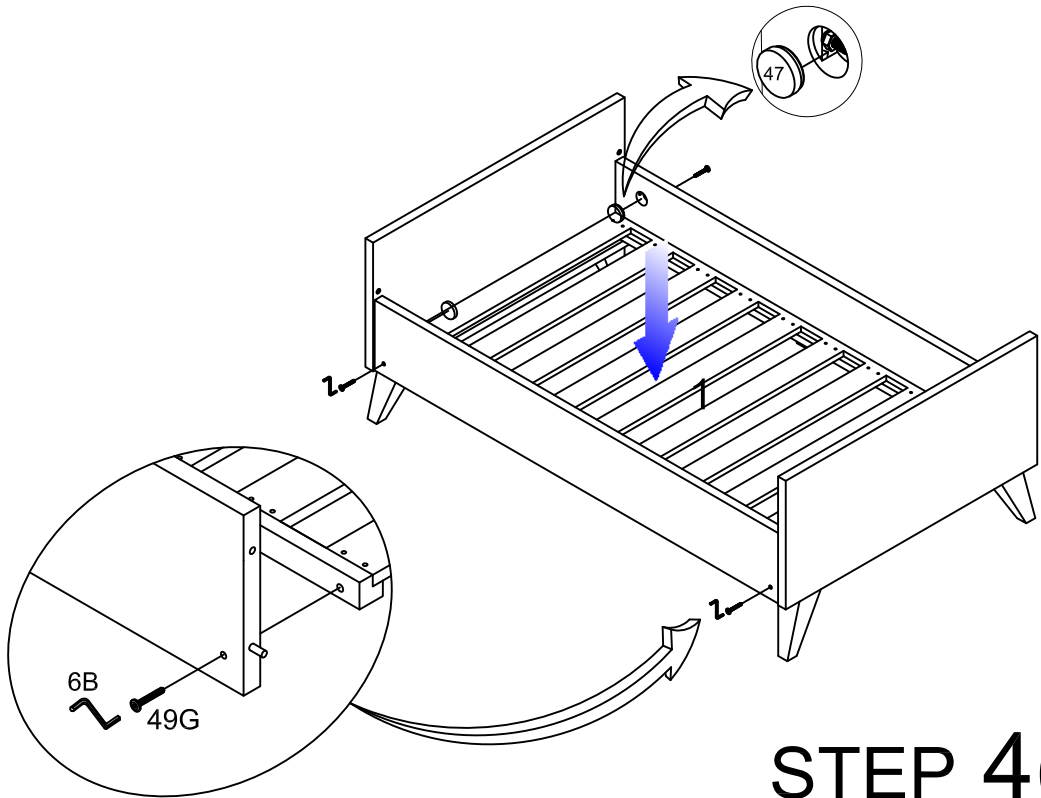
9(L)
9(R)






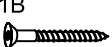
STEP 3(1)

6B 	49G 	47 
X1	M6*40 X4	X4

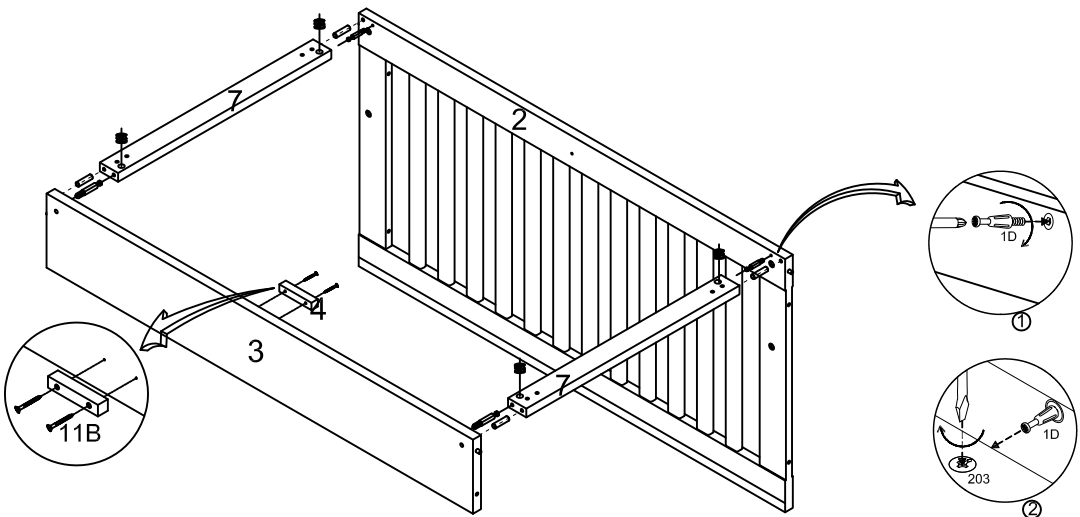
1



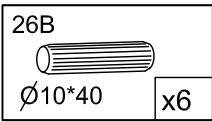
STEP 4(1)

1D 	203 	209 	11B 
35mm X4	15*10 x4	Ø8*40 X4	4*35 X2

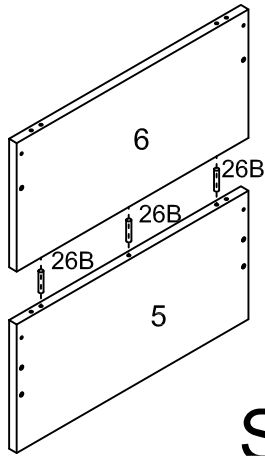
2
3
4
7(X2)





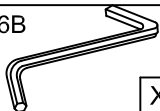




STEP 1(2)

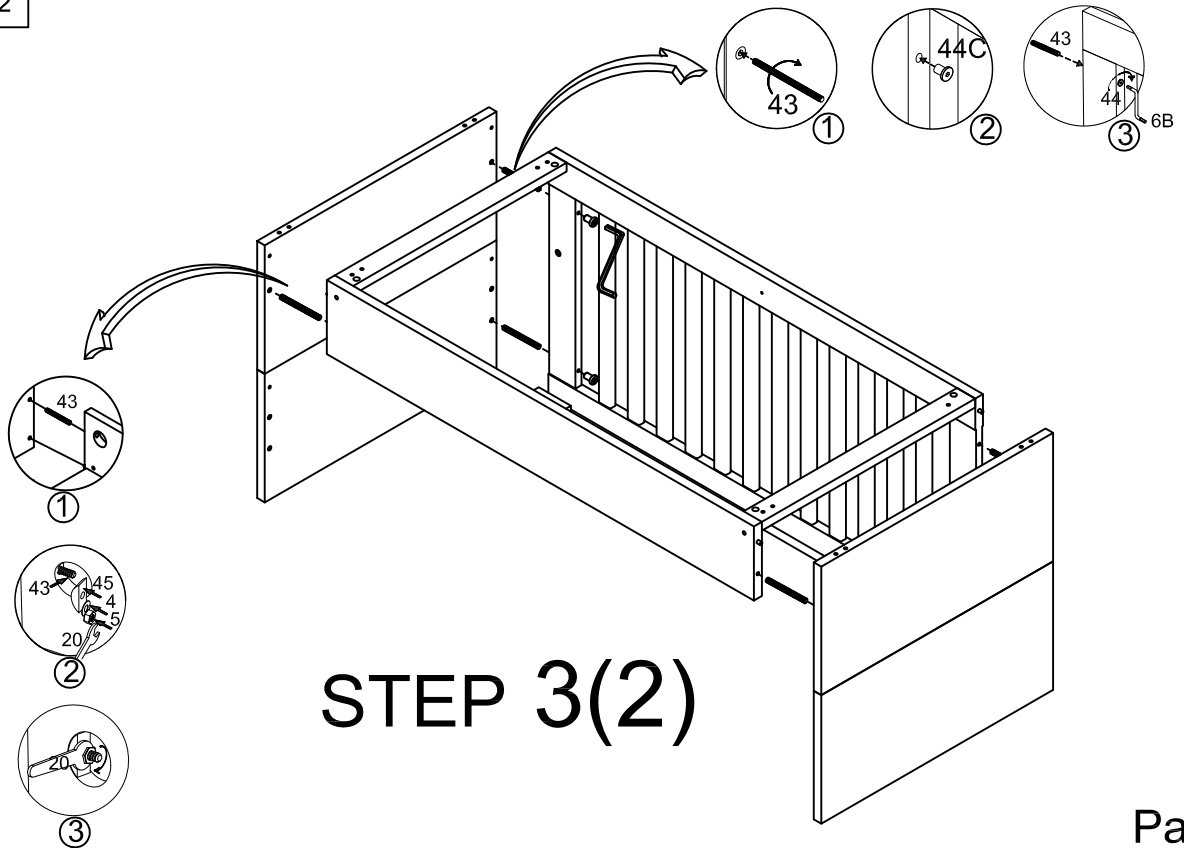


5(X2)
6(X2)



STEP 2(2)

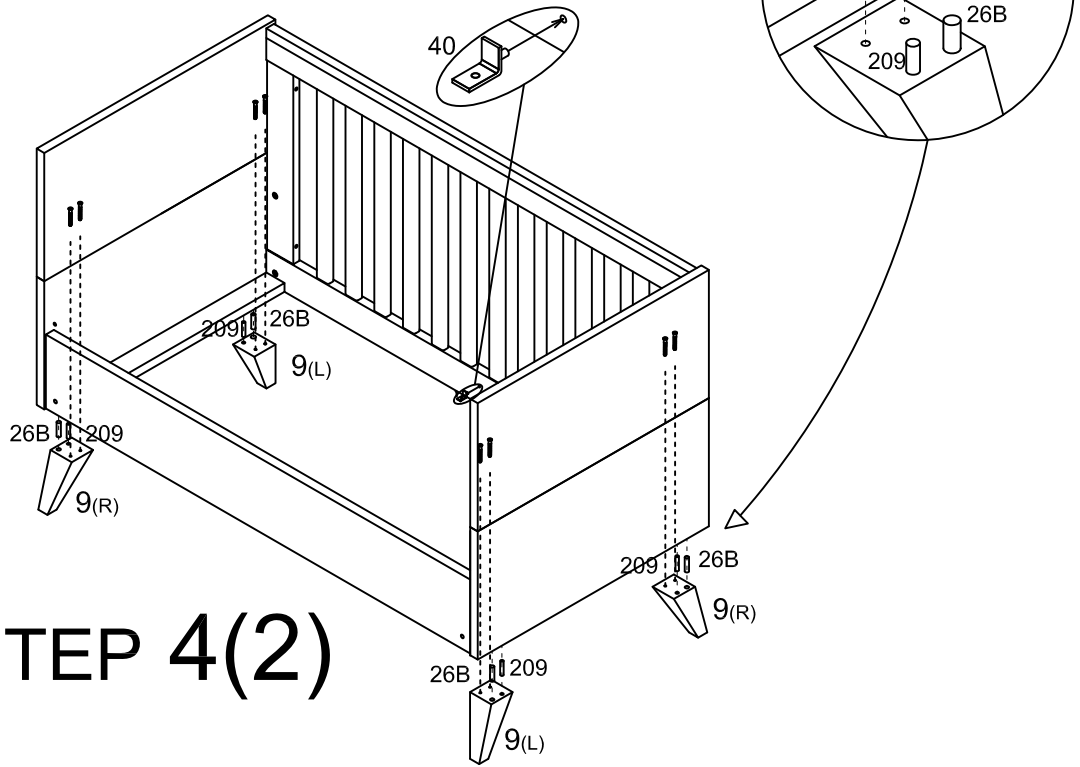
43  M6*103 X6	44C  M6 X4	6B  X1	20  X1	5  M6 X2	4  X2
45  X2					



STEP 3(2)

209 Ø8*40 x4	26B Ø10*40 x4	13 M6*48 x8	40 x1
--------------------	---------------------	-------------------	----------

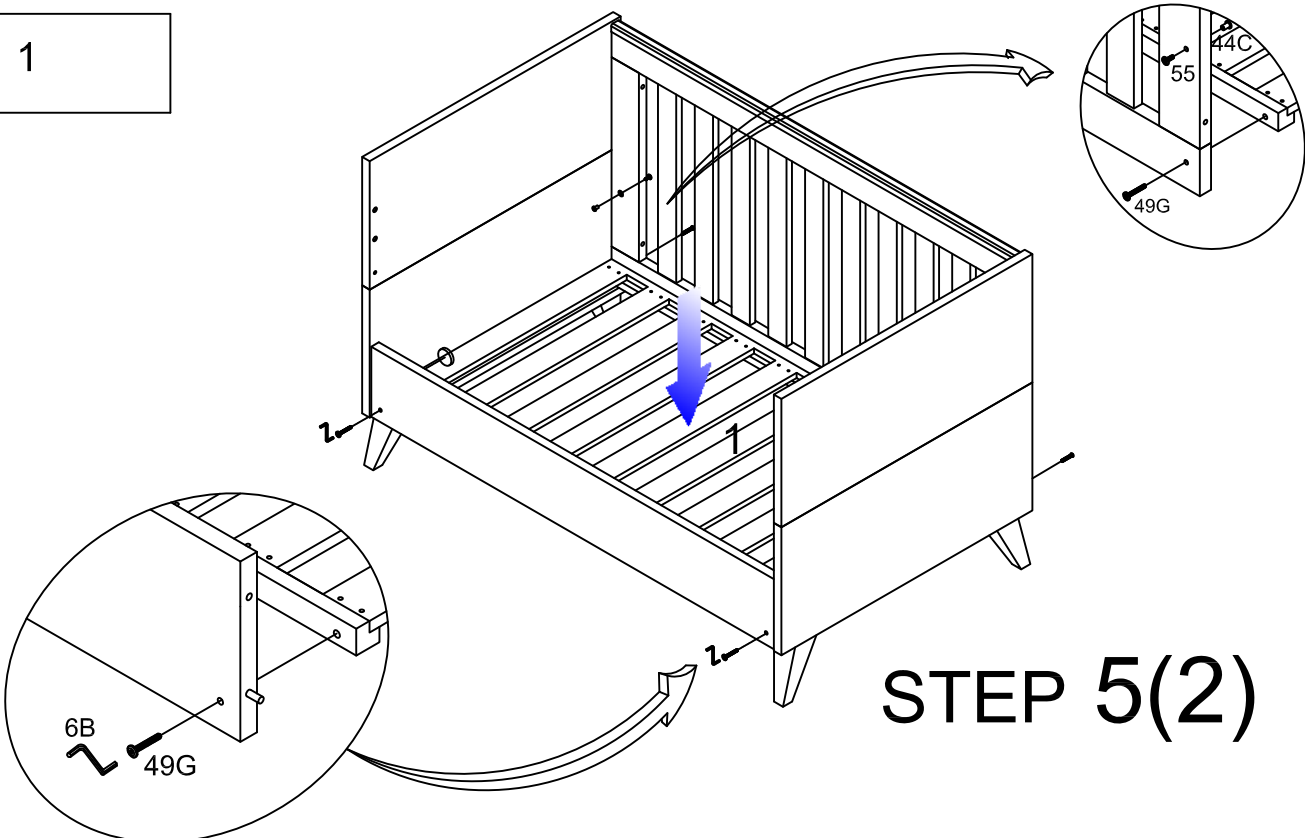
9(L)
9(R)



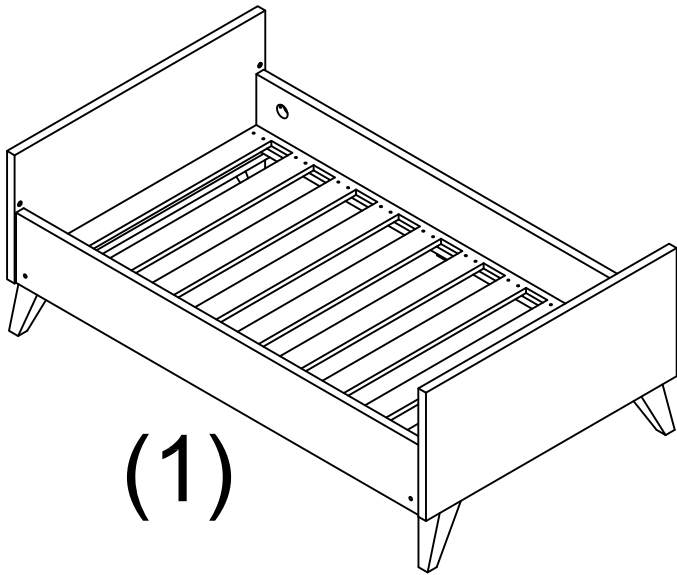
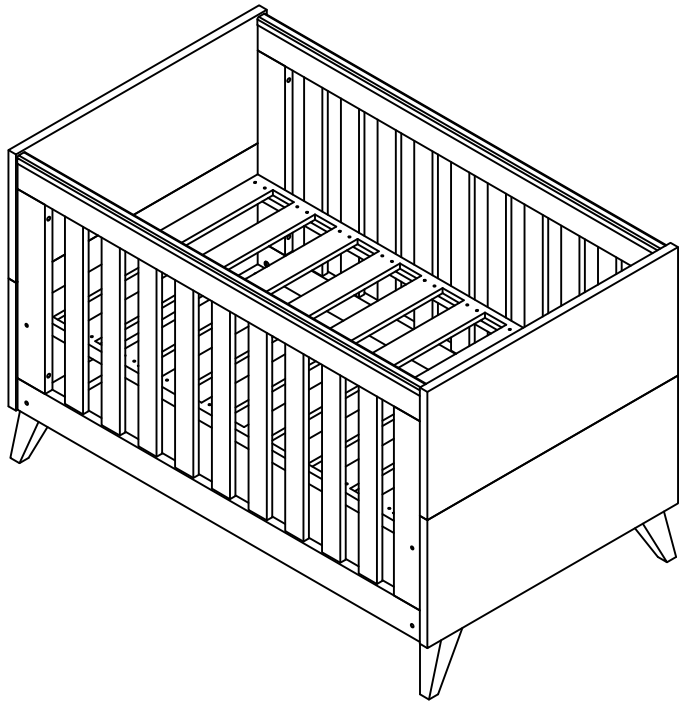
STEP 4(2)

6B x2	49G M6*40 x4	44C M6 x2	55 M6*16 x2	47 x2
----------	--------------------	-----------------	-------------------	----------

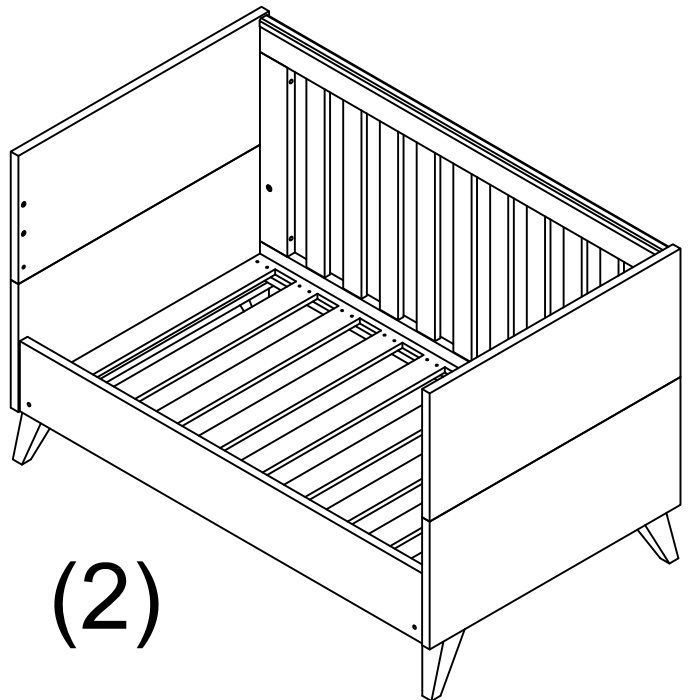
1



STEP 5(2)



(1)



(2)

LOVE N CARE WARRANTY AGAINST DEFECTS

All Love N Care products are guaranteed for twelve months from the date of purchase. Our goods come with guarantees that cannot be excluded under the Australian Consumer Law. You are entitled to a replacement or refund for a major failure and for compensation for any other reasonably foreseeable loss or damage. you are also entitled to have the goods repaired or replaced if the goods fail to be of acceptable quality and the failure does not amount to a major failure. This covers against faults which develop through faulty materials and workmanship.

Misuse, accidental damages, normal wear and tear or neglect are not covered.

If a fault becomes apparent, please return the item to the store of purchase with your receipt. You must inform the store what the defect is. We will then arrange for its repair or it will be assessed for replacement as expediently as possible. The benefits of this warranty are in addition to other right and remedies under the law in relation to the goods or services to which this warranty relates. If you are unable to return the item to the store of purchase, you can contact Love N Care on free call 1300 732 599.

Where you send the product directly to the manufacturer then you may be liable for the costs of transportation to and from Love N Care. Love N Care will meet the reasonable expenses incurred by a consumer in a making a warranty claim. You can claim expenses incurred in making a claim by contacting our customer service team on 1300 732 599 or by email at info@lovencare.com.au

loveⁿcare™

www.lovencare.com.au