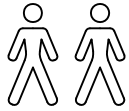


AU-LANCASTER

Wardrobe Instructions

80 min. ▶



LAN3120: 2,4,5

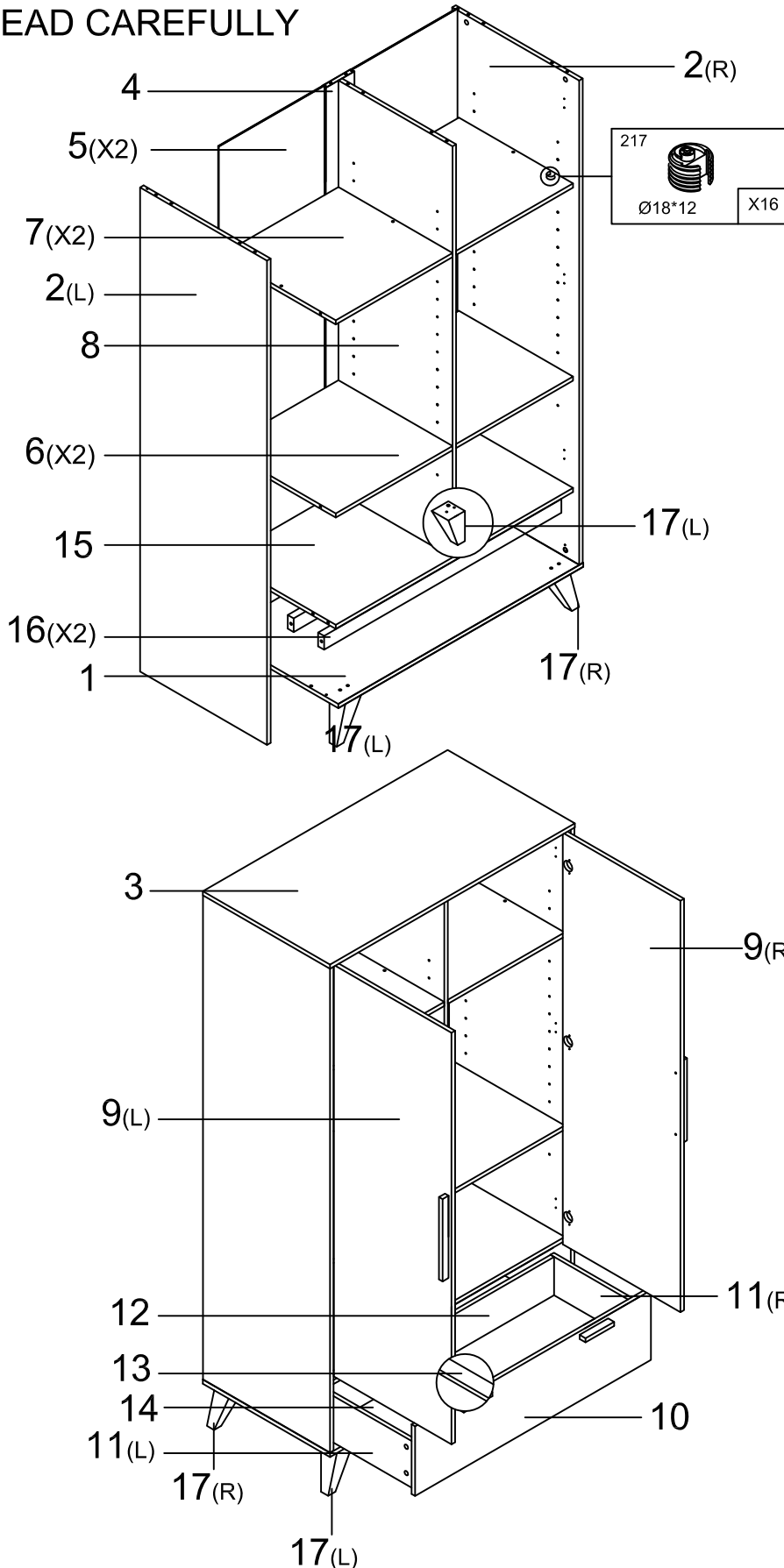
LAN3220: 8,9,10,11,12,13,19

LAN3320: 1,3,6,7,14,15,16

LAN3420: 17,18,20

CH B220F: AUS

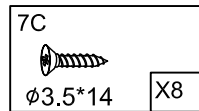
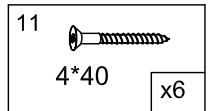
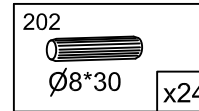
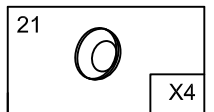
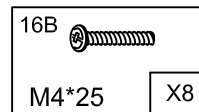
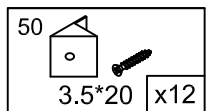
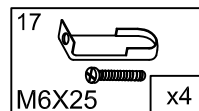
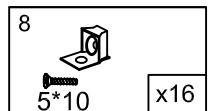
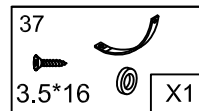
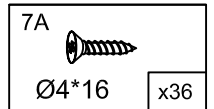
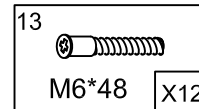
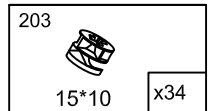
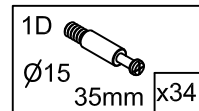
**IMPORTANT. RETAIN FOR FUTURE REFERENCE.
READ CAREFULLY**



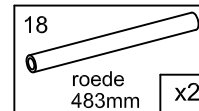
lovenhcare™

www.lovenhcare.com.au

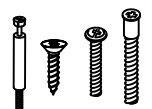
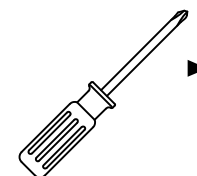
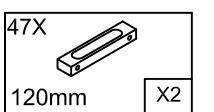
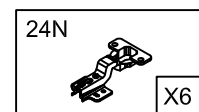
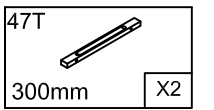
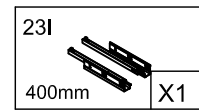
18


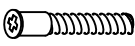
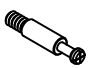



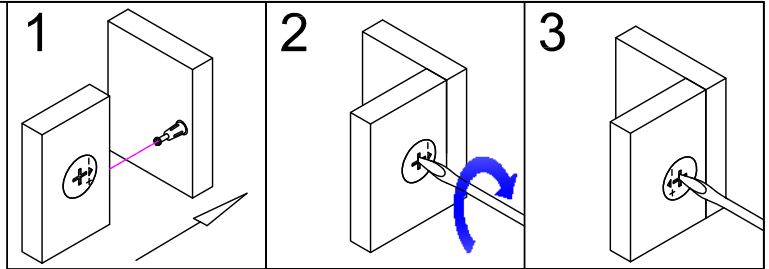
19



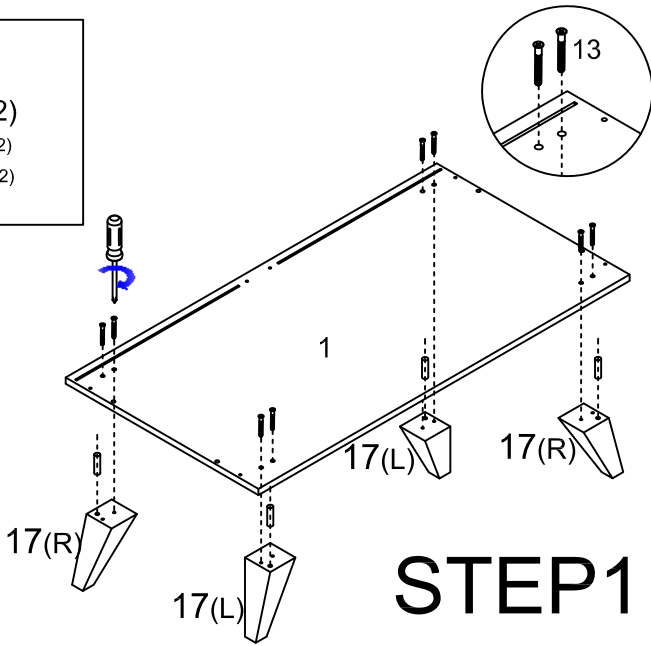
20



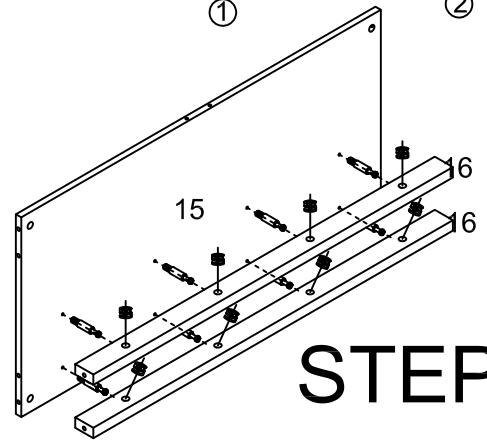
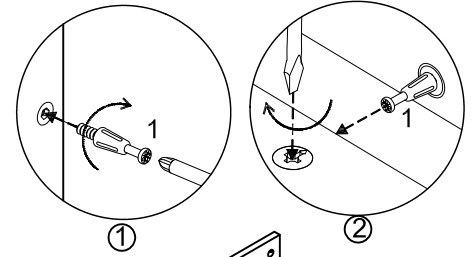
202  Ø8*30 X4	13  M7*48 X8
1D  35mm X8	203  15*10 x8






- 1
- 15
- 16(x2)
- 17(LX2)
- 17(RX2)



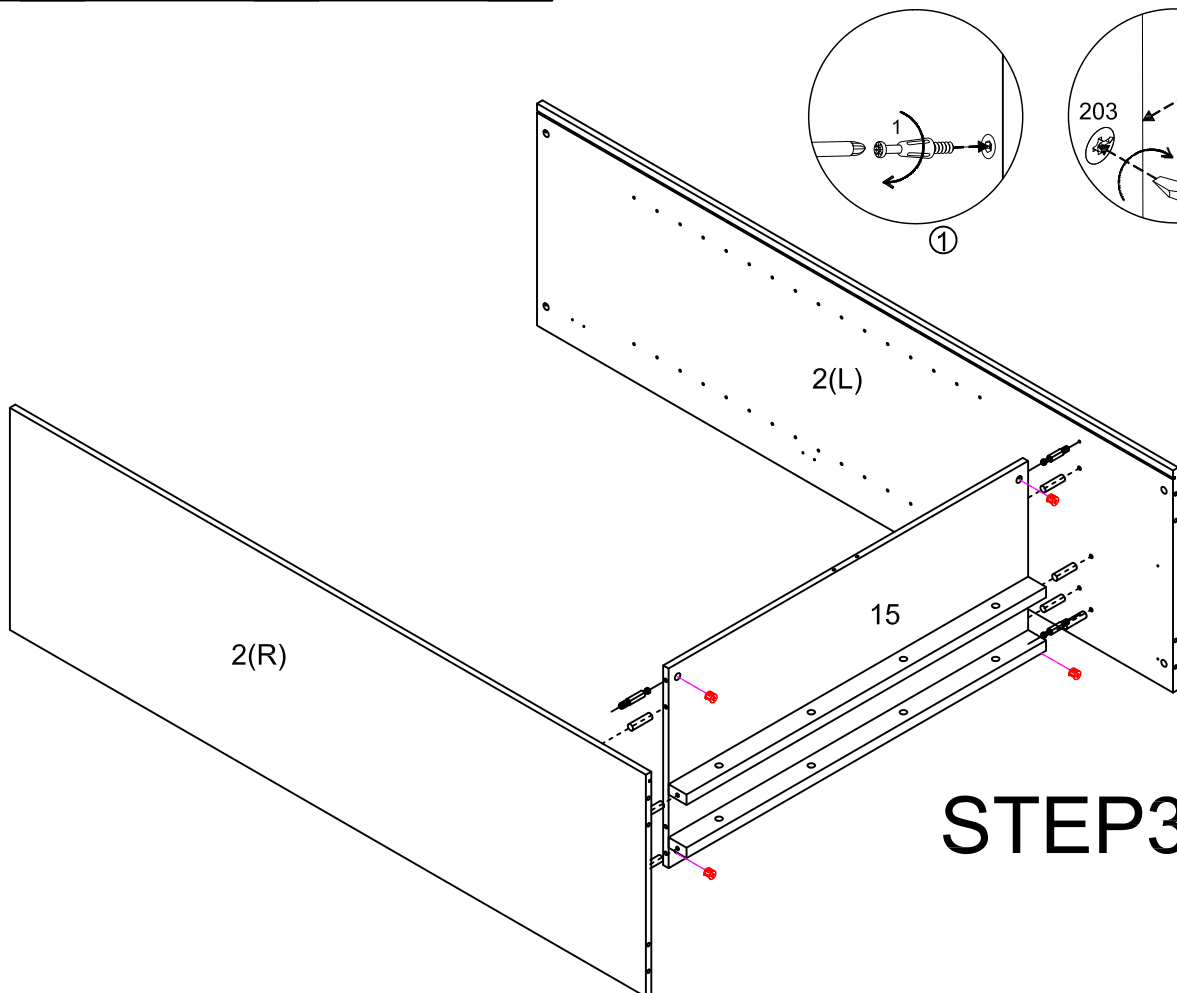
STEP 1



STEP 2

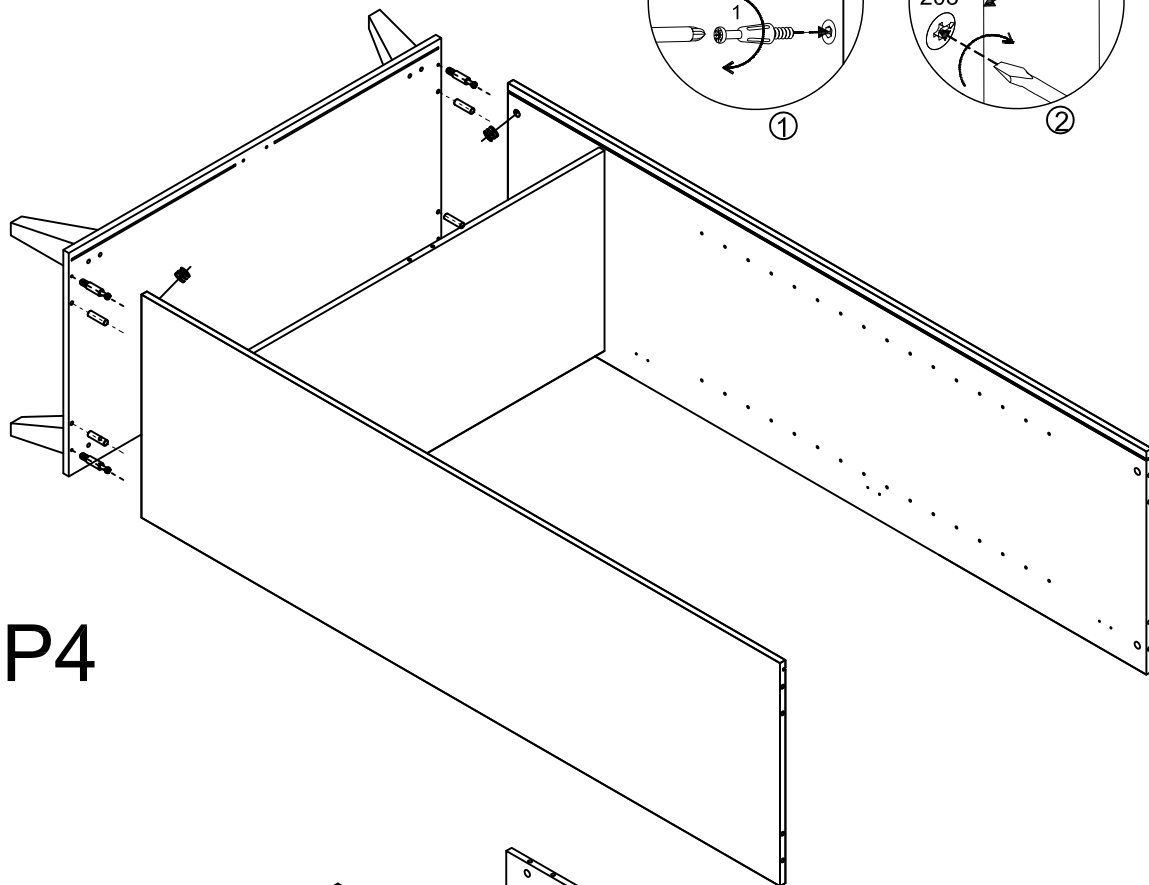
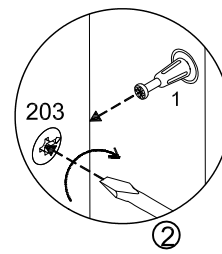
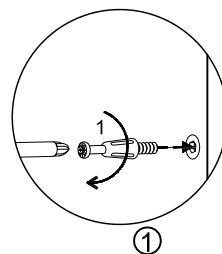
1D  35mm X4	203  15*10 x4	202  Ø8*30 X8
---	---	---

- 2(L)
- 2(R)



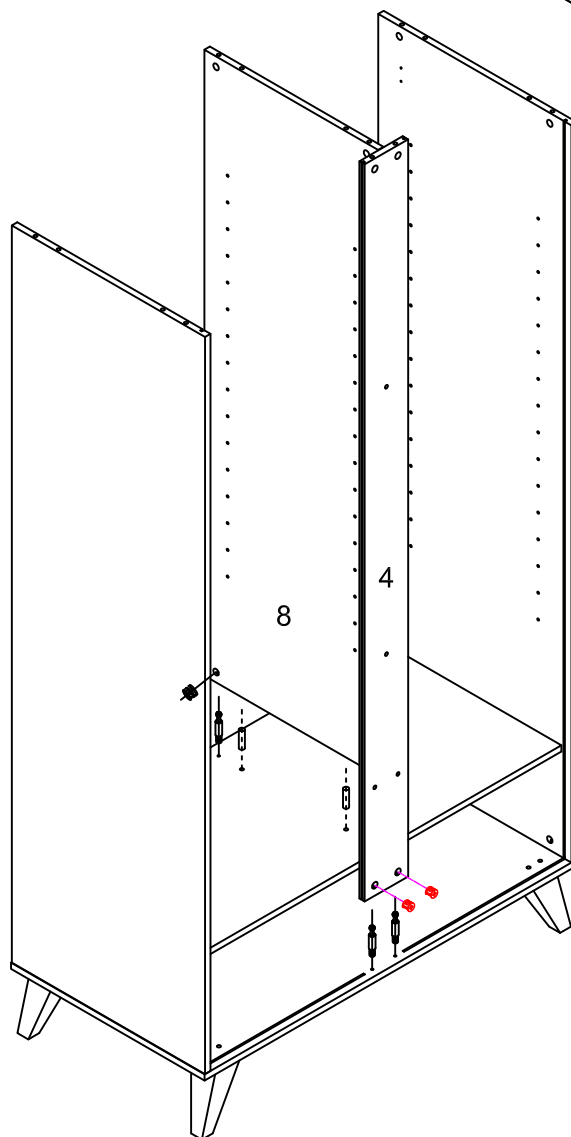
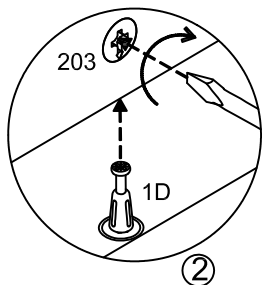
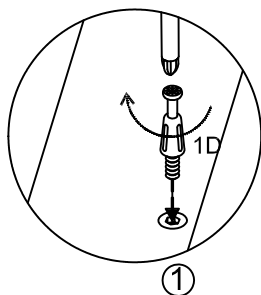
STEP 3

1D 35mm X8	203 15*10 x8	202 Ø8*30 X6
------------------	--------------------	--------------------

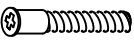





STEP4

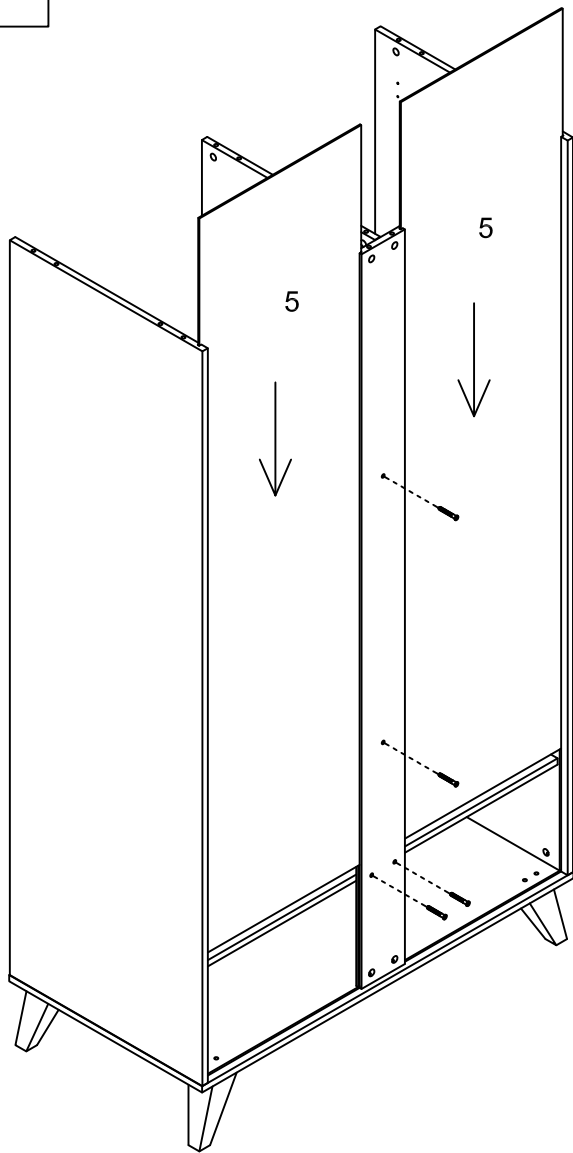
4
8



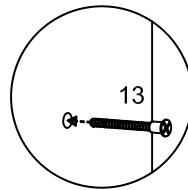
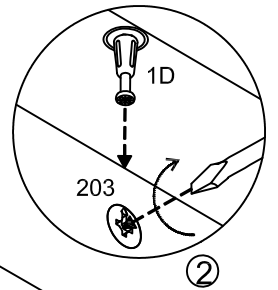
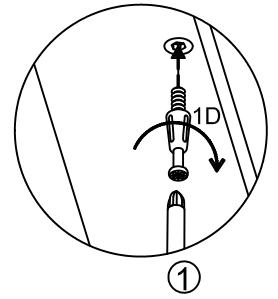
STEP5

13  M6*48 X4	1D  35mm X8	203  15*10 x8	202  Ø8*30 X6
--	---	---	---

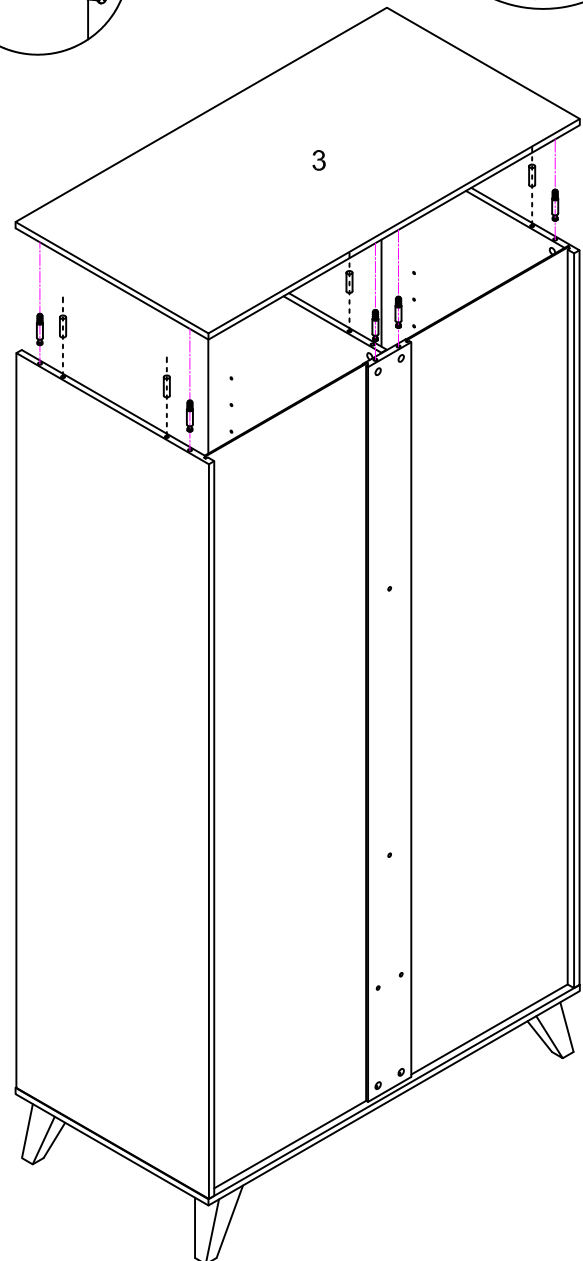
5(x2)



STEP6



3

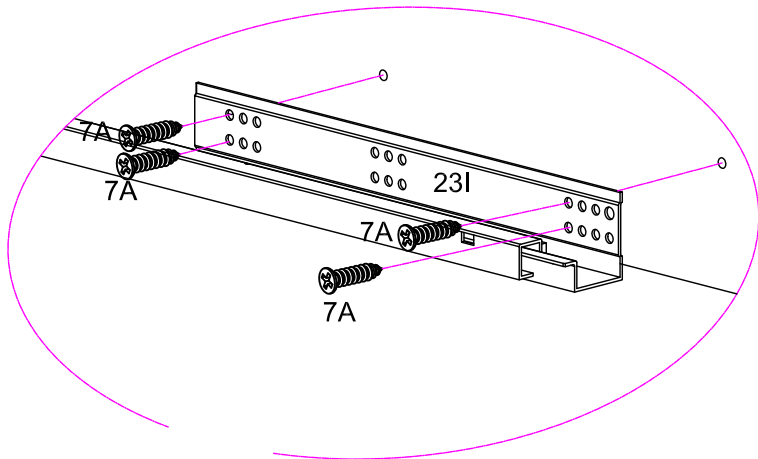
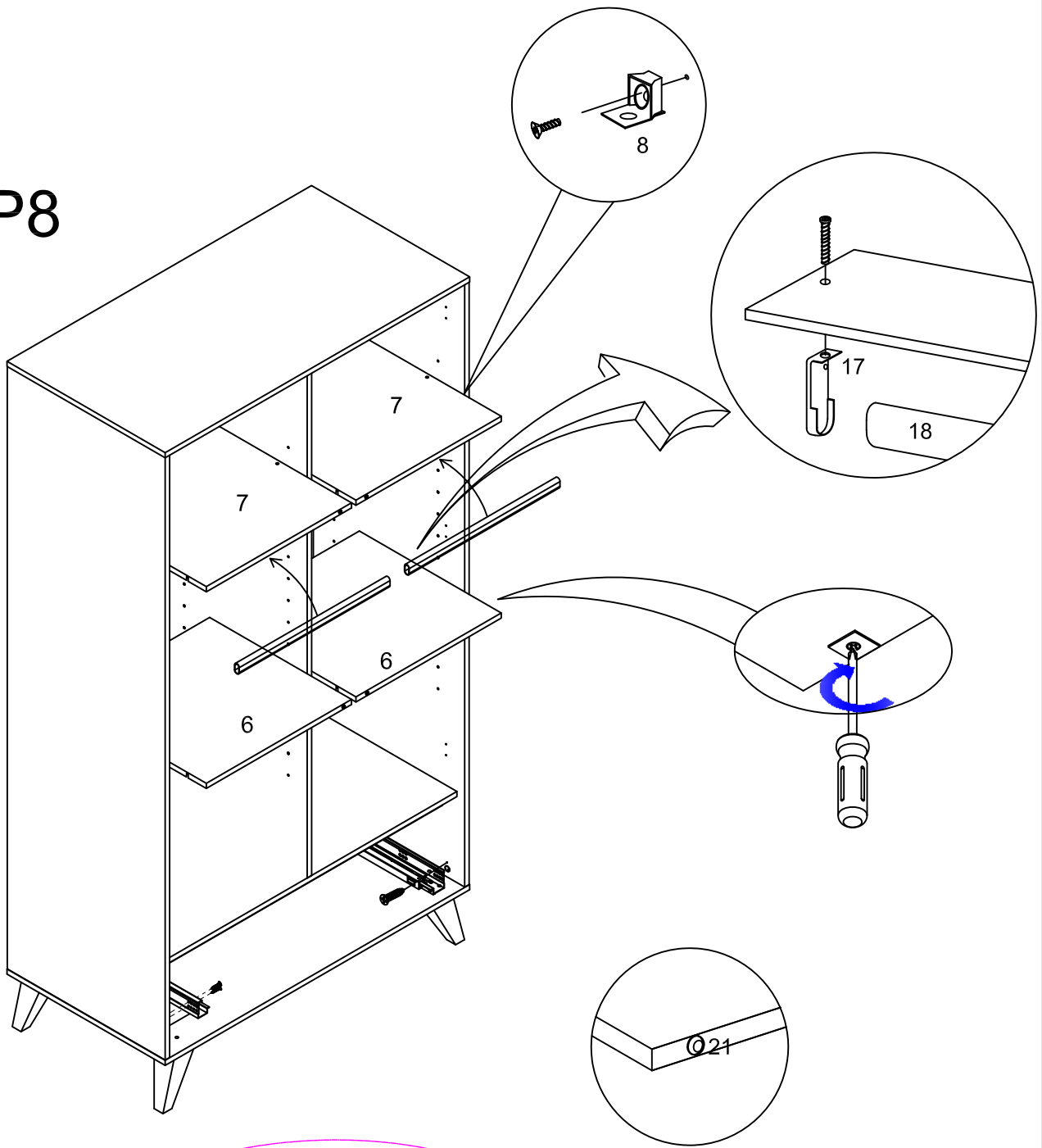


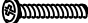


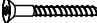

STEP7

23l 400mm X1	3.5*14 X8	17 M6X25 X4	18 483 mm X2	21 X4	8 5*10 x16
--------------------	--------------	-------------------	--------------------	----------	------------------

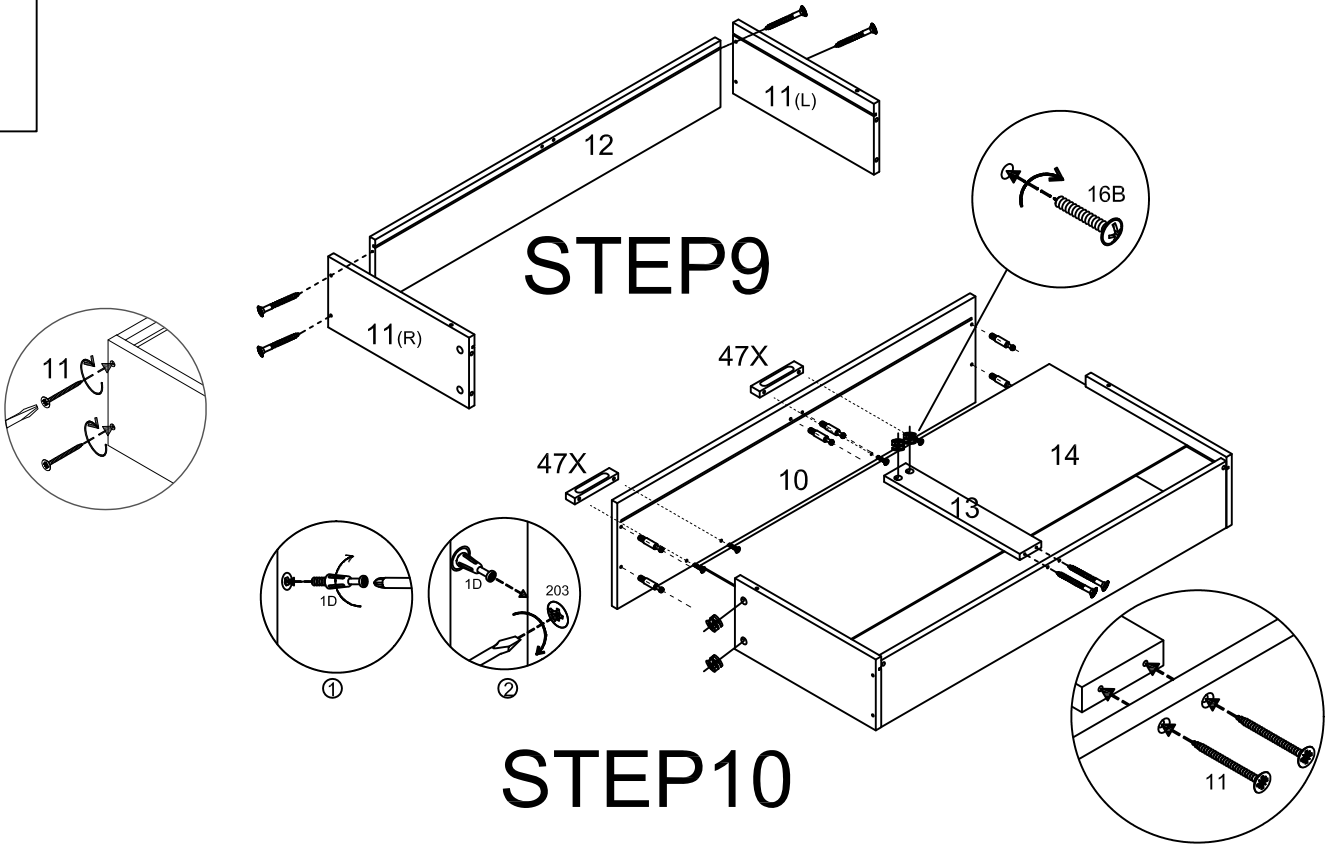
6(x2)
7(x2)

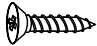
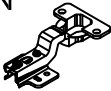
STEP8



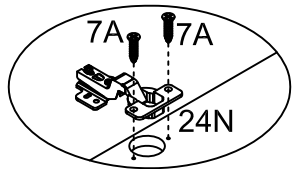
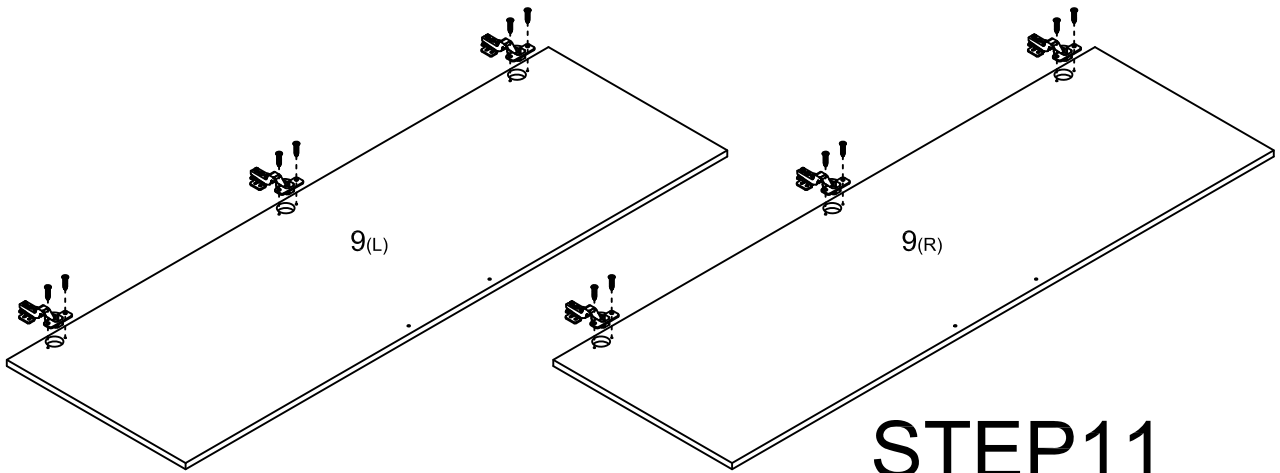
16B  M4*25	X4	1D  35mm	X6	203  15*10	X6	11  4*40	X6	47X  120mm	X2
---	----	---	----	---	----	---	----	--	----



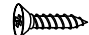
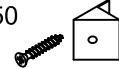
- 10
- 11(L)
- 11(R)
- 12
- 13
- 14



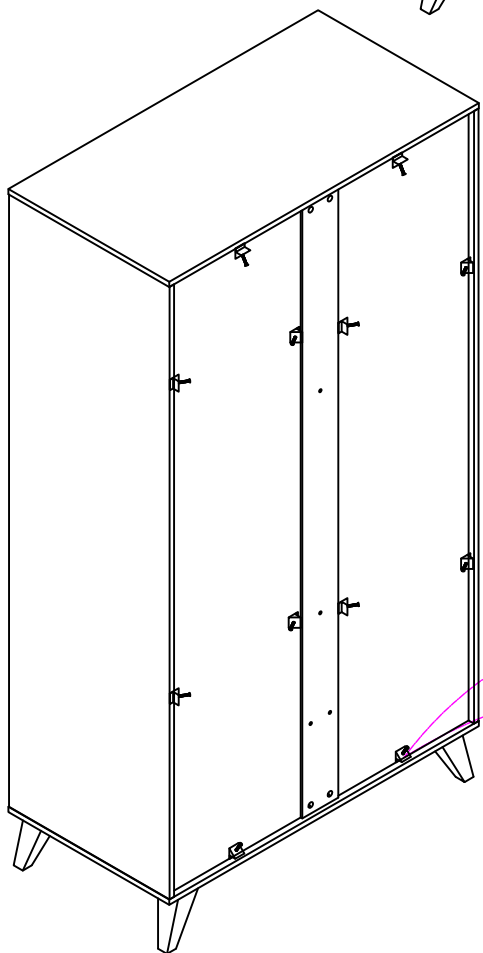
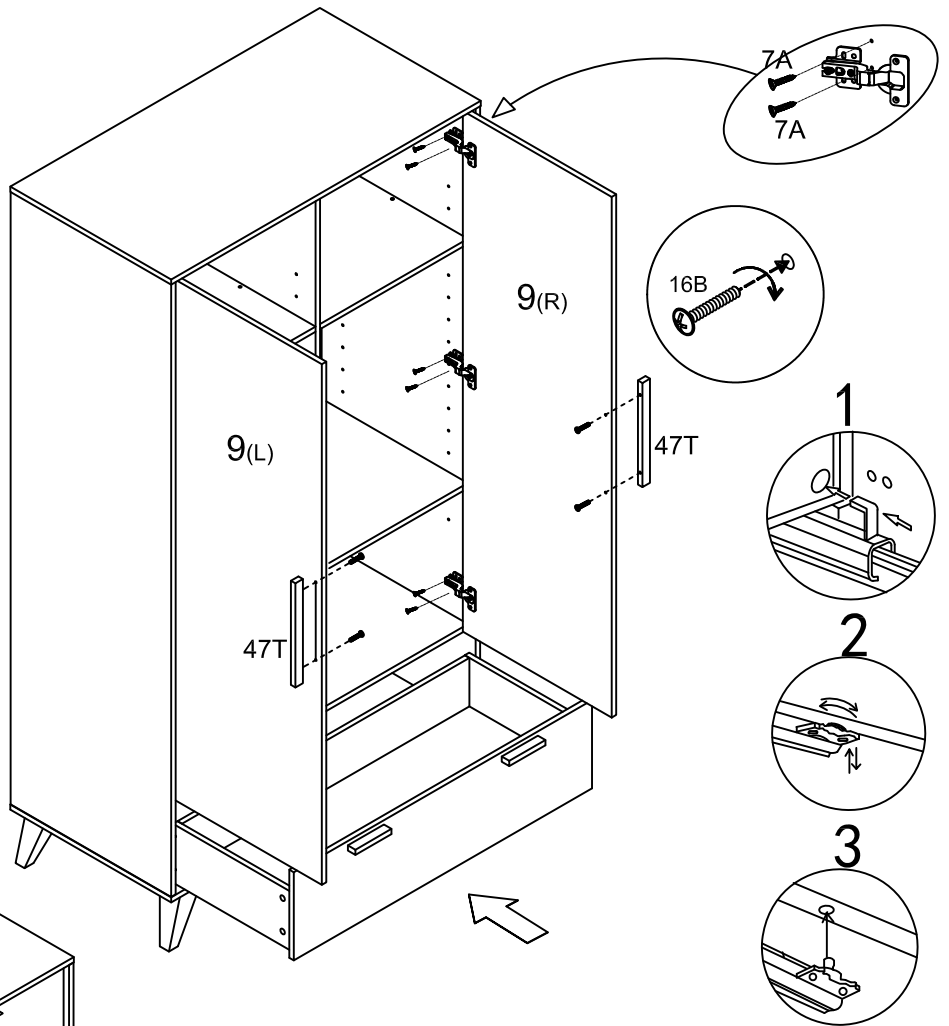
7A  ø4*16	X12	24N  X6
---	-----	--

- 9(L)
- 9(R)



16B  M4*25	X4	47T  300mm	X2	7A  φ4*16	X12	50  3*20	x12
---	----	--	----	---	-----	--	-----

STEP12



STEP13

Adjustment:

- Step A: leveling wardrobe
- Step B: making doors straight
- Step C: adjusting height doors
- Step D: adjusting interspace doors

A

If one of the legs comes free from the floor or if the wardrobe is not standing at right angles, you will have to push a wedge or a sheet of paper plied in the desirable thickness, under the leg.

B

Adjust the door on the right depth using the middle hinge.

C

Adjust hinges in height .

Slide hinge mounting plate

D

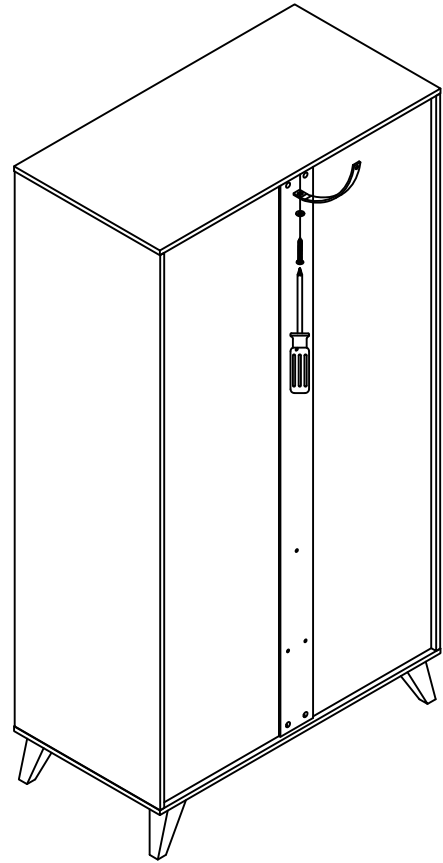
Adjust doors left / right.

+ = more space
 - = less space

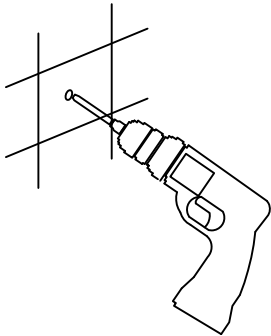
Safety belts

The stability and strength of this product have been tested extensively. In spite of taking good care of your child's behaviour; the child should not be climbing into or hanging on the product. This could be dangerous, especially when the drawers and doors are open. To guarantee the safety of your child as much as possible you must fit the included safety belts according to the assembling instructions; ensuring that the fastenings used are appropriate to the wall type.

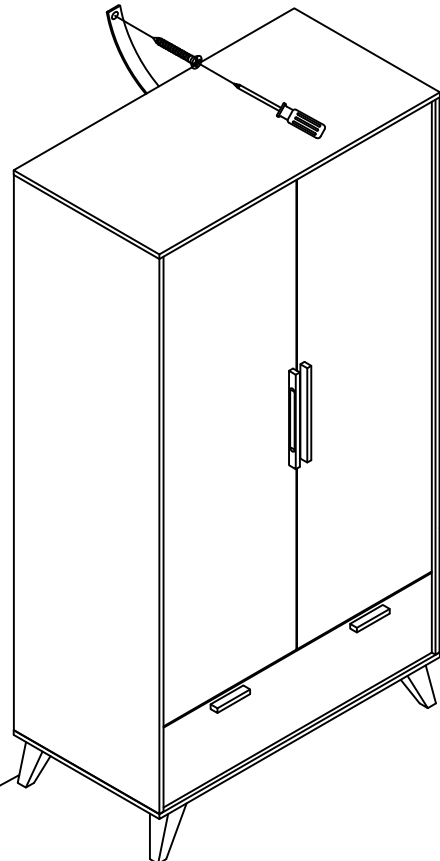
1 ▷



2 ▷



3 ▷



INSTRUCTIONS FOR SAFE USE AND MAINTENANCE

- 1. WARNING: NEVER LEAVE YOUR CHILD UNATTENDED. THE SAFETY OF YOUR CHILD IS YOUR RESPONSIBILITY.**
- 2. Do not allow children to climb on or in the wardrobe.**
- 3. Make sure the wardrobe is situated on a clear firm and level surface**
- 4. Never use the wardrobe if it is broken or damaged or there are parts missing.**
- 5. Do not place the wardrobe in or near the vicinity of open fires or other sources of strong heat, such as gas or electric fires.**
- 6. The wardrobe can be cleaned with a clean damp cloth. Do not use aggressive cleaning agents such as bleach or strong detergents.**
- 7. Check on a regular basis that all fittings and screws are correctly tightened and are not damaged. Loose screws can pinch parts of the body and clothing resulting in the risk of strangulation.**
- 8. Do not twist or pivot the wardrobe, if the wardrobe is to be moved always lift with at least two people.**

Product development dictates that components may occasionally differ from the ones shown in the diagrams of these instructions. The right to change the specifications and design of the furniture without prior notice remains with the manufacturer.

LOVE N CARE WARRANTY AGAINST DEFECTS

All Love N Care products are guaranteed for twelve months from the date of purchase. Our goods come with guarantees that cannot be excluded under the Australian Consumer Law. You are entitled to a replacement or refund for a major failure and for compensation for any other reasonably foreseeable loss or damage. you are also entitled to have the goods repaired or replaced if the goods fail to be of acceptable quality and the failure does not amount to a major failure. This covers against faults which develop through faulty materials and workmanship.

Misuse, accidental damages, normal wear and tear or neglect are not covered.

If a fault becomes apparent, please return the item to the store of purchase with your receipt.

You must inform the store what the defect is. We will then arrange for its repair or it will be assessed for replacement as expediently as possible. The benefits of this warranty are in addition to other right and remedies under the law in relation to the goods or services to which this warranty relates. If you are unable to return the item to the store of purchase, you can contact Love N Care on free call 1300 732 599.

Where you send the product directly to the manufacturer then you may be liable for the costs of transportation to and from Love N Care. Love N Care will meet the reasonable expenses incurred by a consumer in a making a warranty claim. You can claim expenses incurred in making a claim by contacting our customer service team on 1300 732 599 or by email at info@lovencare.com.au

loveⁿcare™

www.lovencare.com.au