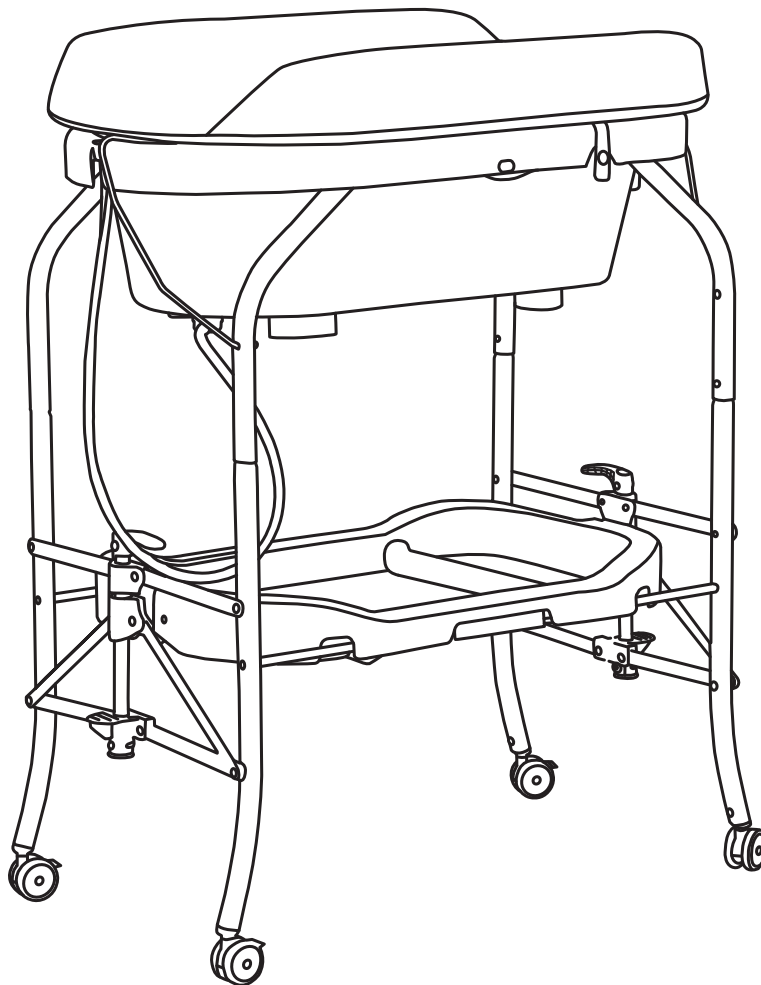


lovenhcare™

BP 6689

Celeste

Bath and Changer

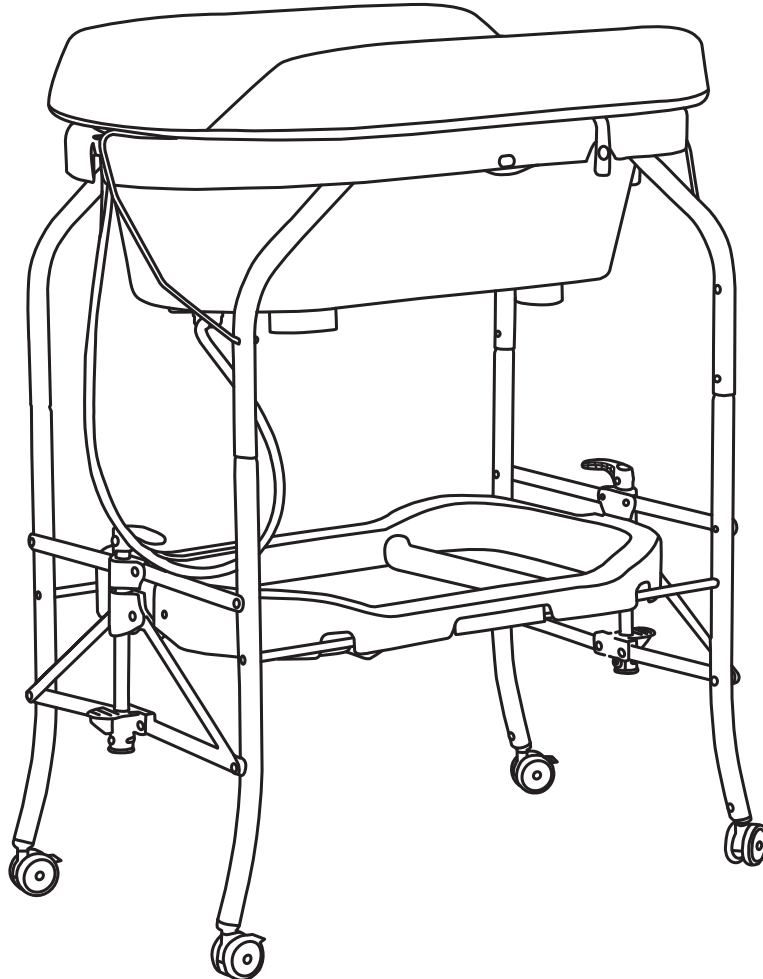


PLEASE KEEP THESE INSTRUCTIONS FOR FUTURE REFERENCE

love^hcare™

Congratulations on your purchase of the Celeste change table and bath.

This product has been designed and developed with safety, comfort and functionality in mind. Please take the time to read this manual carefully before using this product and keep it in a safe place for future reference



WARNINGS FOR THE CHANGING TABLE

- The changing table can be used for infants from moment of birth up to 12 months and 11 kg. For home use only.
- **WARNING:** Do not leave the child unattended.
- **WARNING:** Children have drowned while using bath aids.
- **WARNING:** This is not a safety device.
- **WARNING:** Always keep your baby within arm's reach.
- **WARNING:** Ensure that all the locking devices are engaged before use.
- **WARNING:** The drainage hose should be permanently attached to the bath tub drainage outlet or stored out of the reach of children.
- **WARNING:** Take into account risk of free flames and other sources of strong heat such as electric stoves, gas stoves, etc. in the immediate vicinity of the product.
- **WARNING:** Make sure that the wheel brakes are engaged before use.
- Never use the product without tub mounted on the frame.
- The changing table mat must always be fixed onto the frame when used. The changing table must always be used with padding on the lid so as to provide sufficient barrier to protect the baby against falls.
- Do not use the product if any part is broken, torn or missing.
- Do not use accessories, spare parts, or any component not supplied or approved by the manufacturer.
- This product must only be used by an adult.
- To avoid the risk of injury, make sure that the space above the product is suitable (there should be no shelves, furniture, etc..).
- Do not place more than one child at a time in the changing table.
- Do not place the product on surfaces that are not perfectly flat.
- All securing devices for assembly must be tightened correctly and checked regularly.
- Do not allow other children to play unsupervised near the product.
- Wait for the product to cool before placing the baby onto it whenever it has been exposed to heat.
- Do not overload the bottom shelf with weights exceeding 7 kg.
- When unused, the product should be kept out of reach of children
- Never turn the child on its stomach inside the tub.
- **WARNING:** To avoid burns, before placing the child in the tub pay attention to water temperature (max 32.2 – 37.8 ° C), make sure that the child cannot access the tap.
- Mix water to avoid hot and cold pockets.
- Before placing the child in the water for the bath, check that the water temperature with a thermometer is correct.
- Before filling the tub with water, make sure that the plug is seated properly.
- Only one child may use the tub at a time.
- Do not leave objects in the tub when bathing.
- When using the tub make sure that the plug has been fitted correctly.
- Before placing the child in the water for the bath, make sure that the changing table is always secured in place from the side of the frame.
- Pay attention to appliances and power cables near the product.

WARNINGS FOR THE TUB

- Age of use allowed: from birth up to 12 months and 15kg. For home use only.
- **WARNING:** To avoid risk of drowning, always keep the child under hand. The child can drown in the tub in only a brief time and little water (2 cm).
- Only an adult may wash the baby.
- Never leave your child unattended.
- Keep all bathing materials near the tub so as to never leave the child unattended.
- **WARNING:** To avoid RISK OF DROWNING never leave the child unattended during the bath. Do not answer the phone or open the door. Always take the baby with you if it is necessary to leave the bathroom.
- Do not use the tub on elevated surfaces (e.g. tables or the edge of the bath tub for adults).
- Make sure that the supporting surface under the tub can support it.
- Always make sure that the tub is resting on a flat, dry and stable surface. The stability of the tub should be checked before and during use.

WARNING

Children have **DROWNED** while using bath aids.
This is **NOT** a safety device. **ALWAYS** keep
baby within arm's reach. **NEVER** leave
baby in care of children.





WARNING

Drowning Hazard: Babies have drowned while using infant bath tubs.

To prevent drowning: **Stay** in arm's reach of your baby.

- Use in **empty** adult tub or sink.
- Keep drain **open**.
- **Never** rely on a toddler or preschooler to help your baby or alert you to trouble. babies have drowned even with other children in or near the bath tub.
- Babies can drown in a little as 1 inch of water. Use as little water as possible to bathe your baby.



WARNING

Fall Hazard: Babies have suffered **head injuries** falling from infant bath tubs.

To prevent falls:

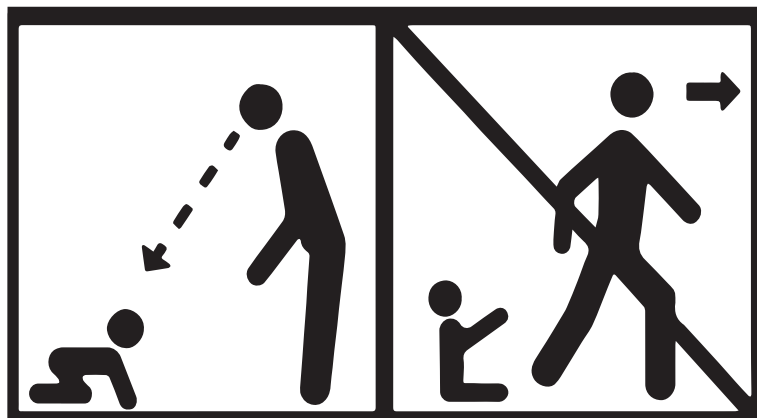
- Place tub only on floor for safe use.
- **Never** lift or carry baby in tub.



WARNING

Fall Hazard: Babies have suffered head injuries falling from changing pads. Falls can happen quickly.

- Stay in arm's reach of your child..
- Read all instructions before use of this products.
- Keep the instructions for future use.
- Your child's safety may be affected if you do not follow these instructions.
- Do not use product if it is damaged or broken.
- **WARNING:** The bathtub is intended for child from birth up to 15kg.
- **WARNING:** The changing pad is intended for child from birth to 12 months - 11kgs



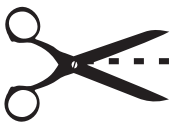
Warranty Against Defects

All Love N Care products are guaranteed for twelve months from the date of purchase. Our goods come with guarantees that cannot be excluded under the Australian Consumer Law.

You are entitled to a replacement or refund for a major failure and for compensation for any other reasonably foreseeable loss or damage. You are also entitled to have the goods repaired or replaced if the goods fail to be of acceptable quality and the failure does not amount to a major failure. This covers against faults which develop through faulty materials and workmanship.

Misuse, accidental damages, normal wear and tear or neglect are not covered. If a fault becomes apparent, please return the item to the store of purchase with your receipt. You must inform the store what the defect is. We will then arrange for its repair or it will be assessed for replacement as expediently as possible. The benefits of this warranty are in addition to other right and remedies under the law in relation to the goods or services to which this warranty relates. If you are unable to return the item to the store of purchase, you can contact Love N Care on free call 1300 732 599.

Where you send the product directly to the manufacturer then you may be liable for the costs of transportation to and from Love N Care. Love N Care will meet the reasonable expenses incurred by a consumer in making a warranty claim. You can claim expenses incurred in making a claim by contacting our customer service team on 1300 732 599 or by email at info@lovenecare.com.au



12 MONTH WARRANTY

Please fill in this section to validate your warranty and send to: **297 Canterbury Rd Revesby NSW 2212**

Name: _____

Store Purchased: _____

Address: _____

Date Purchased: _____

Product Name/No. _____

Parts List



You should have received the following items:



Upper Tube 1



Upper Tube 2



Bathtub and hose



2x support frames



Change Pad



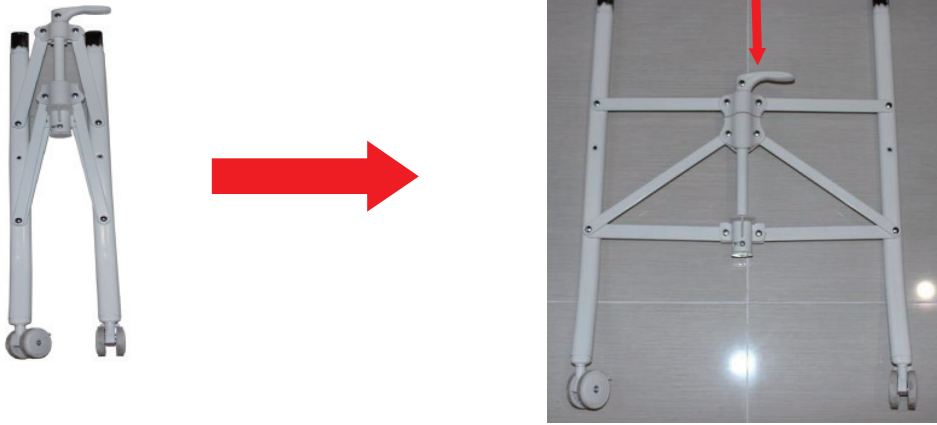
Storage Tray



4x Long Screw
2x Short Screws
1x Screw Driver

Assembly Instructions

Step 1. Open and spread the support frame and push down the folding lock. Make sure the folding lock is engaged. Repeat with the second support frame.



2. Step 2. Fix the storage tray onto the supporting frame using the long screws. Tighten with the screw driver.



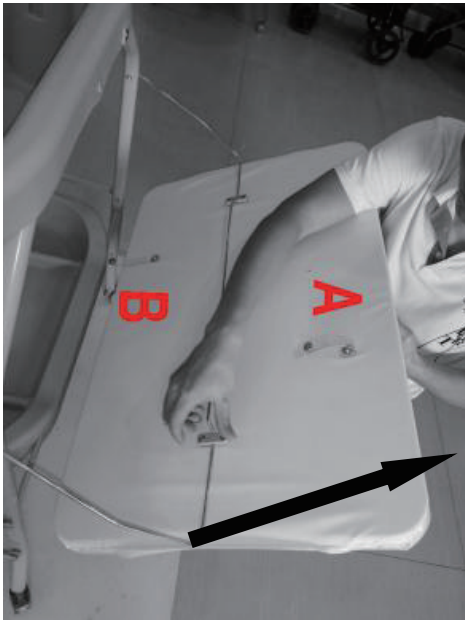
3. Step 3. Click on both the upper tubes.



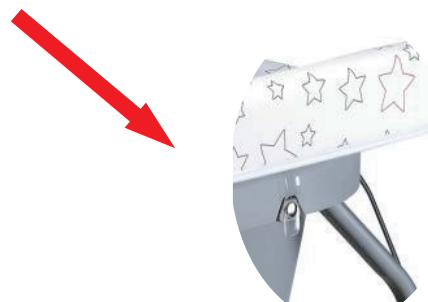
4. Step 4. Attaching the bath tub onto the frame and make sure the buttons on both sides are engaged as shown below.



5. Step 5. make sure the Letter A stick on the back of the changing pad is upward and the Letter B is downward and fix the changing pad on the upper tube 2 with the small screws.

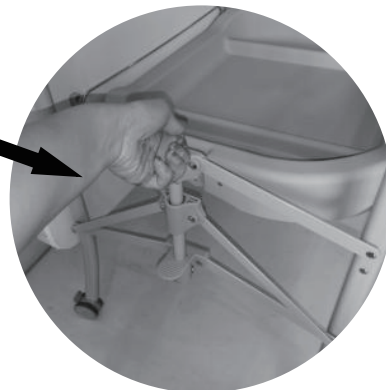
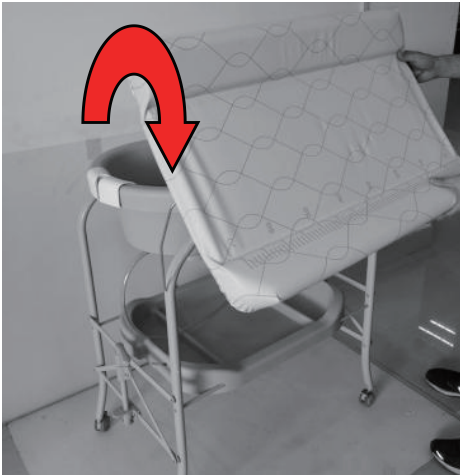


6. Step 6. Flip over the changing pad onto the bathtub and fix the buttons on both sides of the changing pad to the bath tub.



Folding

First flip over the changing pad to the side and take out the bath tub and loosen one side of the storage tray, then rotate the folding lock handle out and lift it up to release the lock (you can do it side by side or both sides together) then close the frame.



Contact Us

Head Office:

Love N Care Pty Ltd.
297-299 Canterbury Rd, Revesby

NSW 2212 Australia

Contact No: 02 9774 4655

Email: info@lovincare.au

Website: www.lovincare.au

loveⁿcare

Let's be friends!

 <http://www.facebook.com/lovincare1>

 http://twitter.com/love_ncare



100% AUSTRALIAN OWNED SINCE 1984