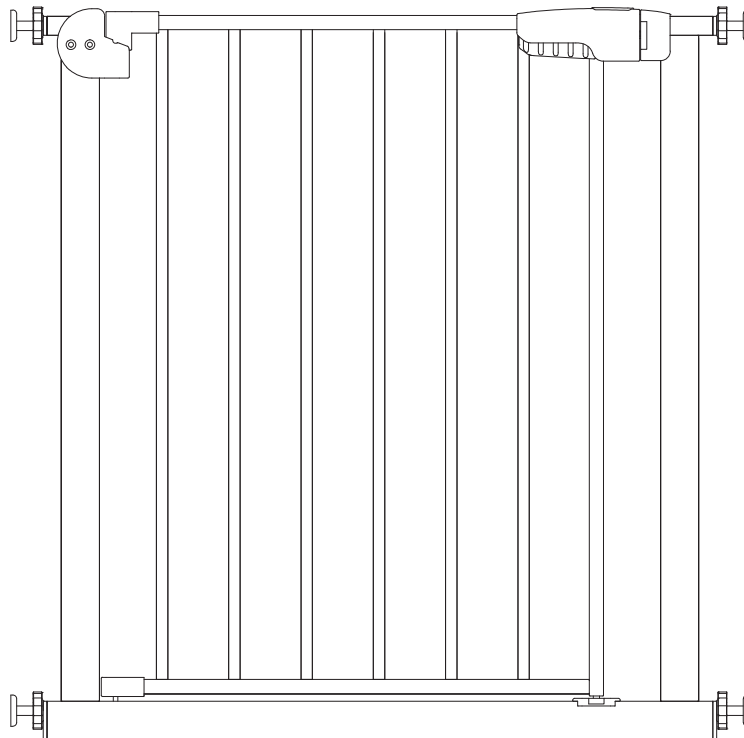




INSTRUCTIONS:
Safety gate
Pressure fit safety gate

**IMPORTANT! READ AND FOLLOW THESE INSTRUCTIONS CAREFULLY
AND KEEP FOR FUTURE REFERENCE.**

Read the entire Instruction before assembling and installing this product.
If you sell or give away this product, make sure you give this Instruction to the new owner.



Complies with: EN1930:2011



WARNING

WARNING - Read the instructions before installation as incorrect installation can be dangerous.

WARNING - Do not use the safety barrier if any components are damaged or missing.

WARNING - The safety barrier must not be fitted across windows.

WARNING - **Never use without wall cups.**

Screws **MUST** always be used to install wall cups.

This safety barrier is for domestic use only.

This safety barrier is suitable for use with children up to 24 months of age.

Not every child is the same. If your child of less than 24 months is able to pass through, climb over, crawl under or able to open or to dislodge the safety barrier, then the safety barrier can't be used to provide the assumed protection.

Never use with a child able to climb or dislodge/open gate.

The surfaces that the gate is to be fixed to must be suitable for the purpose and must be structurally sound.

If the barrier is to be used at the top of the stairs, it should not be positioned below top level.

If the safety barrier is used at the bottom of the stairs, it should be positioned at the front of the lowest tread possible.

This gate has a manual close system.

This gate is intended for indoor use and is not to be exposed to outdoor elements.

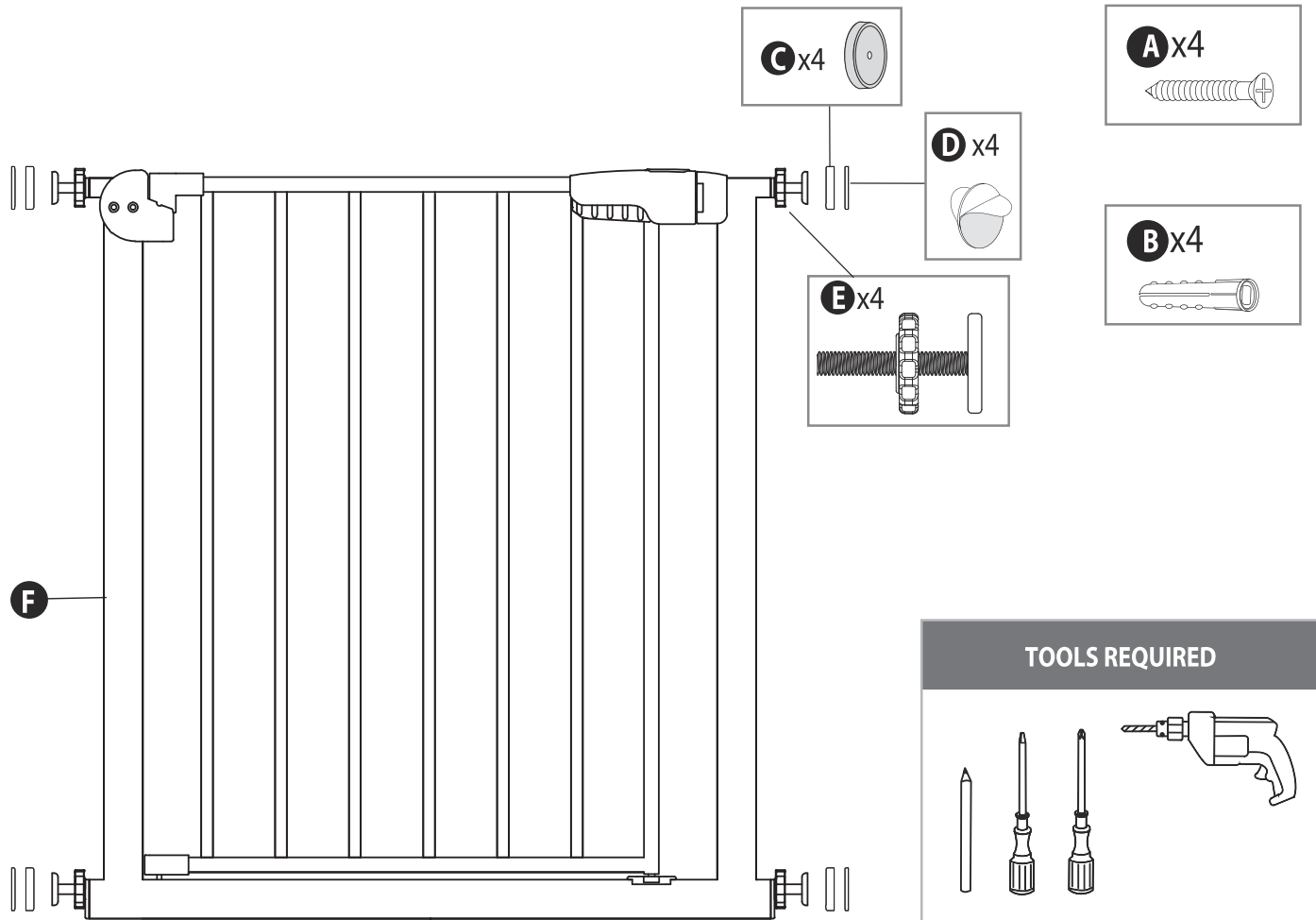
Install this gate away from heaters and other sources of heat.

This product does not replace proper adult supervision and will not necessarily prevent all accidents.

CAUTION:

With any pressure mounted gate, a construction bar is required across the base. Note, this bar can be a tripping hazard. If you choose to position a pressure mounted gate at the top of stairs, use extra caution to step over this bar to prevent trips and falls.

PARTS LIST



- A** Wood Screw x 4
- B** Wall Anchor x 4
- C** Mounting Cups x 4
- D** Double Sided Adhesive Tape x4
- E** Tension Knobs x 4
- F** Gate Panel

WARNING:

This package contains small parts and sharp points in an unassembled state.
Keep out of reach of children.
Adult assembly required.

INSTALLATION

1. Measure the width of the opening of where you intend to install the gate.



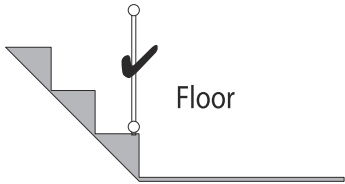
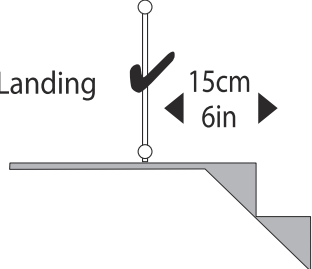
For wider openings select the appropriate Gate Extension(s), sold separately.



Ensure the surface you mount the gate is structurally sound such as solid timber, brick or masonry. For plaster / gyprock surface, locate the timber beam or stud behind and mount in this location (mounting on plaster / gyprock alone is not strong enough and not safe).

DO NOT MOUNT TO GLASS.

For use on stairs.

|  Bottom of stairs |  Top of stairs |
|---|---|
|  <p>Floor</p> <p>If the safety barrier is used at the bottom of the stairs, it should be positioned at the front of the lowest tread possible.</p> |  <p>Landing</p> <p>15cm 6in</p> <p>If the safety barrier is used at the top of stairs, it should not be positioned below the top level. At the top of landing, position the gate 15cm (6in) away from the top step.</p> |

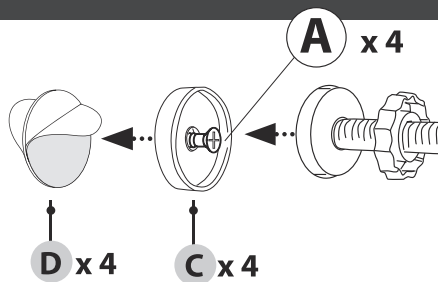
CAUTION: With any pressure mounted gate, a construction bar is required across the base.

Note, this bar can be a tripping hazard. If you choose to position a pressure mounted gate at the top of stairs, use extra caution to step over this bar to prevent trips and falls.



WARNING - Never use without wall cups.

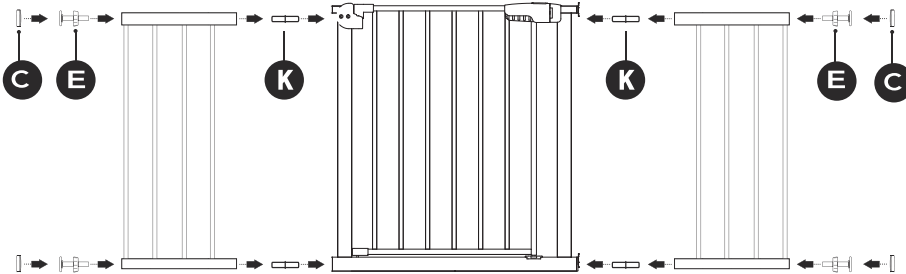
Screws **MUST** always be used to install wall cups.



ADDING EXTENSION FRAMES

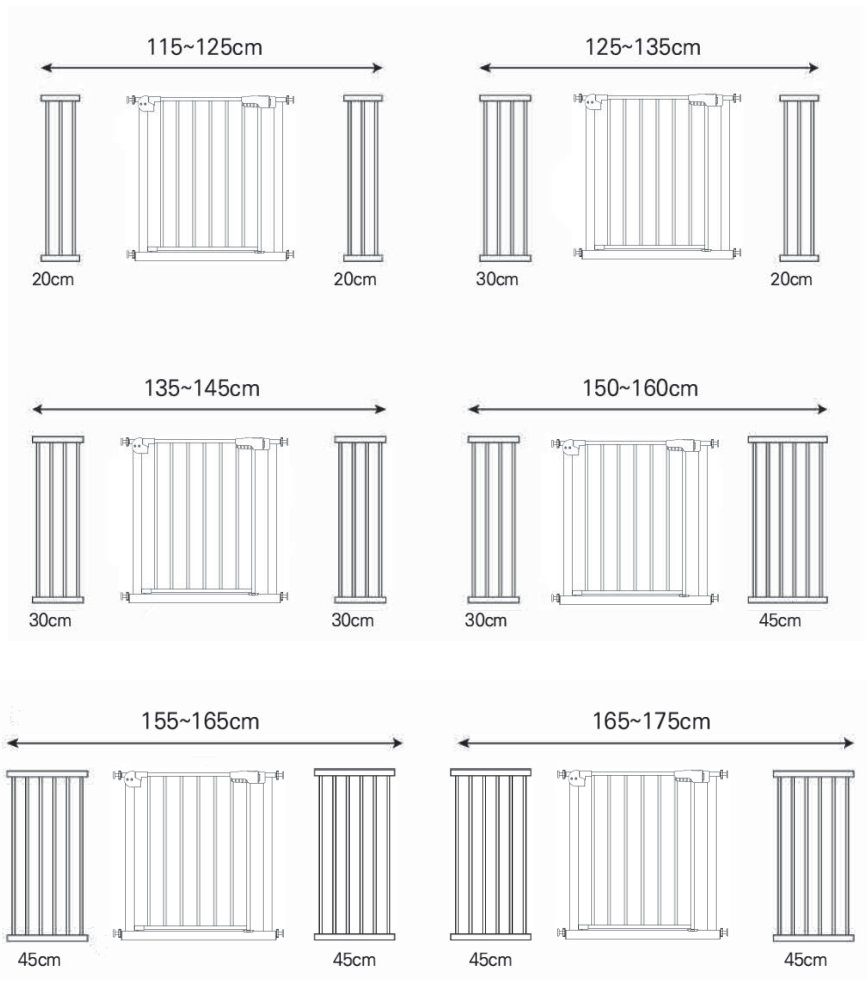
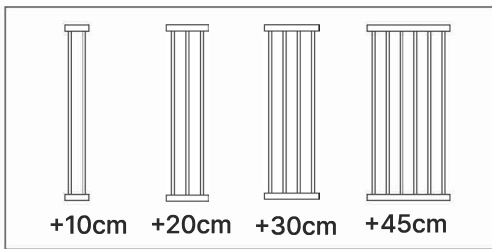
2. To use with Gate Extensions (sold separately).

- Insert Extension pins (**K**) into the holes on the outside of the Gate Frame.
- Next, slip Extension Frames over the Pins.
- Finally, slide in the Tension Knobs and Bolts with Rubber Pads (**E**).



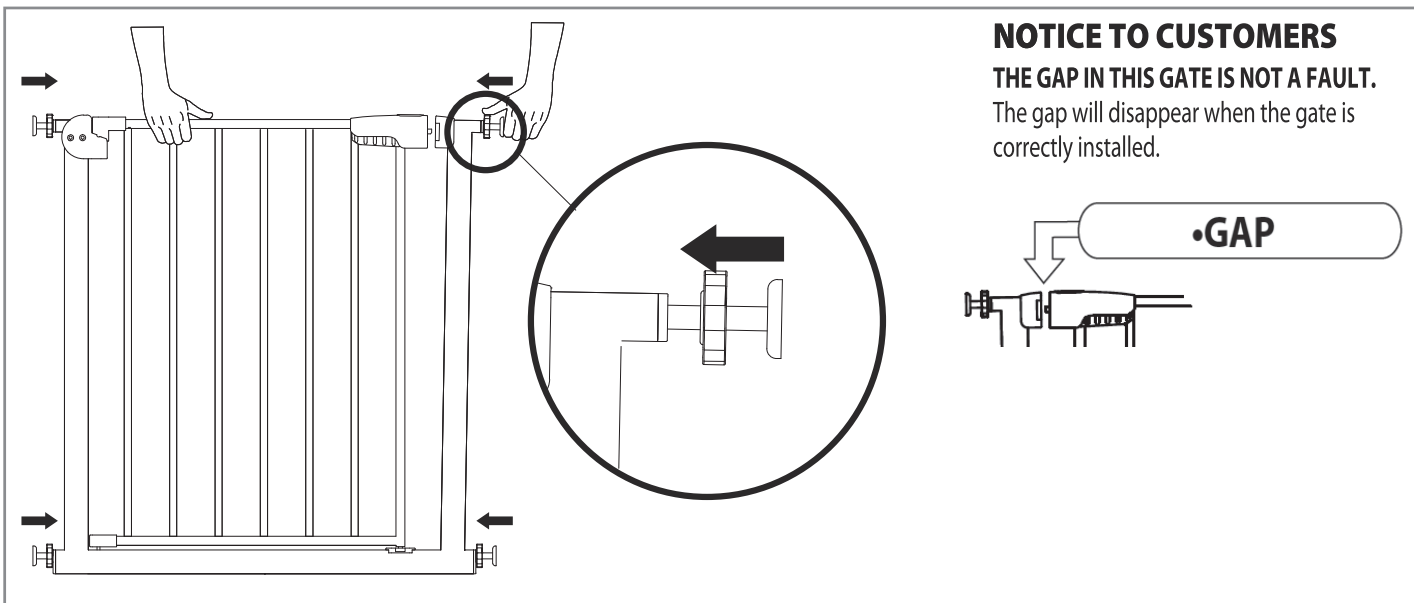
A maximum of 2 Gate Extensions can be used, 1 on each side of gate.
Do NOT install 2 Gate Extensions on the same side of gate.

Examples are shown below
Gate Extensions
(sold separately)

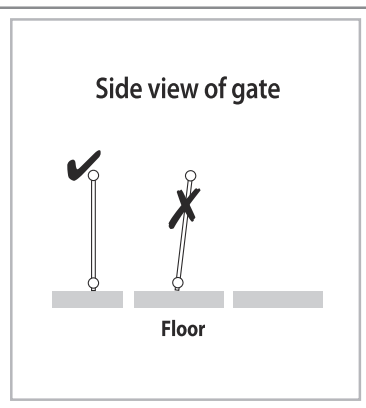
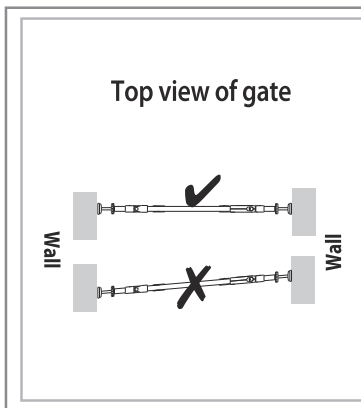
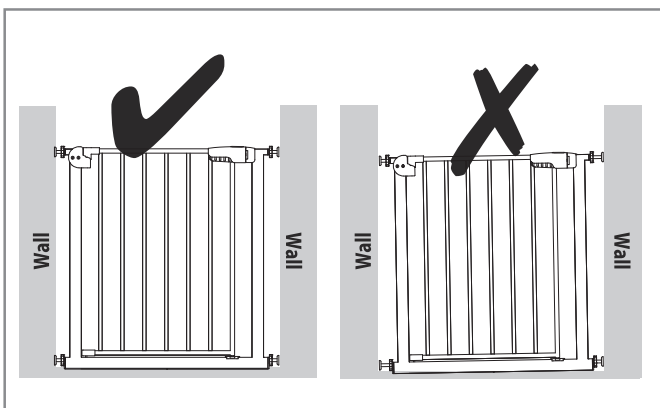
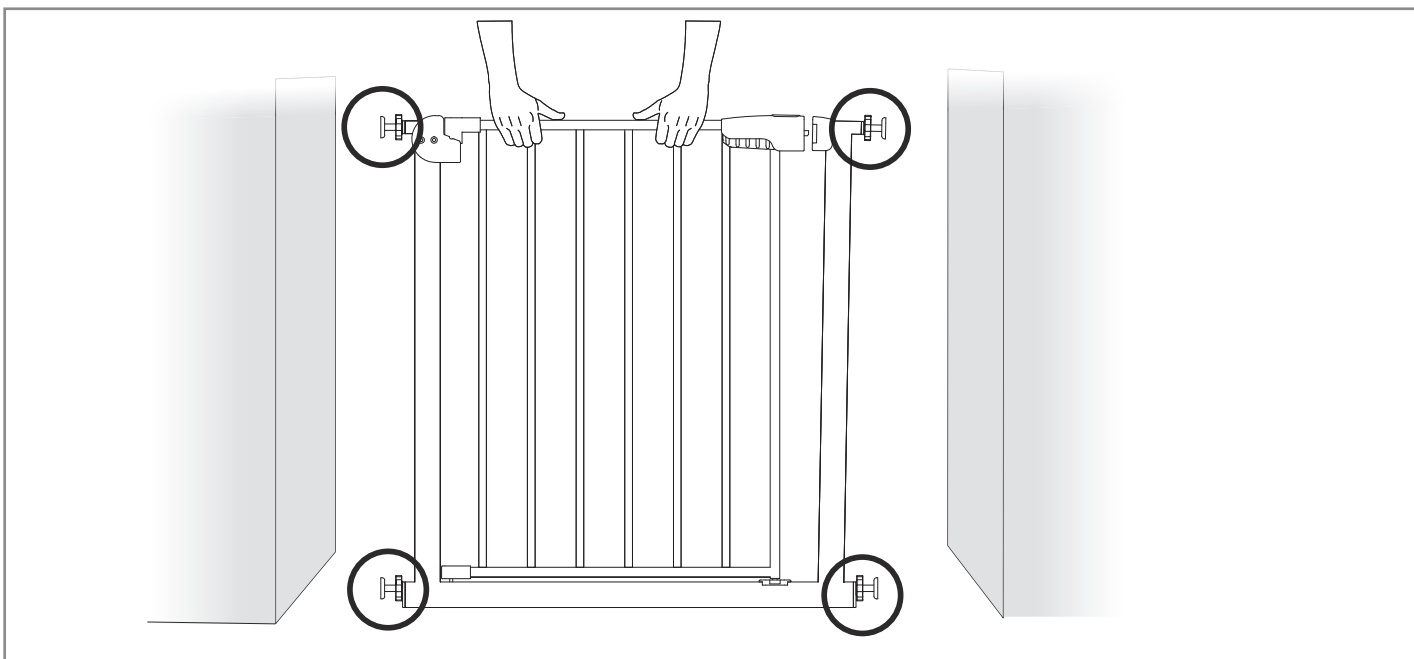


| | |
|-------------|-----------|
| 75 - 85cm | - |
| 85 - 95cm | 10cm |
| 95 - 105cm | 20cm |
| 105 - 115cm | 30cm |
| 110 - 120cm | 45cm |
| 115 - 125cm | 20cm+20cm |
| 120 - 130cm | 45cm |
| 125 - 135cm | 20cm+30cm |
| 130 - 140cm | 45cm+10cm |
| 135 - 145cm | 30cm+30cm |
| 140 - 150cm | 45cm+20cm |
| 150 - 160cm | 45cm+30cm |
| 155 - 165cm | 45cm+45cm |
| 165 - 175cm | 45cm+45cm |

3. Insert the Bolts with Rubber Pads and Tension Knobs into the Gate Frame.



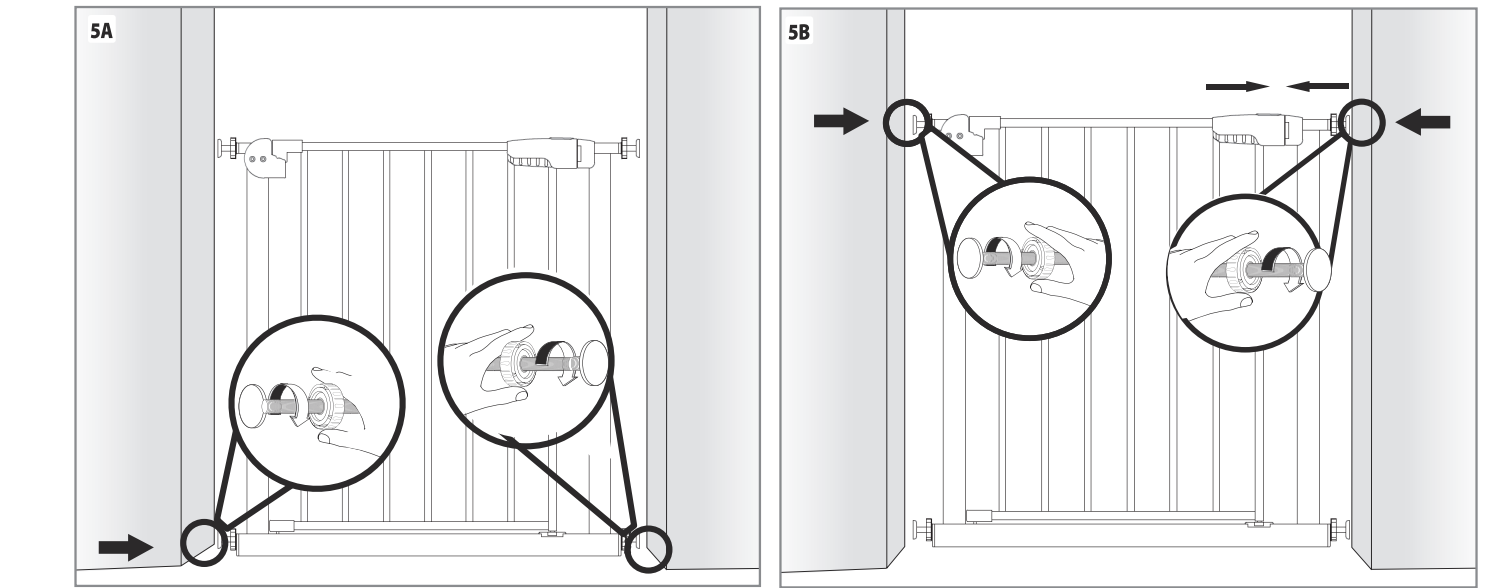
4. Place the gate in the opening so that the bottom of the Gate Frame is completely flat on the floor, and it is perpendicular to the opening and the floor.



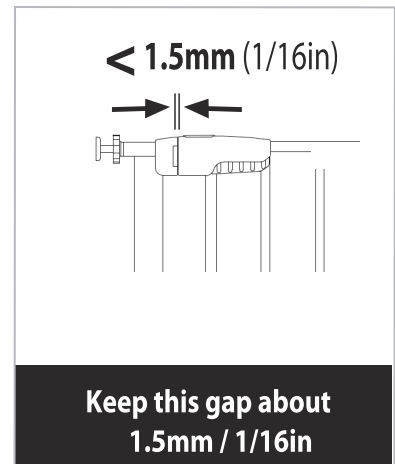
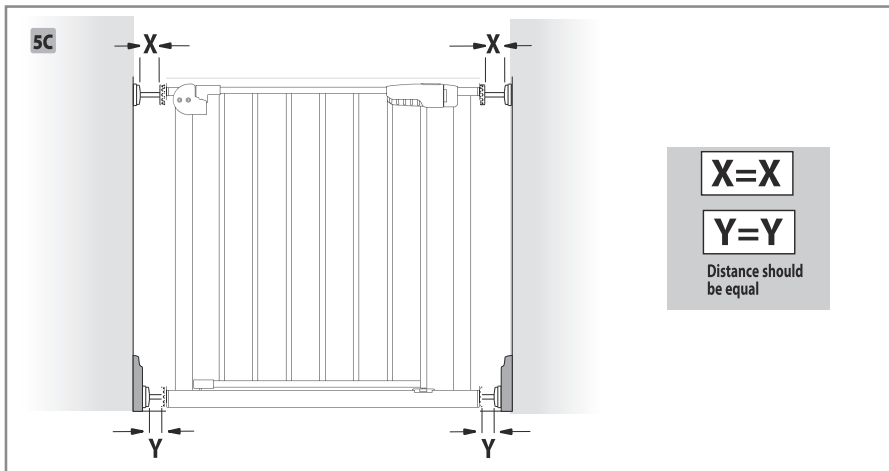
5. Tighten both of the lower Tension Knobs (E) by turning them at the same time.

NOTE: Make sure the bottom of the gate frame remains completely flat on the floor.

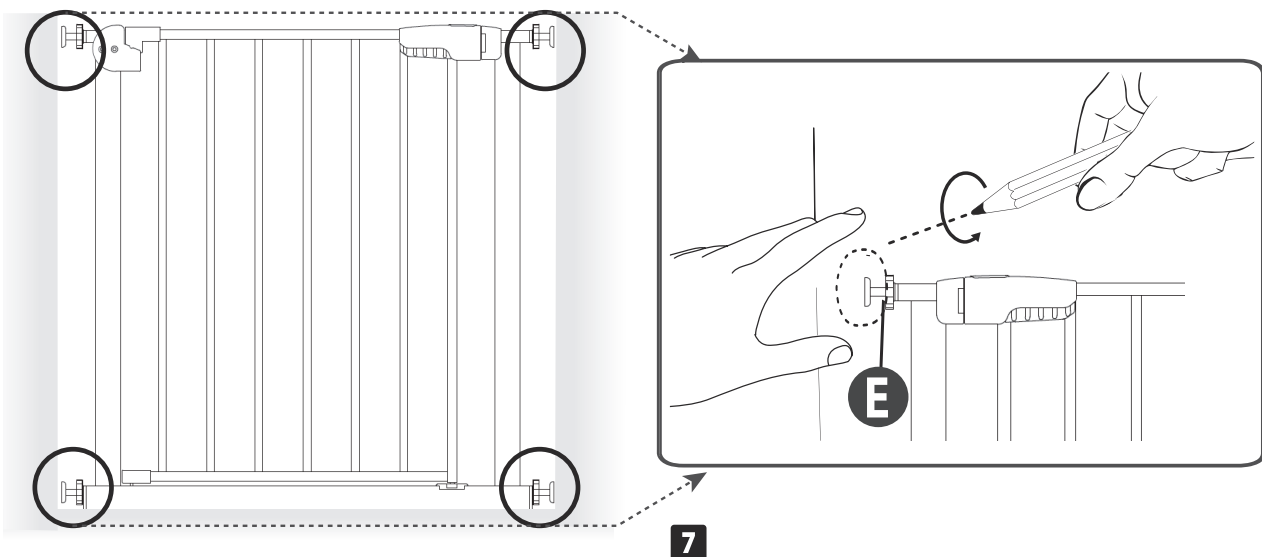
Next, tighten both of the upper Tension Knobs (E) by turning them at the same time.



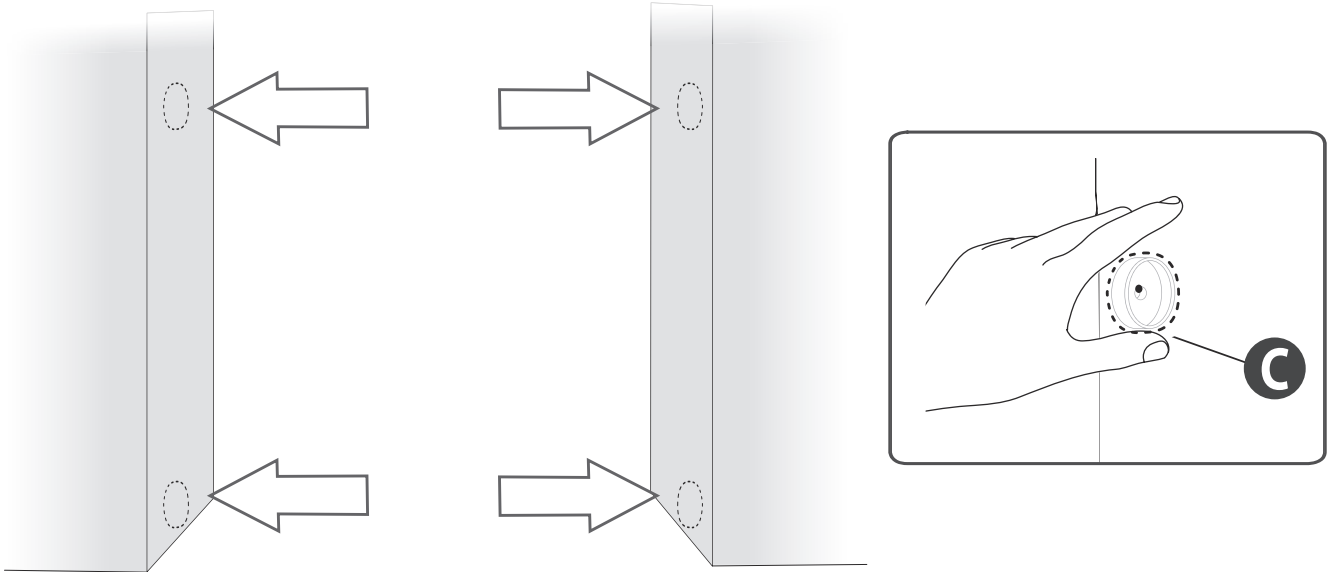
When correctly tightened, the distances between Tension Knobs and Rubber Pads should be equal.



6. Use a pencil to mark around the end of Bolts with Rubber Pads .



**7. Loosen the Tension Knobs and remove gate.
Line up Wall cups with marks on wall.**



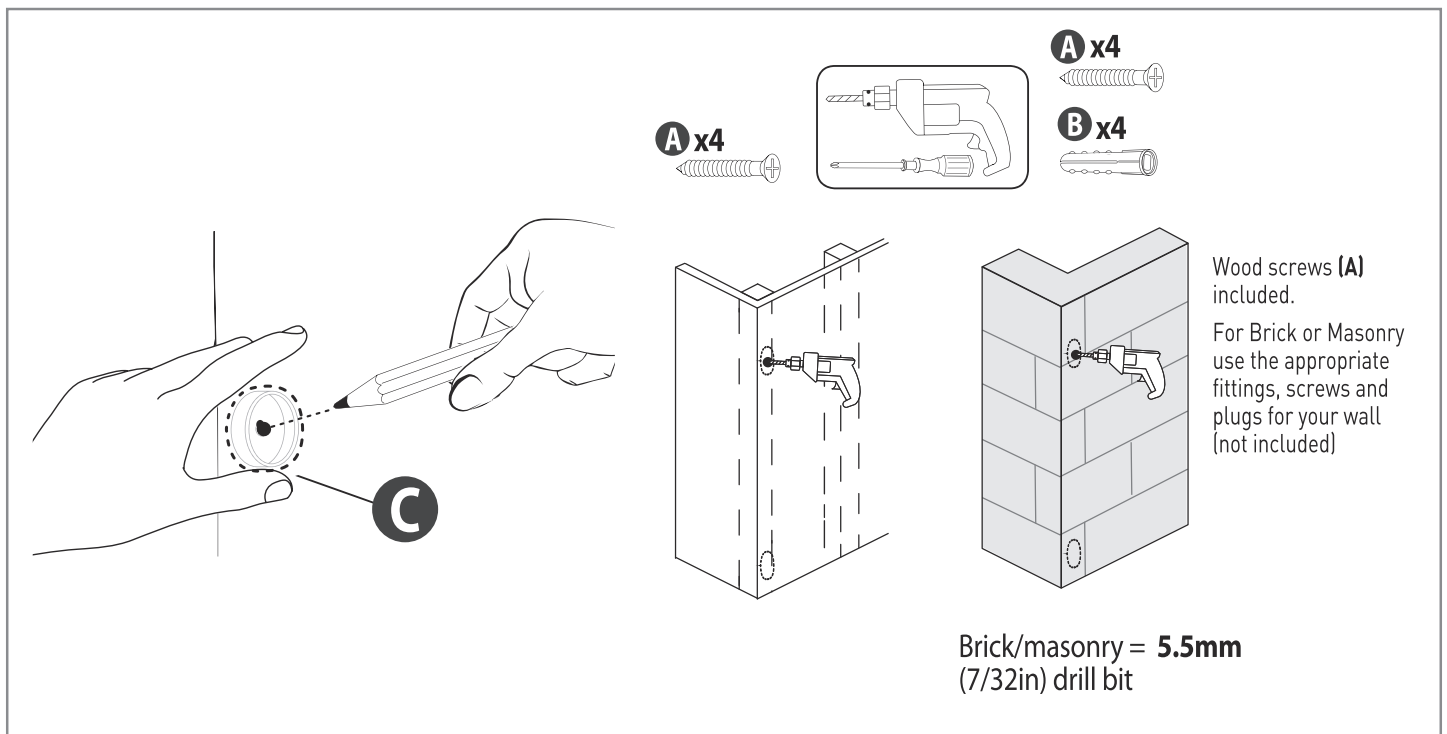
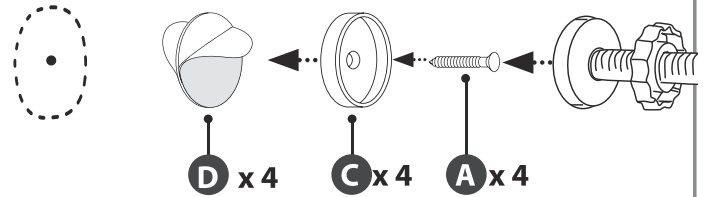
8. Fasten the Wall Cups to the wall with double sided tape and screws.

NOTE: Ensure that they are aligned vertically, so that the Wall Cups at the top are directly above the ones at the bottom.

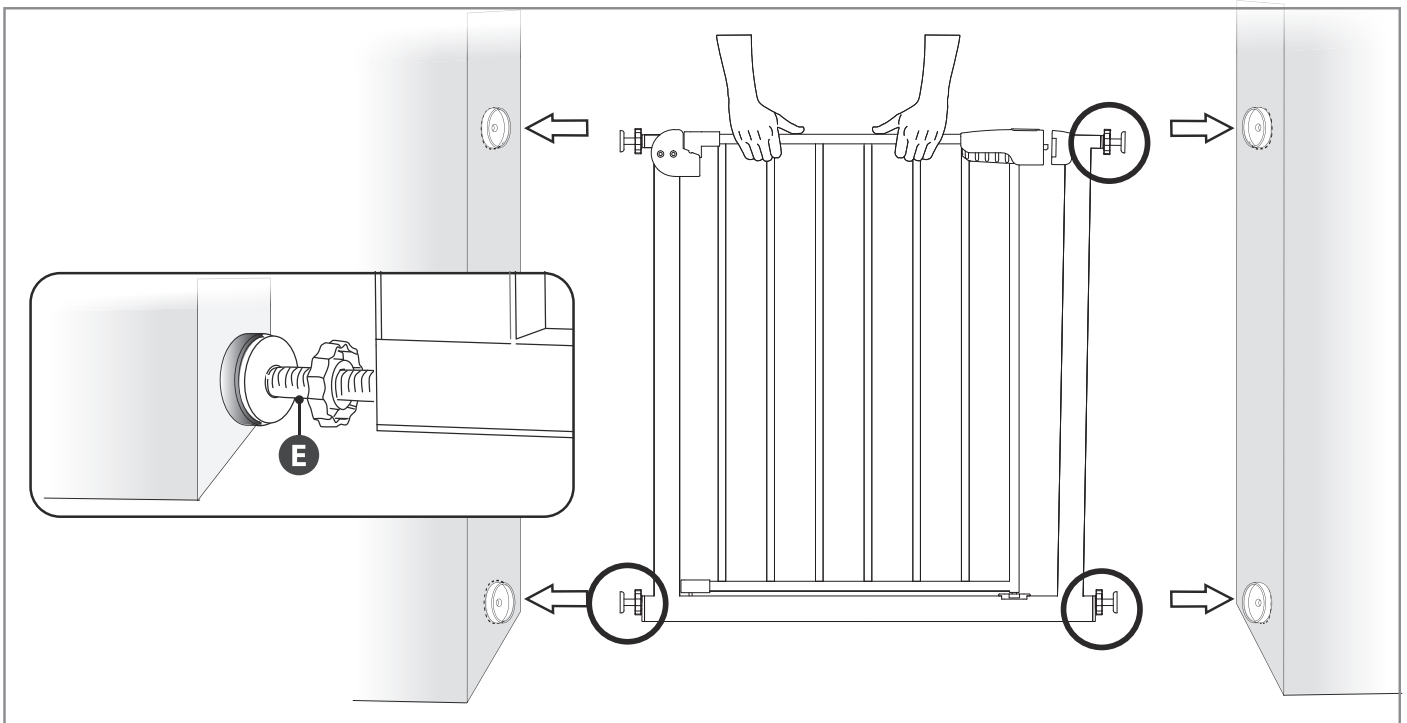


WARNING - Never use without wall cups.

Screws **MUST** always be used to install wall cups.



9. Reinstall gate inserting bolts with rubber pads into Wall Cups (C).

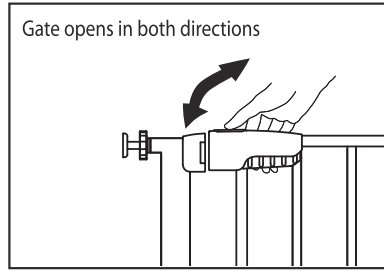
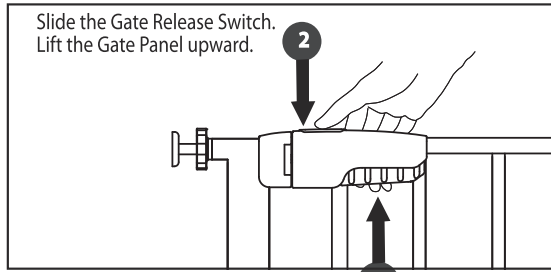


10 Tighten both of the lower Tension Knobs by turning them at the same time.

NOTE: make sure that the bottom of the Gate Frame remains completely flat on the floor. Ensure gate is securely fastened at both top and bottom.

OPERATION

1. To open the gate:



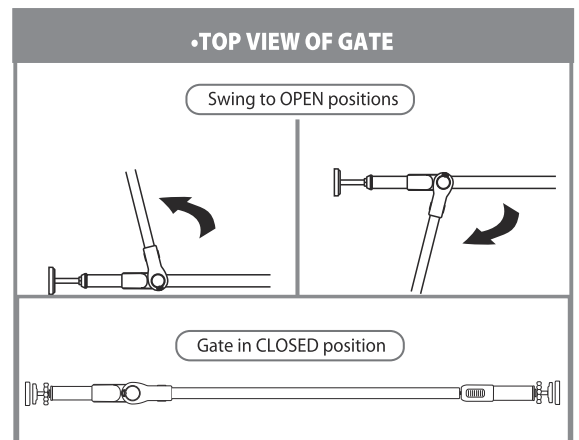
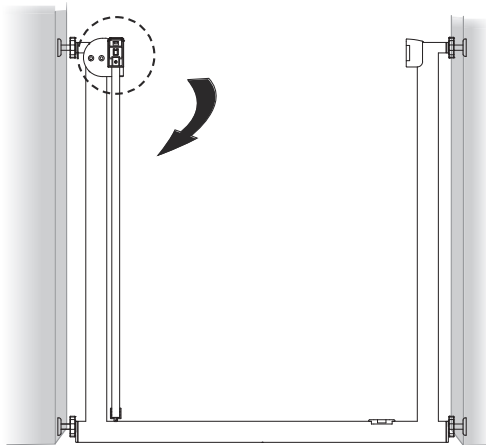
2. To close the gate:

This gate has manual close system. Push gate closed until it locks securely.

SMART STAY-OPEN SYSTEM

To engage the Smart Stay Open System swing gate in chosen direction to its maximum opening. Gate will stay open. Close as required.

CAUTION: Keep gate closed when children are present.



MAINTENANCE & CARE

- Gate must be fitted according to instructions, to ensure it works correctly.
- Regularly check tension knobs and rubber pads to make sure the gate is securely in place. Adjust as required.
- To clean, wipe surface with a damp cloth or sponge using mild detergent and warm water. Never clean with abrasive, ammonia based bleach based or spirit type cleaners.

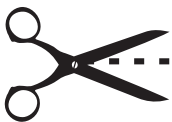
Warranty Against Defects

All Love N Care products are guaranteed for twelve months from the date of purchase. Our goods come with guarantees that cannot be excluded under the Australian Consumer Law.

You are entitled to a replacement or refund for a major failure and for compensation for any other reasonably foreseeable loss or damage. You are also entitled to have the goods repaired or replaced if the goods fail to be of acceptable quality and the failure does not amount to a major failure. This covers against faults which develop through faulty materials and workmanship.

Misuse, accidental damages, normal wear and tear or neglect are not covered. If a fault becomes apparent, please return the item to the store of purchase with your receipt. You must inform the store what the defect is. We will then arrange for its repair or it will be assessed for replacement as expediently as possible. The benefits of this warranty are in addition to other right and remedies under the law in relation to the goods or services to which this warranty relates. If you are unable to return the item to the store of purchase, you can contact Love N Care on free call 1300 732 599.

Where you send the product directly to the manufacturer then you may be liable for the costs of transportation to and from Love N Care. Love N Care will meet the reasonable expenses incurred by a consumer in making a warranty claim. You can claim expenses incurred in making a claim by contacting our customer service team on 1300 732 599 or by email at info@lovenecare.com.au



12 MONTH WARRANTY

Please fill in this section to validate your warranty and send to: **297 Canterbury Rd Revesby NSW 2212**

Name: _____ Store Purchased: _____

Address: _____ Date Purchased: _____

Product Name/No. _____

Contact Us

Head Office:

Love N Care Pty Ltd.
297-299 Canterbury Rd, Revesby

NSW 2212 Australia

Contact No: 02 9774 4655

Email: info@lovencare.au

Website: www.lovencare.au

loveⁿcare

Let's be friends!

 <http://www.facebook.com/lovencare1>

 http://twitter.com/love_ncare

 100% AUSTRALIAN OWNED SINCE 1984