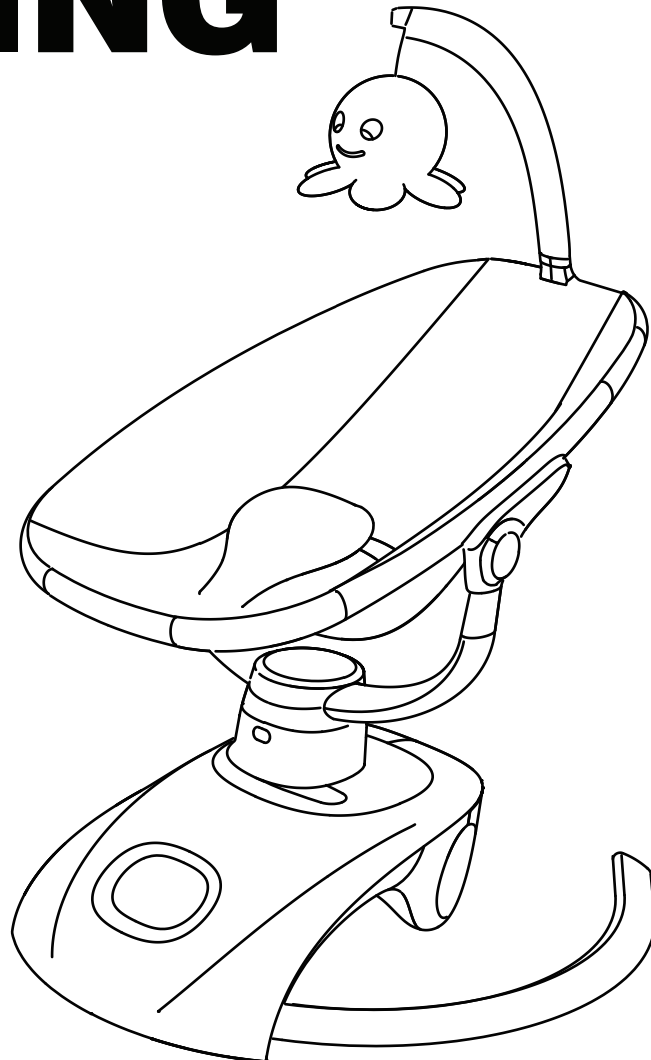


lovehncare™

BP 951

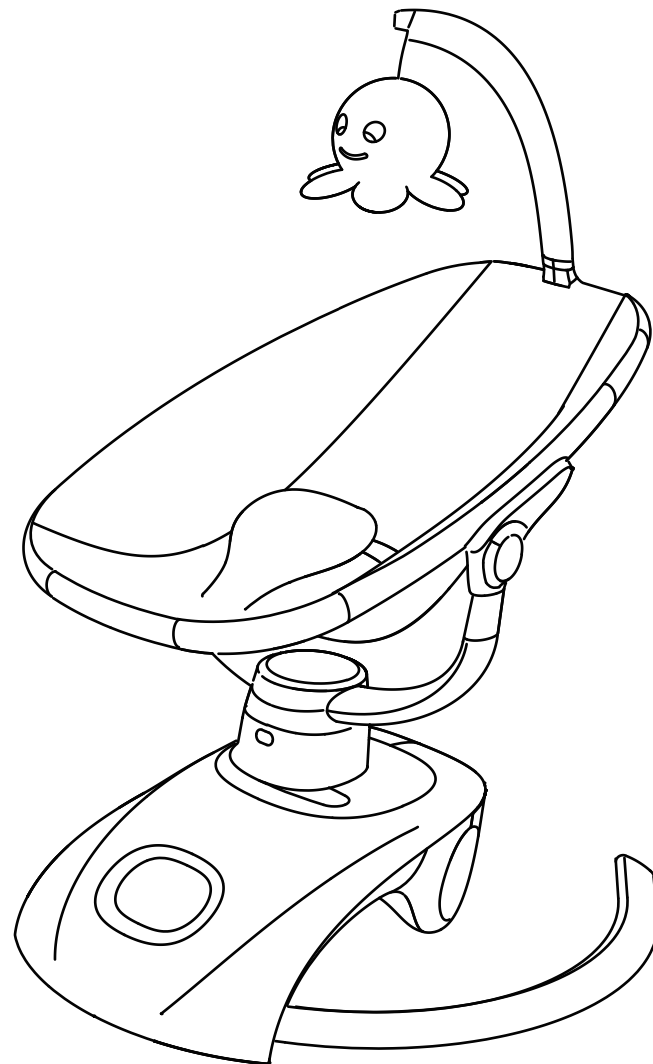
MOVEh SWING



**IMPORTANT! READ AND FOLLOW THESE INSTRUCTIONS CAREFULLY
AND KEEP FOR FUTURE REFERENCE**

loveⁿcare™

Congratulations on your purchase of the Move N Swing. This product has been designed and developed with safety, comfort and functionality in mind. Please take the time to read this manual carefully before using this product and keep it in a safe place for future reference



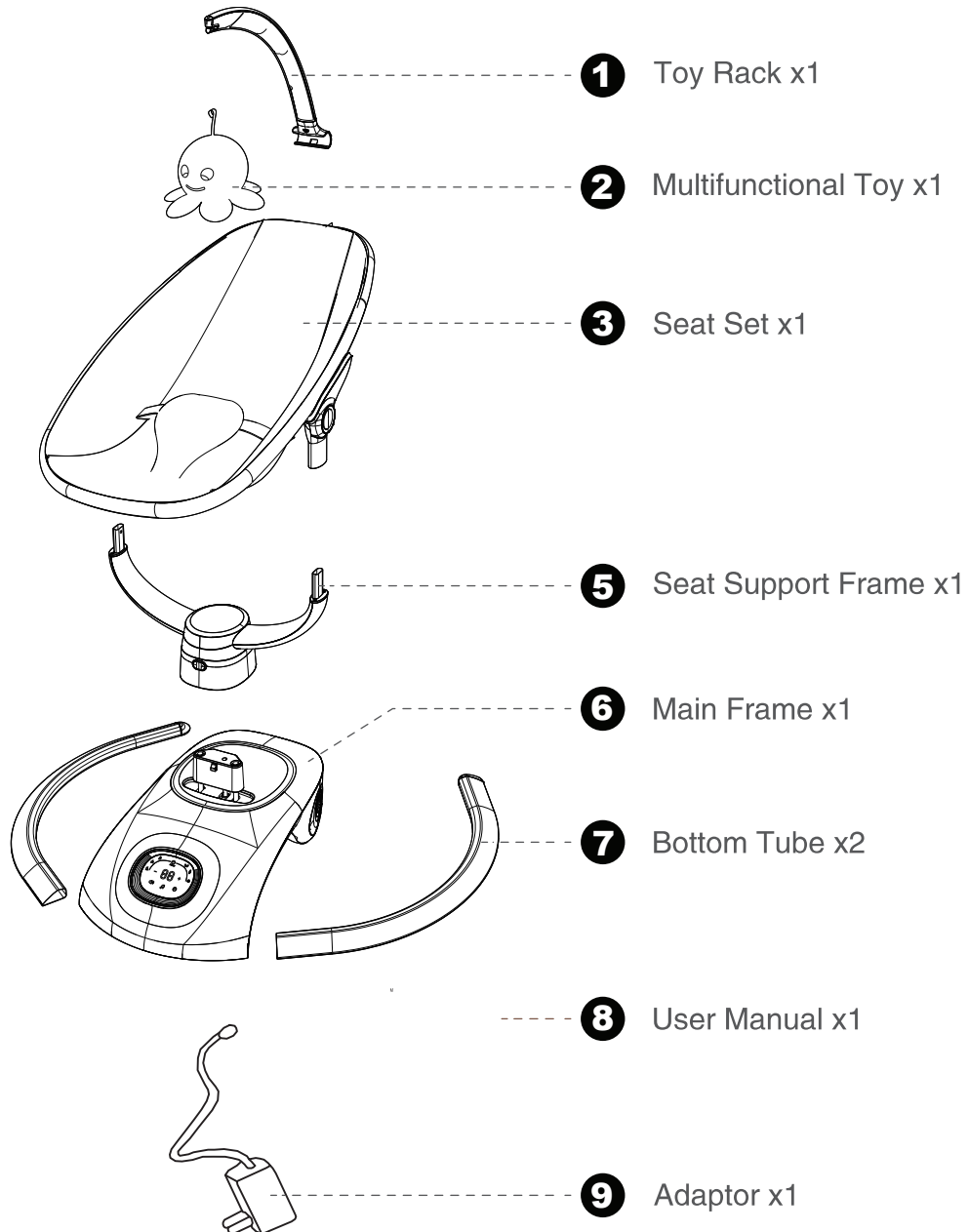


RETAIN FOR FUTURE REFERENCE.

READ CAREFULLY BEFORE ASSEMBLING AND USING THE PRODUCT

- **CAUTION!** NEVER LEAVE THE CHILD UNATTENDED!
- **CAUTION!** STOP USING THE PRODUCT ONCE YOUR CHILD IS ABLE TO SIT UNAIDED OR WEIGHS MORE THAN 9 KG!
- **CAUTION!** THIS PRODUCT IS NOT INTENDED FOR LONG PERIODS OF USE AND SLEEP.
- **CAUTION!** NEVER LEAVE THIS PRODUCT ON ELEVATED, SLOPED OR SOFT SURFACES!
- **CAUTION!** ALWAYS USE THE SAFETY HARNESS!
- **CAUTION!** TO AVOID INJURY, MAKE SURE THAT THE CHILD IS AT SAFE DISTANCE WHILE MAKING ADJUSTMENTS, UNFOLDING, FOLDING AND STORING THE PRODUCT!
- **CAUTION!** DO NOT MOVE THE PRODUCT OR LIFT THE PRODUCT WHILE THERE IS A CHILD IN IT!
- **CAUTION!** DO NOT ALLOW CHILDREN PLAY WITH THIS PRODUCT!
- **CAUTION!** SET THE SOUND VOLUME LOW TO AVOID DAMAGE TO THE CHILD'S HEARING!
- **CAUTION!** KEEP AWAY FROM FIRE!
- Adult assembly required!
- Use for babies aged around up to 6 months with maximum weight 9 kg.
- Do not use the product for more than one child!
- The product is not a substitute for a cot or bed. If the child needs sleep, you must put it in a suitable bed or cot.
- Do not use the product if there are missing or damaged parts!
- Do not use spare parts or other components, which are not supplied by Love N Care. Love N Care revokes all responsibility in case you have used spare parts different from the approved type or from the recommended by Love N Care.
- Do not make changes or modifications to the structure! If necessary, contact the retailer or and authorized service for advice and repair.
- Do not tie strings or cords to the product to avoid risk of suffocation!
- Use the product only for its purpose.
- All settings regarding the power supply – turning on/off, replacing or charging of batteries to be done only by adult!
- Use only the AC/DC adaptor supplied by the producer.
- Regularly check the good working order of the AC/DC adaptor. Discontinue usage in case of damage.
- Do not allow presence of children under 3 years before assembly is complete to avoid their access to small or disassembled parts!
- Keep the nylon package away from children to avoid risk of suffocation!
- When the product is connected to a music player, ensure that the volume of the music player is set to a low value.
- Transformers used with the product are to be regularly examined for damage to the cord, plug, enclosure and other parts, and in the event of such damage, they shall not be used;
- The product shall only be used with the recommended transformer.
- When the product is connected to a music player, ensure that the volume of the music player is set to a low value.

PARTS LIST



ASSEMBLY

Bottom tubes installation method

Insert the two bottom tubes into the main frame follow the direction of the arrows (figure 1-1). Press the spring plate and then insert it. Once the spring pops out the hole it will complete the tube insertions (Figure 1-2)

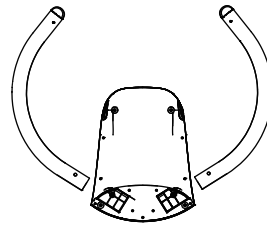


Figure 1-1

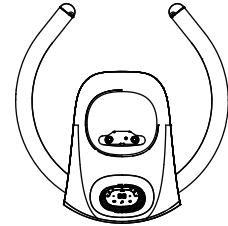


Figure 1-2

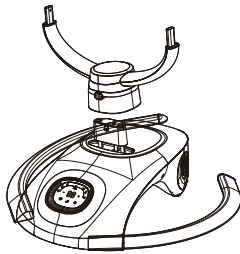


Figure 2-1

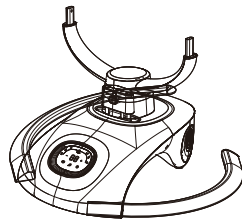


Figure 2-2

Seat Support Frame installation method

Insert the seat support frame on the triangle column above the main frame (Figure 2-1) until you hear the "click" sound of the key, the installation is in place. If you don't hear the sound of a key popping, you can force it down slightly until the key pops up. (Figure 2-2)

Seat Set installation method

Place the installed main frame and seat support frame on the ground, and gently insert the iron pipe on the seat set into the support frame (Figure 3-1) until the locked spring plate pops up and locks (figure 3-2)



Figure 3-1

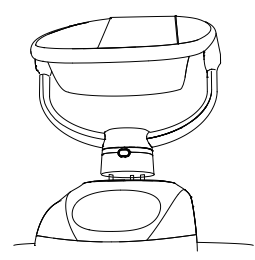


Figure 3-2

Please Pay attention to the direction of the seat before installation.

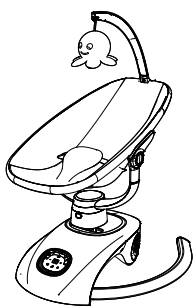


Figure 4

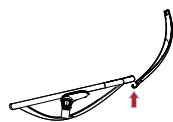


Figure 4-1

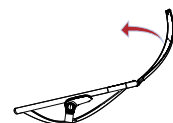


Figure 4-2

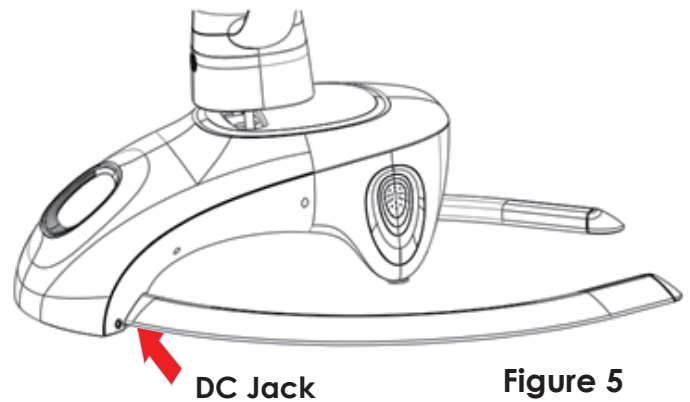
Toy Rack Installation Method

Buckle the toy rack of the product on the seat set from bottom to top (Figure 4). Note that the toy rack slot is aimed at the snap on the seat, gently press the opening of the toy rack up towards the seat tube (Figure 4-1) and rotate the toy rack forward slightly, that the toy rack buckled (figure 4-2). Finally hang the plush toys and installation is complete.

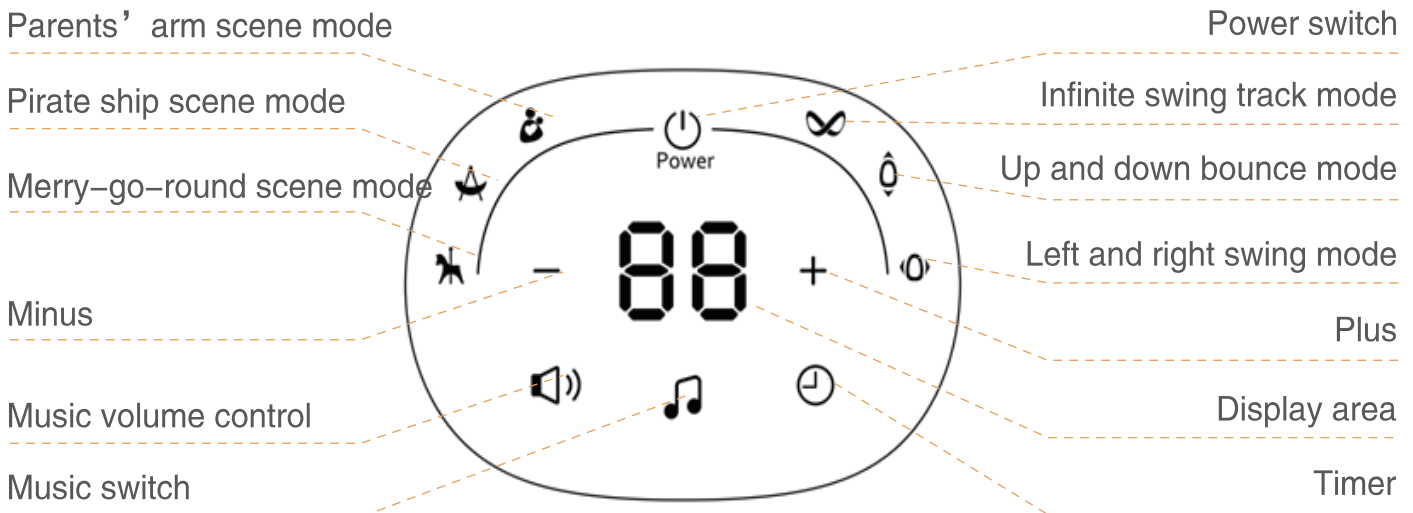
INSTRUCTIONS

Power Supply Section

It is recommended to use the 12V-2A adaptor power which comes standard with this swing. Plug the adaptor equipped with the product into the 110V output socket of the power socket, then plug the other end of the adaptor into the DC jack on the right of the main frame (figure 5). It is recommended to use indoors away from damp places.



Touch panel Button function



Power Switch

Press the power button to turn on/turn off: when the swing is working, pressing this button and all functions stop working, including music and timer.

Timing function button

This button is combined with the (+) and minus (-) keys to control the timing adjustment of the swing. The timer is up to 45 minutes. Increase 10 minutes for each press. The cycle is 10min, 20min, 30min and 45min in a cycle. There are corresponding indicator lights.

Music Switch

Press this button to turn on/turn off music. You can switch songs through the (+) and minus (-) keys under the setting situation of playing music. You can play in order, 13 songs in loop until the end of the set countdown. The music playback has the exit memory function after disconnecting the power supply starting from track 1.

Music Volume Control Button

When the music function is turned on, the volume is medium. Press the plus button (+) to increase the volume, up to 5 levels, press the minus button (-) to decrease the volume, the minimum is level 1. The volume will not automatically cycle.

INSTRUCTIONS

Swing mode switch

Parents arm scene mode

This mode is intelligent swing mode, and the swing speed cannot be adjusted. It is equipped with specific music.

Pirate Ship Mode

This mode is intelligent swing mode, and the swing speed cannot be adjusted. In this mode, it is equipped with specific music and recommended to adjust the seat to left or right 90 degrees for better experience.

Merry-Go-Round Mode

This mode is intelligent swing mode. The swing speed will automatically change from slow-fast-slow, and the speed cannot be adjusted. In this mode, it is equipped with specific music.

Infinite Swing Track Mode

This mode consists of the up and down swing mode and the left and right swing mode. There are 5 speeds that can be adjusted, and you can also switch the music.

Up and down Mode

This mode consists of up and down rocking motion. There are 5 speeds that can be adjusted, and you can also switch the music.

Left and right Swing Mode

This mode consists of left and right rocking motion. There are 5 speeds that can be adjusted, and you can also switch the music.

When the product is in the track mode and needs to switch the scene mode, the blinking state of the symbol means that the mode switching is in progress. When the mode button is pressed, the flashing frequency is 1 second within 2 seconds, indicating that the mode is ready to switch, and then the flashing frequency changes to 0.4 seconds, indicating that switching is in progress, and the indicator light is always on after the switching is completed. The switching time between different modes is different, the longest is 9 seconds (directly enter the mode after the initial startup). After the switching is completed, the digital display area will form a marquee, and the plus(+) and minus(-) buttons are off, which means that this mode is an intelligent mode and cannot be manually set.

When the swing and music are on state, if there is no operation for a long time, the product will automatically stop after 45 minutes.

Press and hold the volume adjustment key and the music adjustment key at the same time to turn off the ambient light, and then press and hold at the same time to turn on the ambient light.

Bluetooth

Power on the cradle, turn on the bluetooth function of the phone, and the phone will automatically match the device and select bluetooth name (by-baby) corresponding to the host for connection. You can select the mobile phone song and the song volume according to the actual situation.

INSTRUCTIONS

Seat Angle Adjustment

There are 3 angle can be adjusted for this seat. Press the backrest adjustment button on both sides of the seat with both hands at the same time to adjust the angle, as shown the arrow (Figure 6). Remember that the backrest cannot be adjusted when the child is on the swing, otherwise it may cause unexpected injury to the baby.

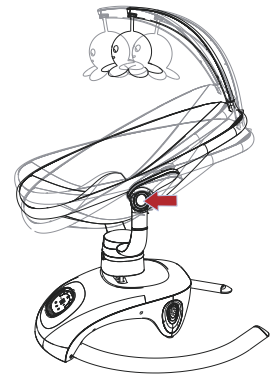


Figure 6

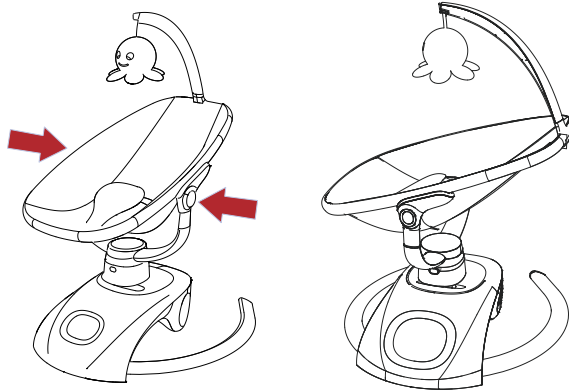


Figure 7

Figure 7-1

Seat Rotation

Hold the seat indicated by the arrow with both hands (Figure 7) to rotate, only 90 degrees to the left or right (Figure 7-1), the seat cannot be rotated 360 degrees, otherwise the product may be damaged.

Product Disassembly Instructions

Remove the seat

Press the spring plate at the point indicated by the arrow (Figure 8), and then pull up the seat on the left and right sides respectively, the seat can be removed

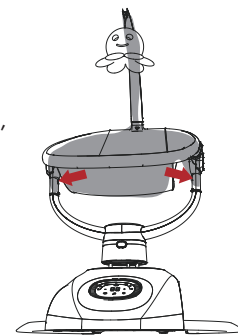


Figure 8

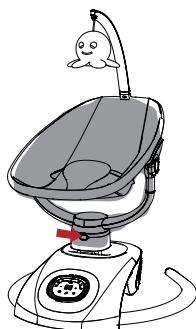


Figure 9

Remove the seat support frame

Press the button and lift the seat support frame with both hands to disassemble (Figure 9).

Remove the bottom Tube

After the seat and seat support frame are disassembled, put the main frame upside down, press the spring plate and pull out the bottom tube (Figure 10).

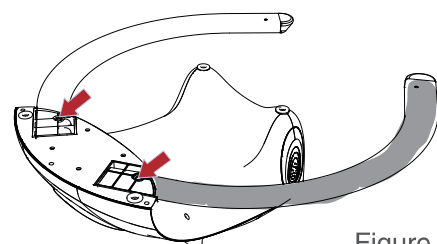


Figure 10

FCC Statement / CAN ICES-3 (B) / NMB-3(B)

This device complies with Part 15 of the FCC rules. Operation is subject to the following two conditions:

1. this device may not cause harmful interference, and
2. this device must accept any interference received, including interference that may cause undesired operation.

Changes or modifications to this unit not expressly approved by the party responsible for compliance could void the user's authority to operate the equipment.

Note:

This equipment has been tested and found to comply with the limits for a Class B digital device, pursuant to Part 15 of the FCC Rules. These limits are designed to provide reasonable protection against harmful interference in a residential installation. This equipment generates, uses and can radiate radio frequency energy and, if not installed and used in accordance with the instructions, may cause harmful interference to radio communications. However, there is no guarantee that interference will not occur in a particular installation. If this equipment does cause harmful interference to radio or television reception, which can be determined by turning the equipment off and on, the user is encouraged to try to correct the interference by one or more of the following measures:

- Reorient or relocate the receiving antenna.
- Increase the separation between the equipment and receiver.
- Connect the equipment into an outlet on a circuit different from that to which the receiver is connected.
- Consult the dealer or an experienced radio/TV technician for help.

Attentions

After connecting the power, you can press the music button to open the music function alone without turning on the swing function.

The motor has protection mechanism:

When the product in a swing state is blocked by an external force, the program will detect the swing of product is blocked and automatically enter the protection mechanism to protect the key components from being damaged. At this time, all functions will stop. Just turn off the power supply and restart to work normally.

Mode Characteristics:

Parents' arm scene mode, the pirate ship scene mode and the Merry-go-round scene mode only have fixed swing mode. the swing speed cannot be adjusted. Among them, the Parents' arm mode and the pirate mode need to rotate the seat 90° to use.

Usage of safety belt:

First unfasten the safety belt and place it in the suitable position. Then place baby in the suitable position. Buckle the seat belt and the waist belt together; Seat belt position must be installed correctly to ensure baby's safety.

Cleaning & Maintenance

Seat pad – Remove from frame. Machine wash with cold water, gentle cycle. No bleach. Tumble dry, using low heat.

Seat software – Wipe clean with a damp cloth and mild soap. Air dry.

Toy bar and toys – Wipe clean with a damp cloth and mild soap. Air dry. Do not immerse in water.

Frame – Wipe the metal frame with soft, clean cloth and mild soap.



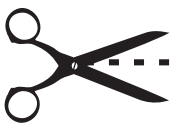
Warranty Against Defects

All Love N Care products are guaranteed for twelve months from the date of purchase. Our goods come with guarantees that cannot be excluded under the Australian Consumer Law.

You are entitled to a replacement or refund for a major failure and for compensation for any other reasonably foreseeable loss or damage. You are also entitled to have the goods repaired or replaced if the goods fail to be of acceptable quality and the failure does not amount to a major failure. This covers against faults which develop through faulty materials and workmanship.

Misuse, accidental damages, normal wear and tear or neglect are not covered. If a fault becomes apparent, please return the item to the store of purchase with your receipt. You must inform the store what the defect is. We will then arrange for its repair or it will be assessed for replacement as expediently as possible. The benefits of this warranty are in addition to other right and remedies under the law in relation to the goods or services to which this warranty relates. If you are unable to return the item to the store of purchase, you can contact Love N Care on free call 1300 732 599.

Where you send the product directly to the manufacturer then you may be liable for the costs of transportation to and from Love N Care. Love N Care will meet the reasonable expenses incurred by a consumer in making a warranty claim. You can claim expenses incurred in making a claim by contacting our customer service team on 1300 732 599 or by email at info@lovenecare.com.au



12 MONTH WARRANTY

Please fill in this section to validate your warranty and send to: **297 Canterbury Rd Revesby NSW 2212**

Name: _____

Store Purchased: _____

Address: _____

Date Purchased: _____

Product Name/No. _____

Contact Us

Head Office:

Love N Care Pty Ltd.
297-299 Canterbury Rd, Revesby

NSW 2212 Australia

Contact No: 02 9774 4655

Email: info@lovencare.au

Website: www.lovencare.au

loveⁿcare

Let's be friends!

 <http://www.facebook.com/lovencare1>

 http://twitter.com/love_ncare



100% AUSTRALIAN OWNED SINCE 1984