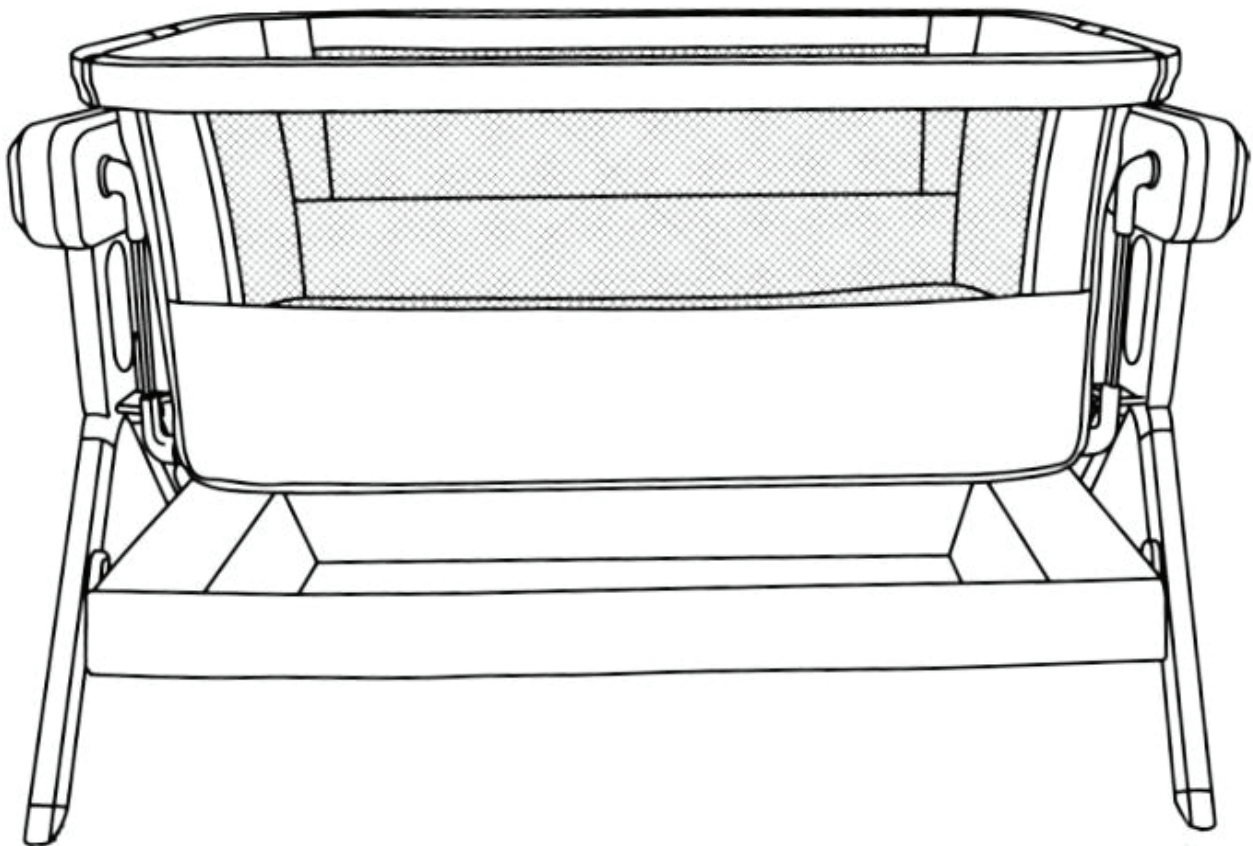


love^hcare™

BP 950

Glide Sleeper

Instruction Manual



**IMPORTANT! READ AND FOLLOW THESE INSTRUCTIONS CAREFULLY
AND KEEP FOR FUTURE REFERENCE**

Warranty Against Defects

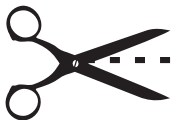
All Love N Care products are guaranteed for twelve months from the date of purchase. Our goods come with guarantees that cannot be excluded under the Australian Consumer Law.

You are entitled to a replacement or refund for a major failure and for compensation for any other reasonably foreseeable loss or damage.

You are also entitled to have the goods repaired or replaced if the goods fail to be of acceptable quality and the failure does not amount to a major failure. This covers against faults which develop through faulty materials and workmanship.

Misuse, accidental damages, normal wear and tear or neglect are not covered. If a fault becomes apparent, please return the item to the store of purchase with your receipt. You must inform the store what the defect is. We will then arrange for its repair or it will be assessed for replacement as expediently as possible. The benefits of this warranty are in addition to other right and remedies under the law in relation to the goods or services to which this warranty relates. If you are unable to return the item to the store of purchase, you can contact Love N Care on free call 1300 732 599.

Where you send the product directly to the manufacturer then you may be liable for the costs of transportation to and from Love N Care. Love N Care will meet the reasonable expenses incurred by a consumer in making a warranty claim. You can claim expenses incurred in making a claim by contacting our customer service team on 1300 732 599 or by email at info@lovenecare.com.au



12 MONTH WARRANTY

Please fill in this section to validate your warranty and send to: **297 Canterbury Rd Revesby NSW 2212**

Name: _____

Store Purchased: _____

Address: _____

Date Purchased: _____

Product Name/No. _____

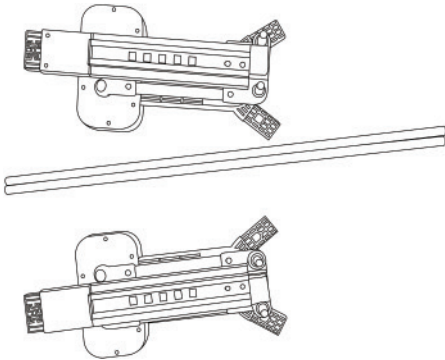


RETAIN FOR FUTURE REFERENCE.

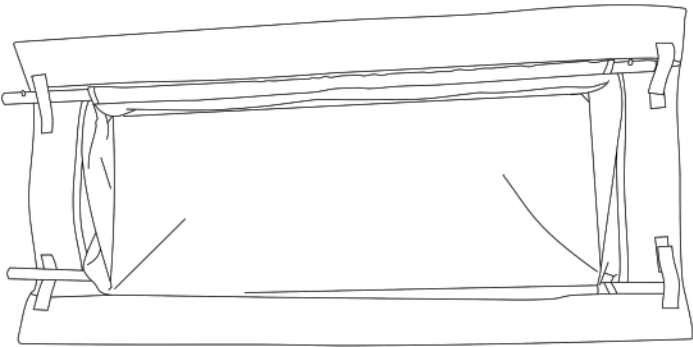
READ CAREFULLY BEFORE ASSEMBLING AND USING THE PRODUCT

- **WARNING:** Do not use this product without reading the instructions first.
- **WARNING:** The cot should no longer be used when the child can sit up, kneel up or stand up unaided.
- **WARNING:** Placing additional elements in the cot may cause asphyxiation.
- **WARNING:** Do not place the product near any other products that could cause a danger of asphyxiation or strangulation, for example: strings, curtains, cords, etc.
- The assembly elements must always be securely fastened and inspected. This is to ensure they do not collapse and to prevent any of the elements from coming loose. This is important to avoid your child or your child's clothing being trapped and causing strangulation.
- The crib should always be placed on a horizontal floor.
- Gaps should not be filled with pillows, blankets or other items.
- **DO NOT** let children play near the crib without supervision.
- When the child is unsupervised in the crib, make sure that the rail is always up, correctly fastened in place and that the zips are fully closed.
- **DO NOT** use the product if any of the parts are broken, damaged or missing. Contact **LOVE N CARE** for replacement parts and extra instructions if necessary. **DO NOT** replace any of the parts yourself.
- **DO NOT** use accessories that have not been approved by the manufacturer.
- Make sure that all of the assembly devices are correctly fitted, as well as the locking devices.
- Never use the cover without the metal structure.
- **WARNING:** To avoid the risk of your child's neck being caught on the top rail next to the adult bed, please ensure this rail is not higher than the adult bed mattress.
- **WARNING:** To avoid the risk of strangulation, the attachment system to the adult bed and electrical cable should always be kept out of the crib and out of reach.
- **WARNING:** Do not use more than one mattress in the crib.
- **WARNING:** To prevent the risk of fire: avoid placing the crib close to a fire or other sources of heat, such as electric or gas heating devices, etc.
- To avoid the risk of falls and suffocation, never put two or more mattresses in the cot.
- **WARNING:** Only use the mattress that comes with the crib.
- **DANGER!** Always raise the drop side up completely when the crib is not attached to the adult bed.
- **DO NOT** use the crib with following types of adults beds:
 - The adult bed height is less than 49cm from floor to top of adult mattress.
 - The adult bed width is more than 180cm.
- **WARNING:** This bedside sleeper is suitable for a bed with an independent bed edge component, which can be attached with the anchor strap from the bedside sleeper.
- **WARNING:** Never add a sleep aid to the crib that is higher than the red line printed on the lining of the crib.
- **WARNING:** This product is intended for use for babies aged between 0 -6 months, weighing up to a maximum 9 kg

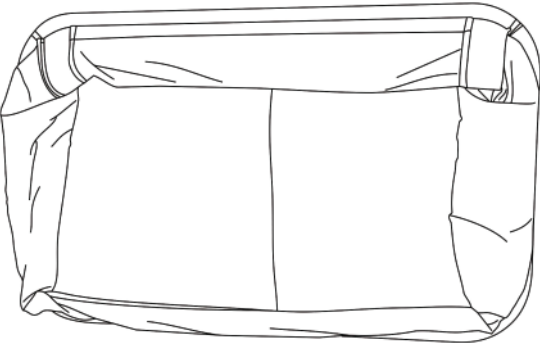
Parts List



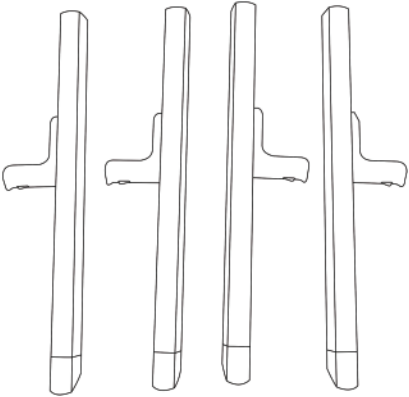
End Supports



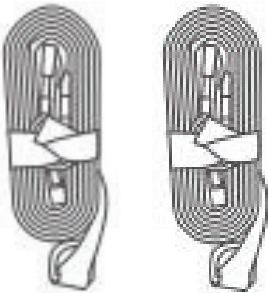
Basket



Frame with Dressing



Legs

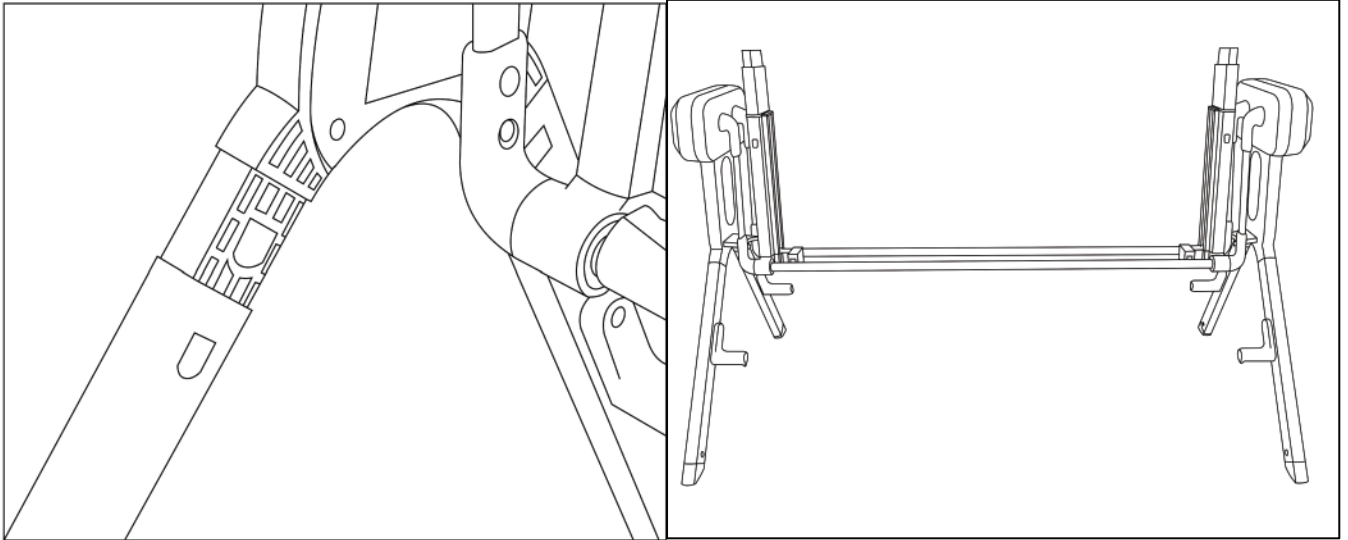


Bed Straps

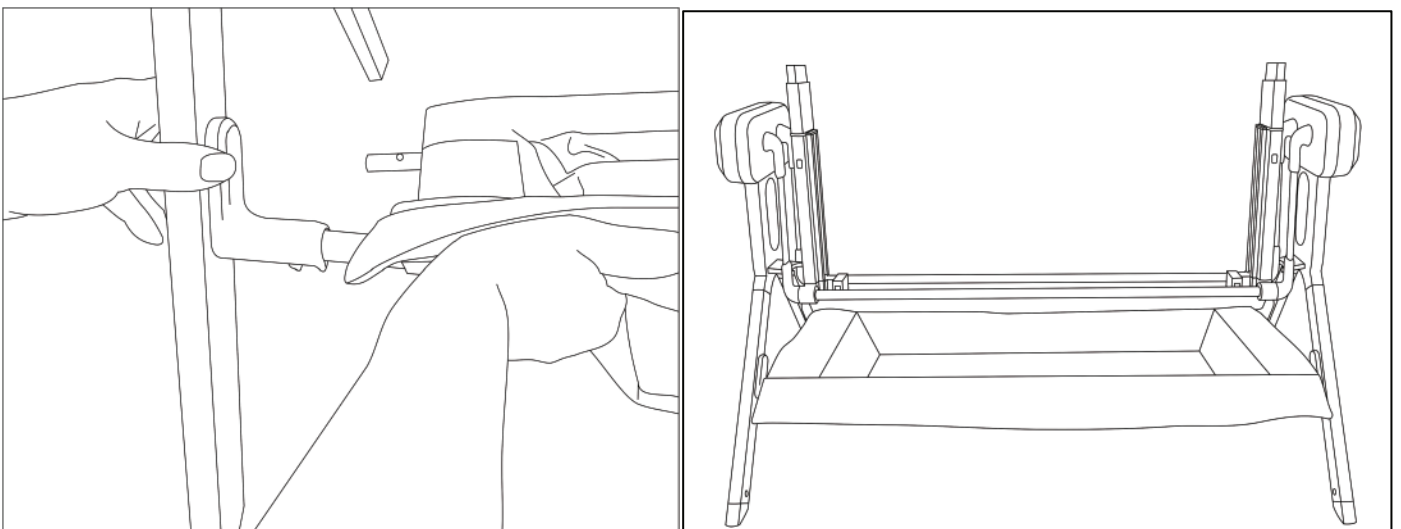


Mattress

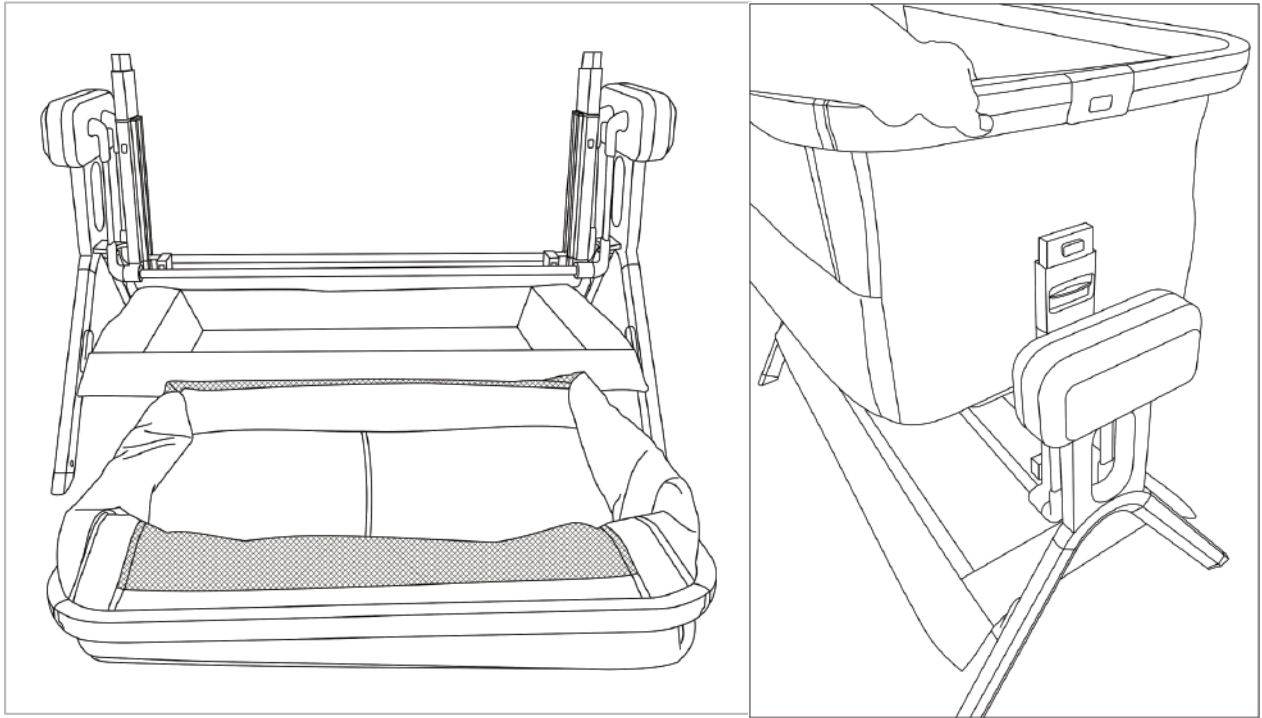
Assembly



1. Connect all 4 legs to both of the end supports.
2. Connect the 2 end support units together using the round bars

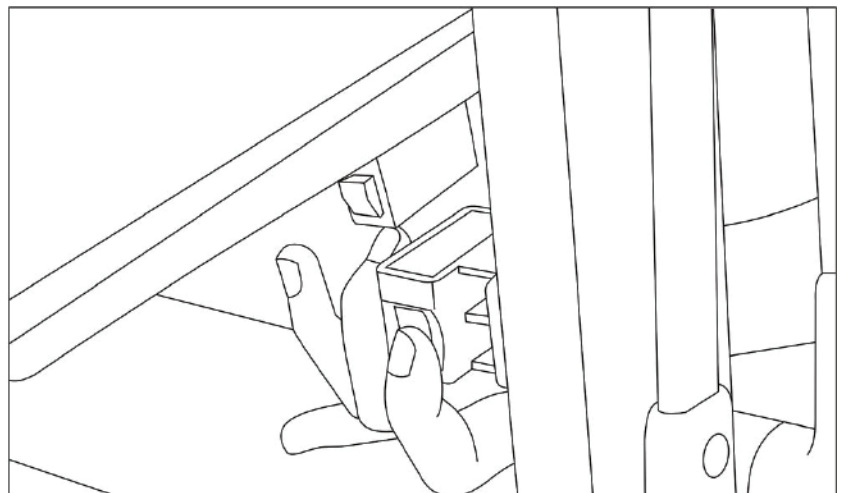
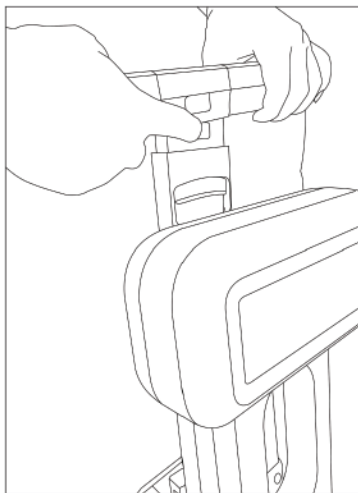


3. Feed the basket bars through the fabric and connect them to the end support units.



4. Line the frame up with the support unit.

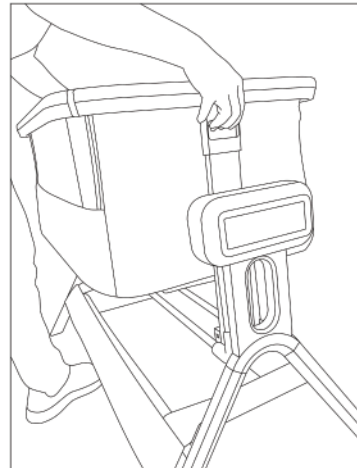
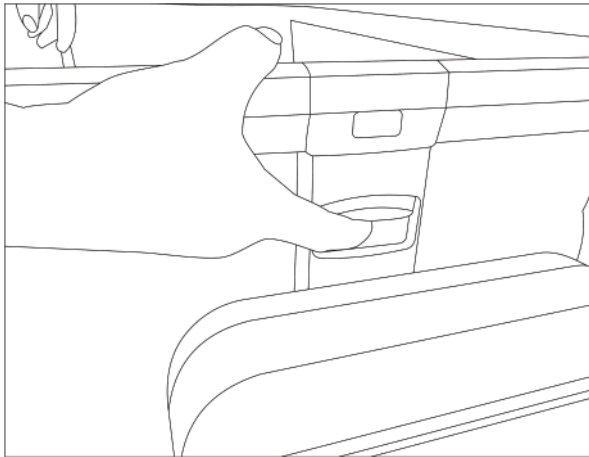
5. Sit the frame onto the clips coming up from the end support units.



6. Press in the locking clip in order to connect the frame to the support units on both sides.

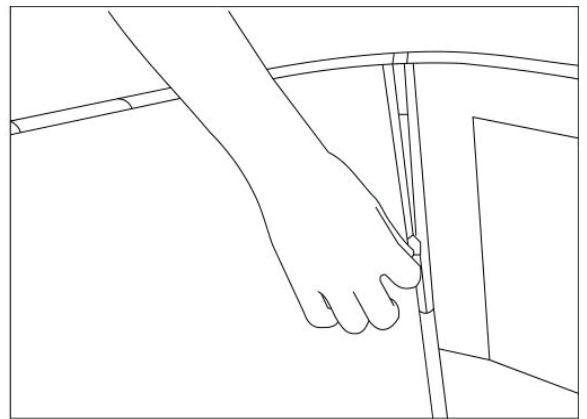
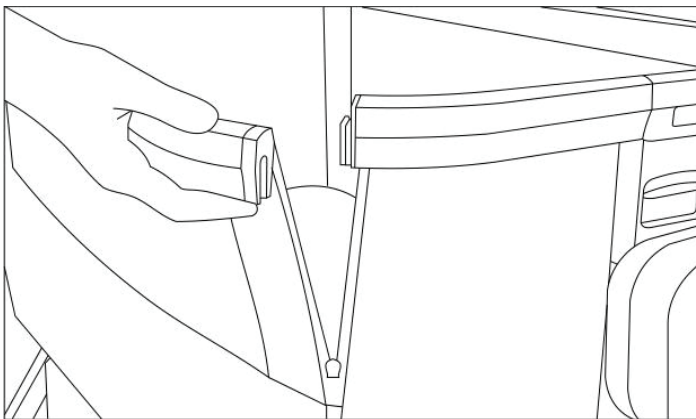
7. Under the body of the crib, connect the base of the crib to the clips on both ends.

Adjusting the Height



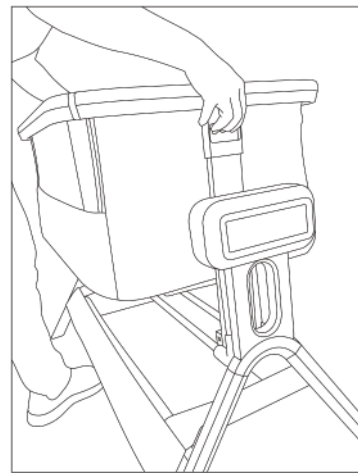
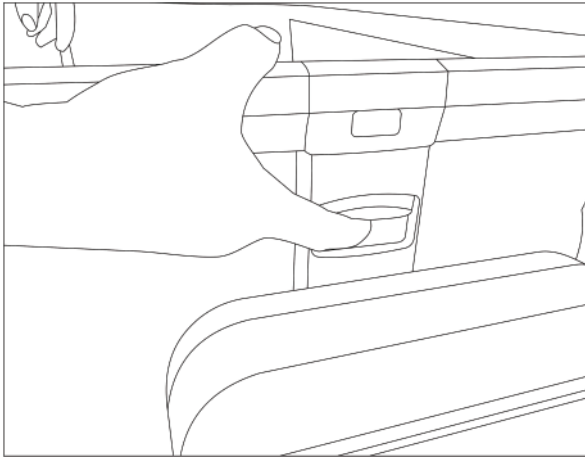
- A. Release the lever on both sides of the crib.
- B. Lift up or let down the height of the crib unit. This can also be angled to help with reflux.

Co-Sleeping Mode



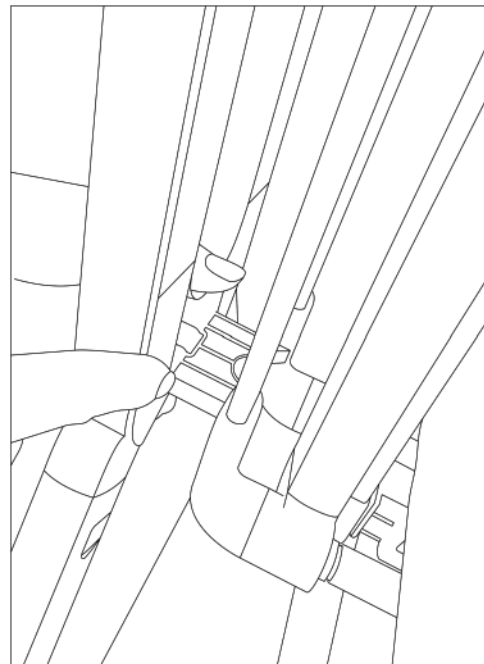
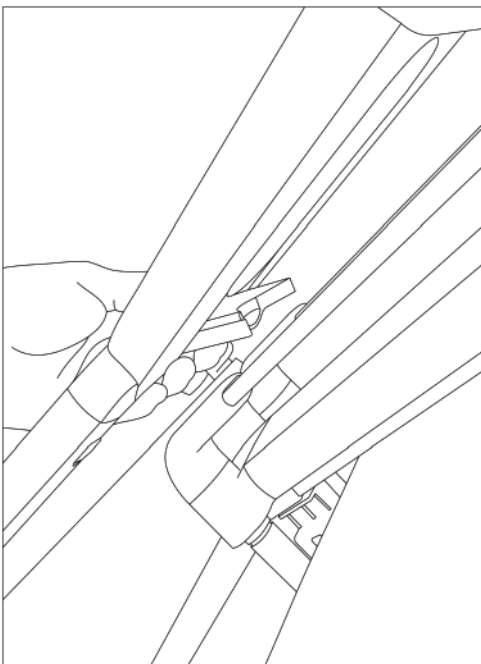
- A. Lower the zip on the inside of the crib on both sides to the bottom.
- B. Press the buttons under the frame on both sides and slide the frame upwards until it is released from the clips.
- C. allow the section to hang

Co-Sleeping Mode



D. Adjust the height of the crib so the top of the lowered section is below or in line with the top of your mattress.

WARNING - Co-Sleeping mode should not be used if the adult mattress is lower in height than the lowest section of the dropped side of the crib.

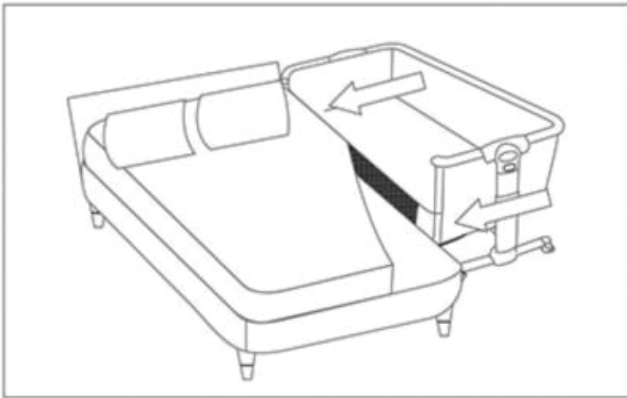


E. Lock the glide function by engaging the stoppers on both sides of the crib.
F. using your hand, pull down the stoppers like in the images above.
G. Connect the bed straps provided around the base of your bed and connect them to the base of the crib.

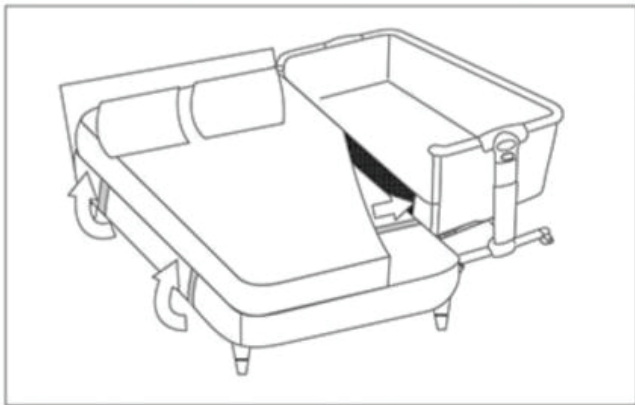
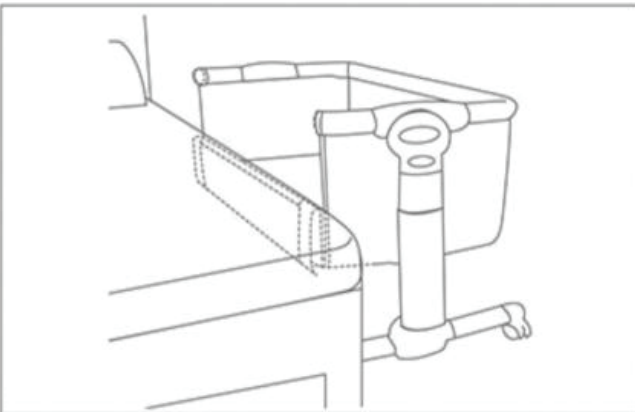
WARNING

Always ensure there is no more than a 2cm gap between your mattress and the side of the crib.

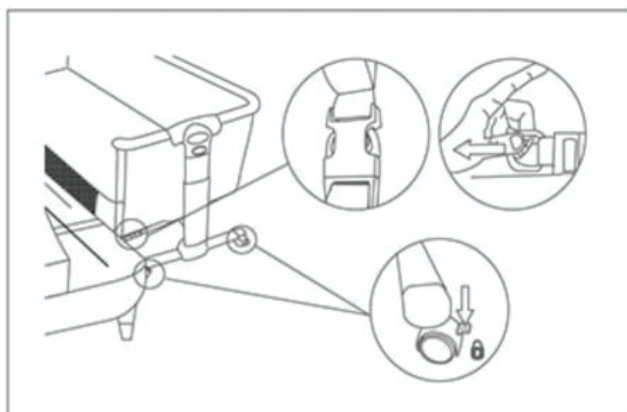
Attaching to Adult bed for Co-Sleeping Mode



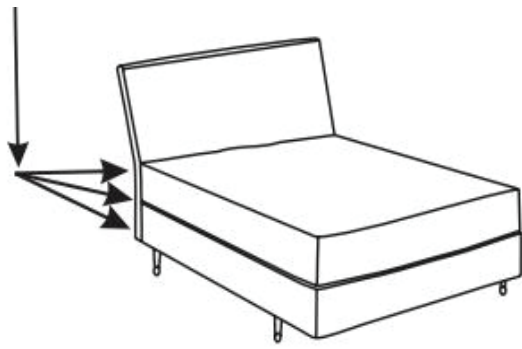
With the crib rail in the lower position, place the crib close to the bed. Check the height of the sleeper against the height of the bed. The height of the open side edge of the crib should always be aligned with or lower than the height of the bed mattress.



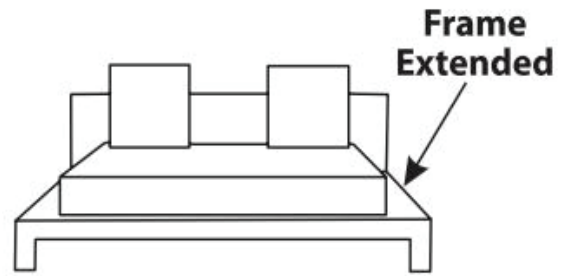
To fix the sleeper securely to the bed, pull the anchor straps from under the bedside sleeper and slide under and over the bed base. Lock the buckles under the bedside sleeper and tighten the straps until the sleeper is firmly attached.



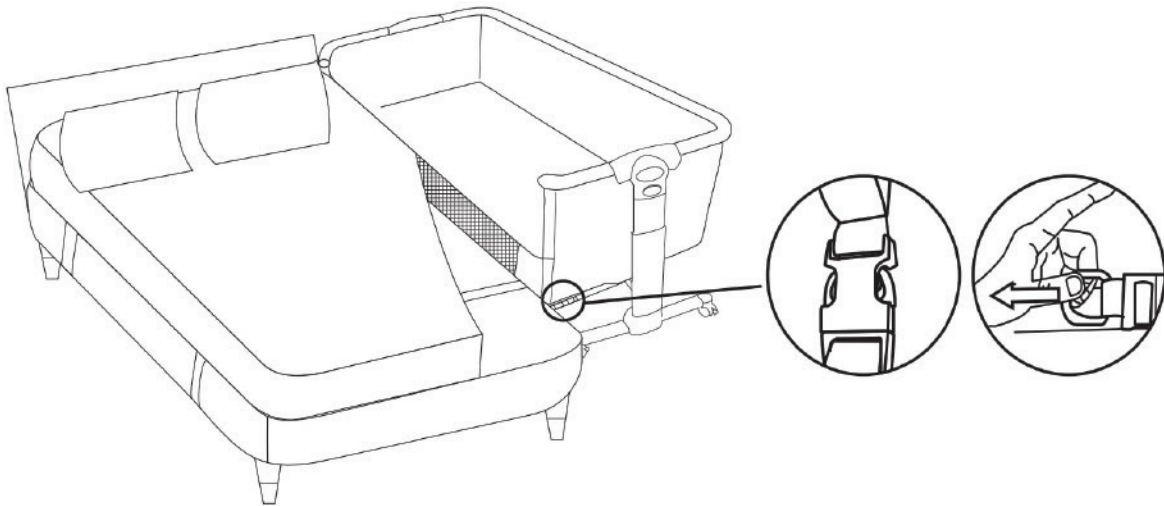
Mattress, boxsprings
& frame aligned



Acceptable: bed frame in-line



Unacceptable: bed mattress,
boxspring frame not in-line

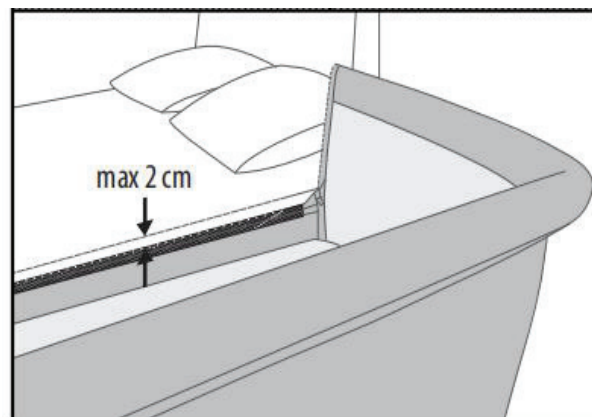


NEVER use the bedside sleeper in the co-sleeping position without the anchor strap attached around the adult bed base and buckled under the bedside sleeper.

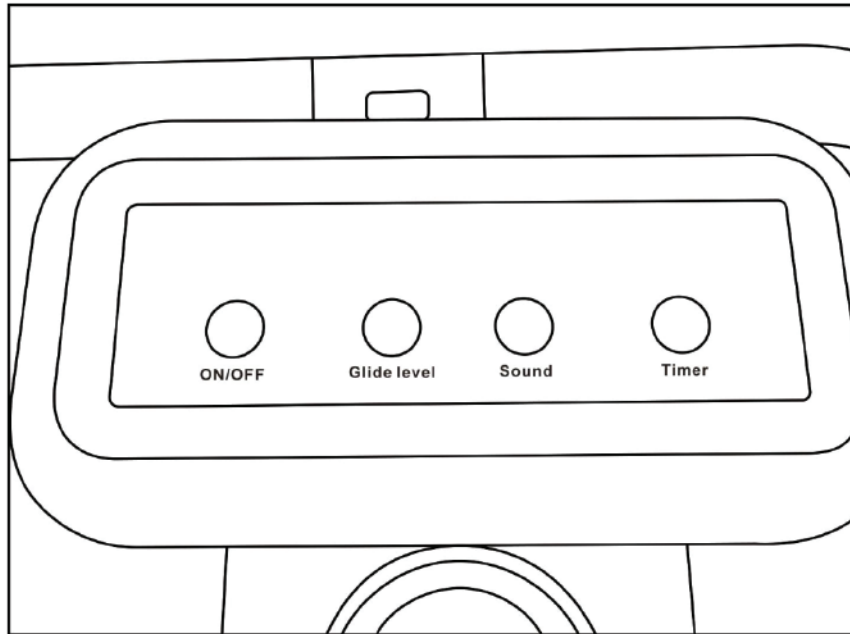
Ensure the anchor strap is securely buckled and tightly pulled.

WARNING:

**There must be no more than 2cm
gap between bedside sleeper
and adult bed.**



Using the control Panel



ON/OFF

Pressing once switches the unit on and off.

GLIDE LEVEL

The Co Sleeper has 3 levels. Pressing once moves it to the next speed.

WARNING-Always ensure the glide stoppers are not in place before switching on.

SOUND

The Co Sleeper comes with 3 pre-loaded songs built into it.

Pressing once plays the first song

Press and hold to move to the next track.

Track 3 is white noise

VOLUME

The volume is controlled by the arrows above the sound button.

TIMER

The glide function can be set on the timer for 15 mins or 30 mins.

Pressing once will change the time.

Contact Us

Head Office:

Love N Care Pty Ltd.
297-299 Canterbury Rd, Revesby
NSW 2212 Australia
Contact No: 02 9774 4655
Email: info@lovencare.au
Website: www.lovencare.au

loveⁿcare

Let's be friends!

 <http://www.facebook.com/lovencare1>

 http://twitter.com/love_ncare

 100 % AUSTRALIAN OWNED SINCE 1984