

love^hcare™

HK C200

HERA COT



**IMPORTANT: PLEASE READ THESE INSTRUCTIONS
AND KEEP FOR FUTURE REFERENCE**



WARNING



Safety guidelines and instructions must always be followed before making use of this product, please retain these instructions for future reference.

This product complies with product standard:

AS/NZS 2172:2013 Cots for household use - Safety Requirements

Trades Practices Act 1974 - Consumer Protection Notice No.6 of 2005

RECOMMENDED MATTRESS SIZE 1300mm X 690mm X 130mm

This cot has been manufactured for use with a mattress which measures 690mm wide by 1300mm long and 130 mm in thickness.

The width and length are specific because it is important that the gaps between the mattress and the sides and ends of the cot will not exceed 40mm when the mattress is pushed to one side or end, and 20 mm when the mattress is centred in the cot. The thickness of the mattress has been specified to ensure that the depth of the cot is greater than 500 mm with the mattress base in the lower position to minimise the risk of a child climbing or falling out of the cot.

WARNING:

- **TO ENSURE THE SAFETY OF YOUR COT, REGULARLY CHECK ALL THE CONNECTING BOLTS AND GLIDE PINS MAKING SURE THEY ARE TIGHT.**
- **TO PREVENT FALLS OR SUFFOCATION THE MAXIMUM MATTRESS THICKNESS SHOULD NOT EXCEED 130MM**
- **WARNING: TO PREVENT FALLS, THE MATTRESS BASE OF THIS COT SHOULD BE ADJUSTED TO THE LOWEST POSITION BEFORE THE CHILD CAN SIT UP.**
- Follow the manufacturer's assembly instructions in detail to ensure the safety features of the cot are not compromised.
- Please ensure the cot is placed at a reasonable distance from curtains, blinds, heaters and power points.
- Keep cot free of any toys, cushions etc that could be used as a foothold or present a danger of suffocation or strangulation.
- Please Keep medication, String, elastic or small items such as money out of reach from any position in the cot.

The manufacturer's assembly instructions must be followed in detail to ensure all the safety features of the cot are not compromised.

WARNING: TO PREVENT FALLS, THE MAXIMUM MATTRESS THICKNESS SHOULD NOT EXCEED 130mm.

The highest mattress base position is the safest position for newborns. You should use this position until the child is able to sit up unassisted. Then the lowest base position should be used.

Use only spare parts approved by Love N Care.

Regularly check that nuts, bolts and fittings are tightened properly. Loose fittings should be retightened as necessary. Loose fittings can result in snagging clothes or cords posing a risk of strangulation. This cot bed is intended for use for children from birth to approximately 4 years of age.

Children are likely to play, bounce, jump and climb on beds, therefore the child's bed should not be placed too close to other furniture or windows and should be either tight to the wall or have a gap of 300mm between the wall and side of the bed.

Warranty Against Defects

All Love N Care products are guaranteed for twelve months from the date of purchase. Our goods come with guarantees that cannot be excluded under the Australian Consumer Law.

You are entitled to a replacement or refund for a major failure and for compensation for any other reasonably foreseeable loss or damage.

You are also entitled to have the goods repaired or replaced if the goods fail to be of acceptable quality and the failure does not amount to a major failure. This covers against faults which develop through faulty materials and workmanship.

Misuse, accidental damages, normal wear and tear or neglect are not covered. If a fault becomes apparent, please return the item to the store of purchase with your receipt. You must inform the store what the defect is. We will then arrange for its repair or it will be assessed for replacement as expediently as possible. The benefits of this warranty are in addition to other right and remedies under the law in relation to the goods or services to which this warranty relates. If you are unable to return the item to the store of purchase, you can contact Love N Care on free call 1300 732 599.

Where you send the product directly to the manufacturer then you may be liable for the costs of transportation to and from Love N Care. Love N Care will meet the reasonable expenses incurred by a consumer in making a warranty claim. You can claim expenses incurred in making a claim by contacting our customer service team on 1300 732 599 or by email at info@lovencare.com.au

CARE AND MAINTENANCE

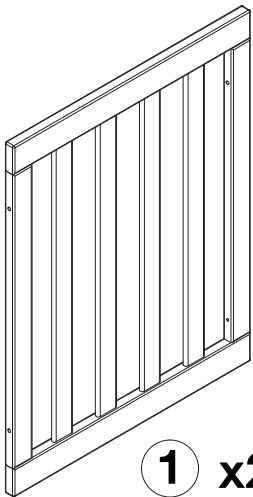
All love n care products have one year warranty from the date of purchase. It is recommended to regularly inspect and maintain movement of locking devices and security of essential components.

Regularly check all parts for wear and tear.

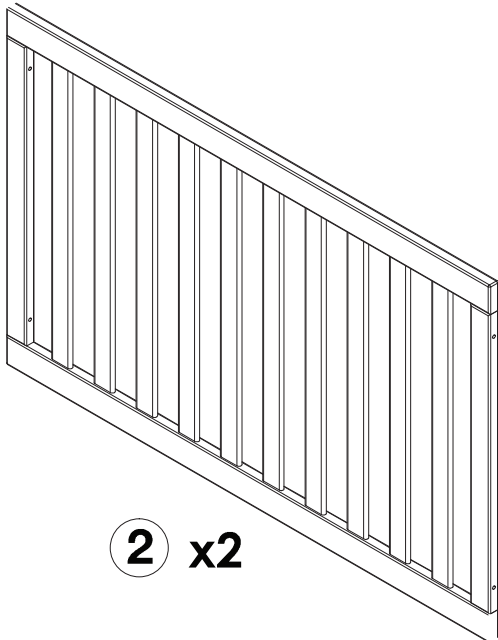
Your furniture may be cleaned by wiping with a damp cloth and drying with a soft clean cloth. Do not use abrasives, bleach, alcohol or ammonia-based household polishes. Take care when handling or moving the furniture.

Careless handling may cause damage. Check the cots screws and locks to make sure they are all kept in good working order. If any of the parts are missing or broken you should contact the manufacturer and discontinue Using the cot until they are replaced.

Parts and Hardware



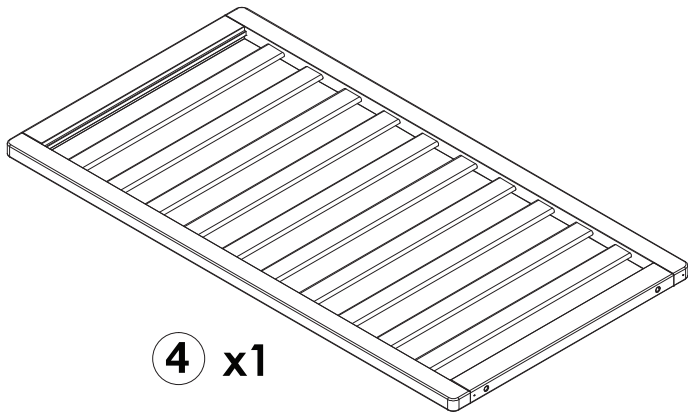
① x2



② x2

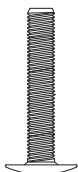


③ x4



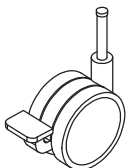
④ x1

A



20x

B



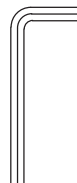
2x

C



2x

D

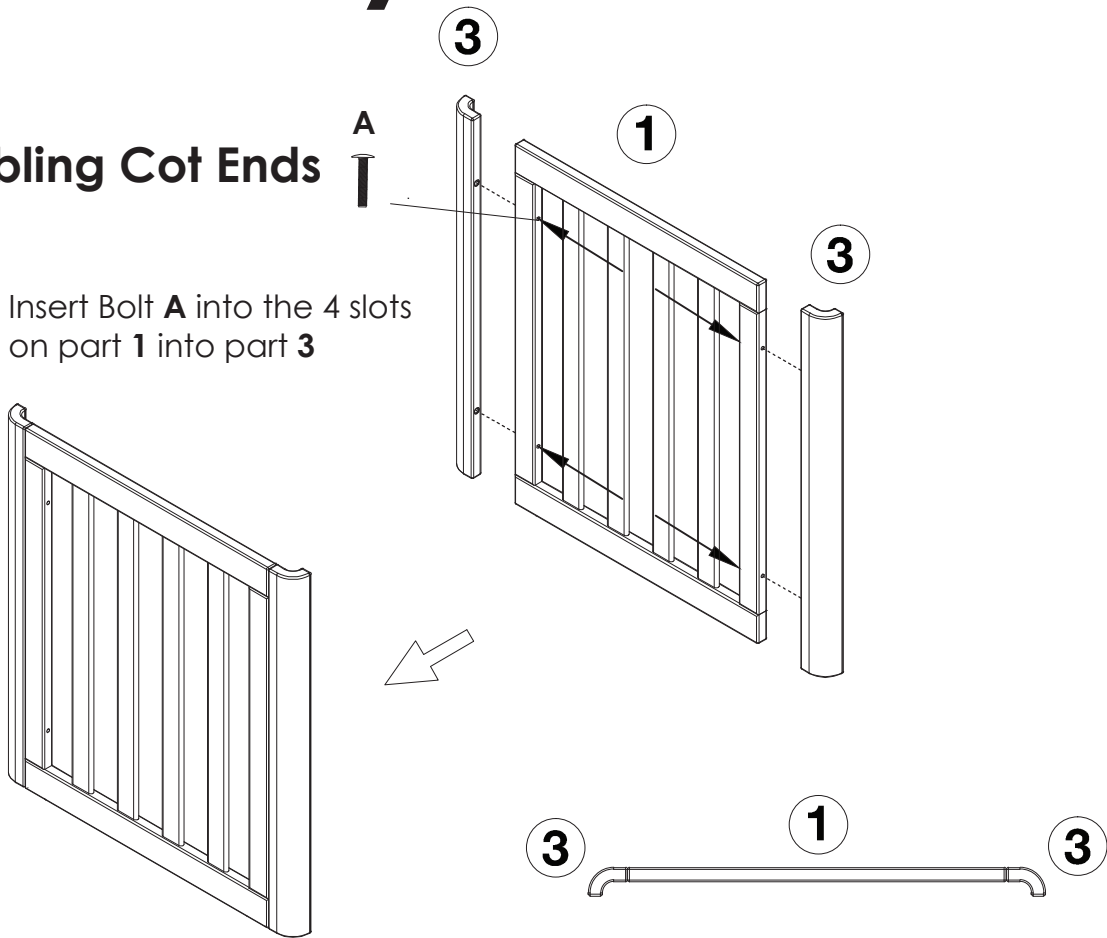


1x

Assembly

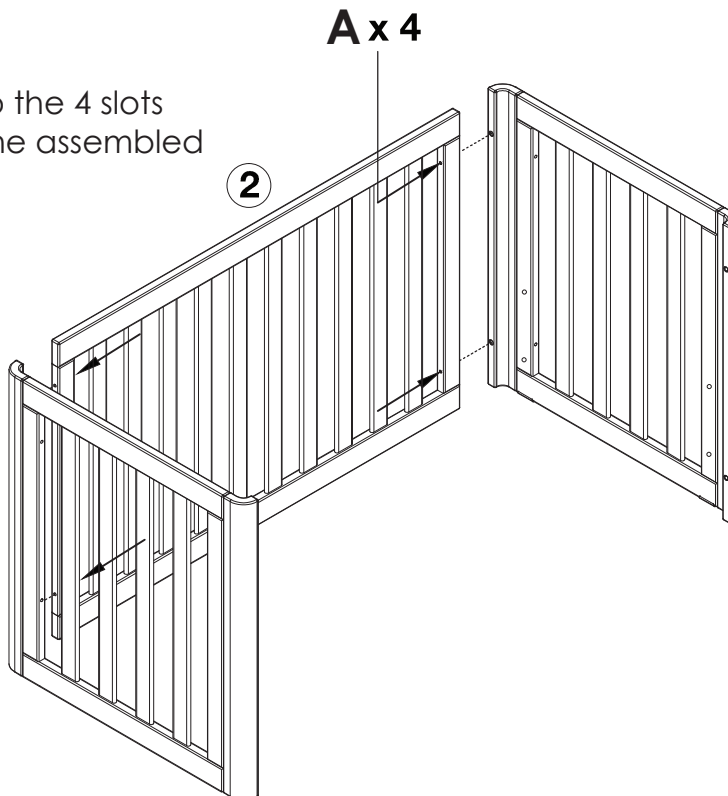
Assembling Cot Ends

Insert Bolt **A** into the 4 slots on part **1** into part **3**

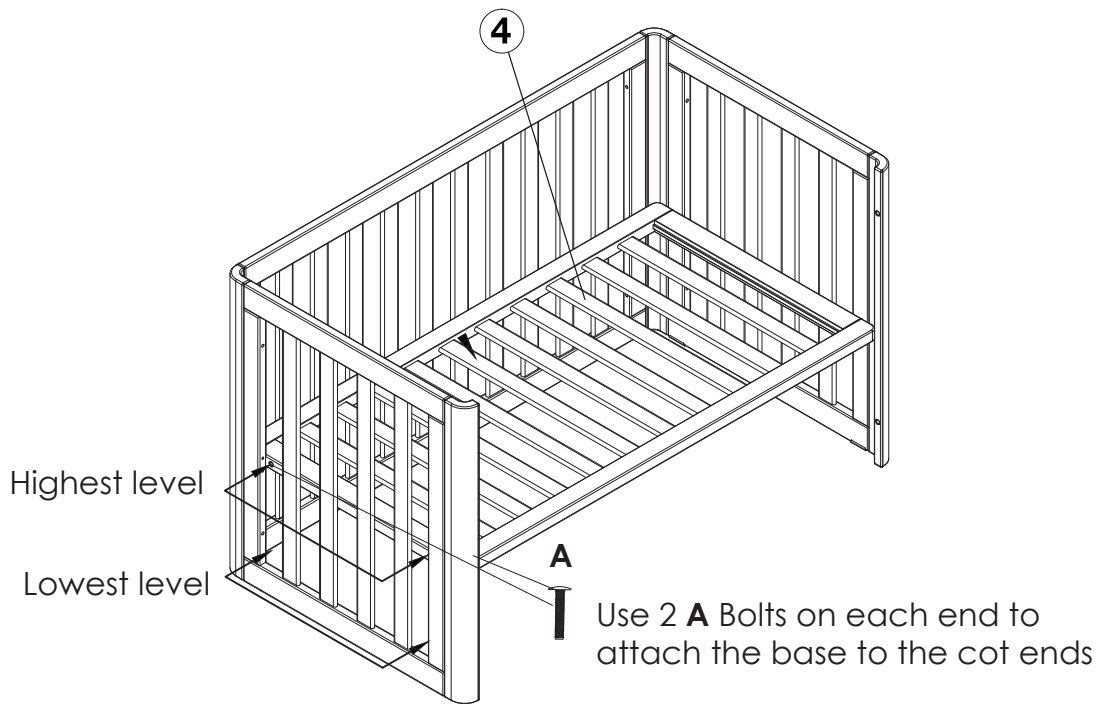


Attaching the sides to the Cot Ends

Insert Bolt **A** into the 4 slots on part **2** into the assembled cot ends



Attaching the base to the sides and ends

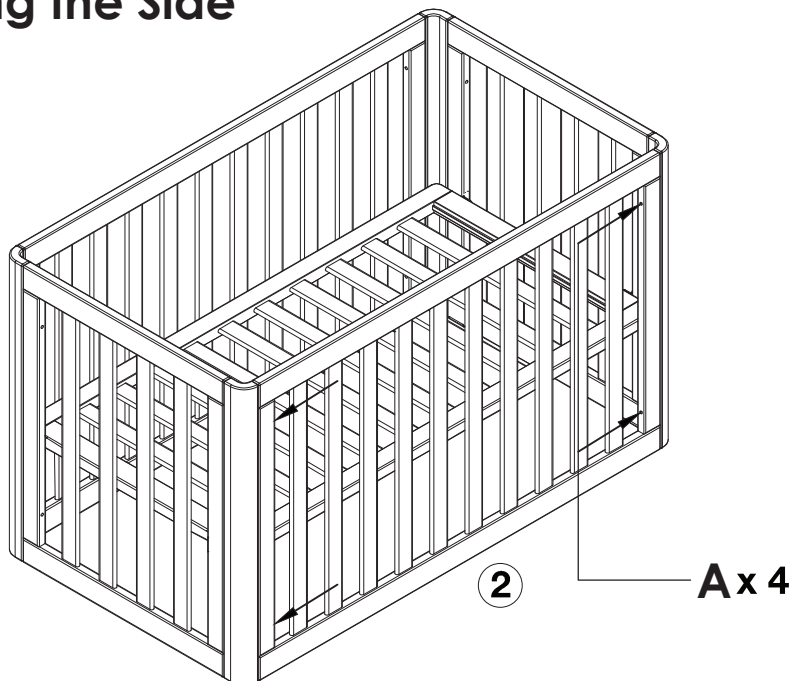


Attention: 2 base levels.

Select highest base level for newborns.

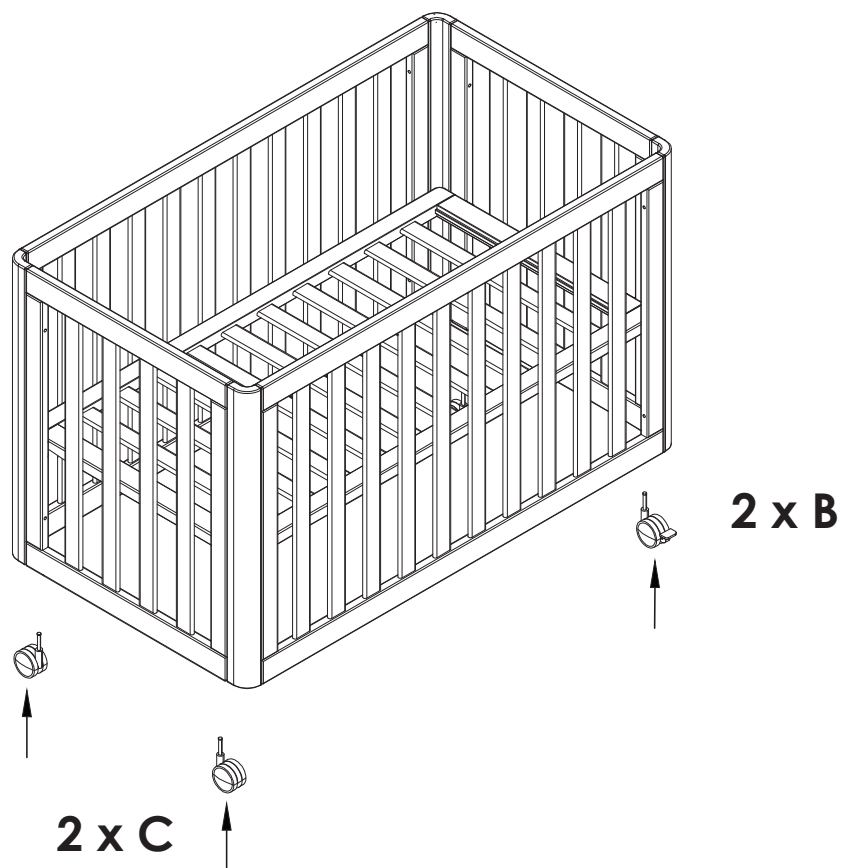
Select Lowest level when child can sit up unassisted.

Attaching the Side



Use 4 Bolt **A** to complete the side attachment

Attaching the Wheels



Assemble Cot in Lowest level



Contact Us

Head Office:

Love N Care Pty Ltd.
297-299 Canterbury Rd, Revesby

NSW 2212 Australia

Contact No: 02 9774 4655

Email: info@lovencare.au

Website: www.lovencare.au

loveⁿcare

Let's be friends!

 <http://www.facebook.com/lovencare1>

 http://twitter.com/love_ncare



100% AUSTRALIAN OWNED SINCE 1984